

| | |
|---------------|-----------------|
| date of issue | document number |
| 2022-10-13 | SLY-ZHX-05 |

| | | |
|----------------|-------------------|---------|
| work out | Auditing | ratify |
| Xiang- ping | Chen Zhanliang | Lai Wei |

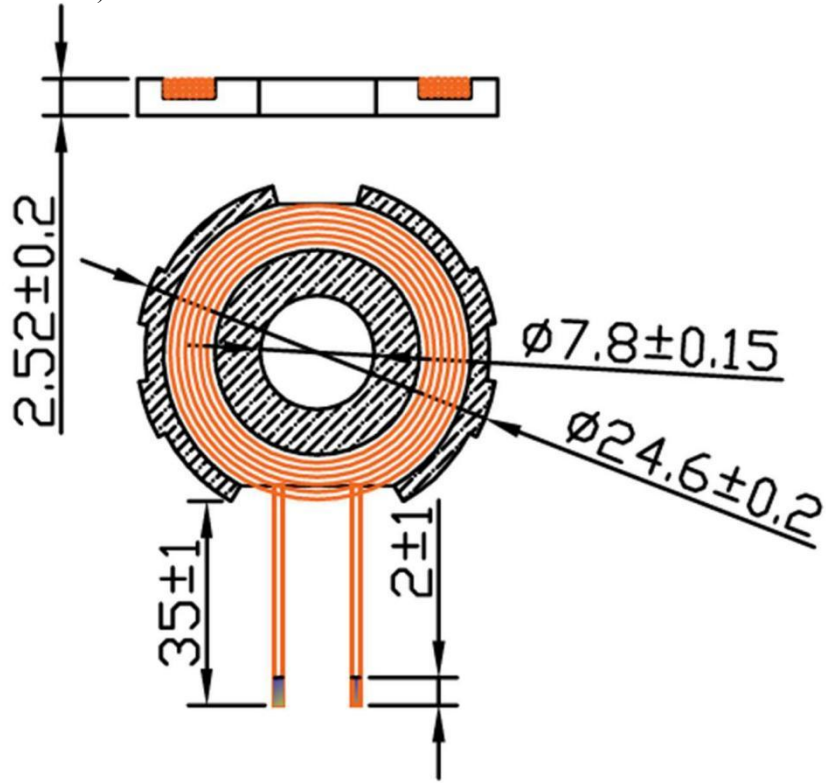
| | | | | |
|--|-----------------|------------|-------------------|------------|
| 深圳市深联宇电子有限公司 Shenzhen Shenlianyu Electronics Co., Ltd | document number | SLY-ZHX-05 | date of issue | 2022-10-20 |
| | edition | A | availability date | 2022-10-20 |
| HD-Series sample admission | Revision times | 0 | page | 1 /2 |

| edition | 更改履历 Change your resume | person | time |
|---------|-------------------------|------------------|------------|
| A | new issue : 2022年10月20日 | Xiang-ping zhang | 2022-10-20 |
| B | | | |
| C | | | |
| | | | |

| | | | | |
|--|-----------------|------------|-------------------|------------|
| 深圳市深联宇电子有限公司 Shenzhen Shenlianyu Electronics Co., Ltd | document number | SLY-ZHX-05 | date of issue | 2022-10-20 |
| | edition | A | availability date | 2022-10-20 |
| HD-Series sample admission | Revision times | 0 | page | 1 / 2 |

1.外形尺寸:(单位: mm)

Overall dimensions: (unit: mm)



2. 电气特性 Electrical characteristics:

| | | | | |
|---------------------------|--------------------------|----------------|-----------|--|
| inductance value | $6.5\mu\text{H} \pm 5\%$ | test condition | 100KHz/1V | 测试仪器 test instruments: 数字电桥 TH2817C+ digital electric bridge TH2817C+ |
| direct-current resistance | 120mΩ Max | test condition | 100KHz/1V | |
| Q value | ≥ 30 | test condition | 100KHz/1V | |

3. 材料:

(1)磁片: 橡胶磁罐 D25

(2)铜线: 0.08*24

(3)绕线方式: 逆时针 12 圈

3. Material:

(1) Magnetic sheet: rubber magnetic tank D25

(2) copper wire: 0.08 * 24

(3) Winding mode: 12 laps counterclockwise

4. 电性图 Electrical diagram::

