

FCC PART 15 SUBPART C

Power Bank

MODEL No.: PN-W35

FCC ID: 2A4LH-PNW35

REPORT NO.:NCT24029832XE1-1

ISSUE DATE: Jul. 24, 2024

Prepared for

Shenzhen Pannizhe Technology Co., Ltd.

2nd Floor 7th Building Tiankou Industrial Park
Huangtian Xixiang Town Baoan District Shenzhen, China 518128

Prepared by

Shenzhen NCT Testing Technology Co., Ltd.

A101&2F B2, Fuqiao 6th Area, Xintian Community, Fuhai Street, Baoan District,
Shenzhen, People's Republic of China

TEL: 400-8868-419

FAX: 86-755-27790922

TABLE OF CONTENT

Test Report Description	Page
1. SUMMARY OF TEST RESULTS	5
2. GENERAL INFORMATION	6
2.1. Description of Device (EUT)	6
2.2. Description of Support Units	6
2.3. Independent Operation Modes	7
2.4. Test Mode	7
2.5. Description of Test Facility	8
2.6. Measurement Uncertainty	9
3. MEASURING DEVICE AND TEST EQUIPMENT	10
4. 20DB BANDWIDTH	12
4.1. Test Procedure	12
4.2. Test Results	12
5. POWER LINE CONDUCTED EMISSION MEASUREMENT	14
5.1. Block Diagram of Test Setup	14
5.2. Limits	14
5.3. Test Procedure	14
5.4. Measuring Results	15
6. RADIATED EMISSION TEST	18
6.1. Measurement Procedure	18
6.2. Test SET-UP (Block Diagram of Configuration)	18
6.3. Radiated Emission Limit	19
6.4. Measurement Result	21
7. TEST PHOTOGRAPHS AND EUT PHOTOGRAPHS	24

TEST REPORT DESCRIPTION

Applicant : Shenzhen Pannizhe Technology Co., Ltd.
Address : 2nd Floor 7th Building Tiankou Industrial Park Huangtian
Xixiang Town Baoan District Shenzhen, China 518128
Manufacturer : Shenzhen Pannizhe Technology Co., Ltd.
Address : 2nd Floor 7th Building Tiankou Industrial Park Huangtian
Xixiang Town Baoan District Shenzhen, China 518128
EUT : Power Bank
Model Name : PN-W35
Trademark : N/A

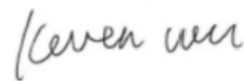
Measurement Procedure Used:

APPLICABLE STANDARDS	
STANDARD	TEST RESULT
FCC 47 CFR Part 15, Subpart C	PASS

The above equipment was tested by Shenzhen NCT Testing Technology Co., Ltd. The test data, data evaluation, test procedures, and equipment configurations shown in this report were made in accordance with the procedures given in ANSI C63.10 (2013) and the energy emitted by the sample EUT tested as described in this report is in compliance with conducted and radiated emission limits of FCC Rules Part 15C

The test results of this report relate only to the tested sample identified in this report.

Test Engineer:



Keven Wu / Engineer

Technical Manager:



Henry Wang / Manager



Modified Information

Version	Report No.	Revision Data	Summary
Ver.1.0	NCT24029832XE1-1	Jul. 24, 2024	Original Version

1. SUMMARY OF TEST RESULTS

Test Item	Section in CFR 47	Result
Antenna requirement	15.203	Pass
AC Power Line Conducted Emission	15.207	Pass
Spurious Emission	15.209(a)(f)	Pass
20dB Bandwidth	15.215	Pass

2. GENERAL INFORMATION

2.1. Description of Device (EUT)

EUT	:	Power Bank
Model Number	:	PN-W35
Model different	:	N/A
Power Rating	:	Battery Capacity: 3.85V/10000mAh 38.5Wh USB-C Input : 5Vdc, 3A ; 9Vdc, 2A; 12Vdc, 1.5A USB-C Output :5Vdc, 3A ; 9Vdc, 2.22A; 12Vdc, 1.67A Lightning Input: 5Vdc, 2A Wireless Output1: 5W, 7.5W, 10W, 15W(Phone) Wireless Output2: 2.5W(Watch)
Operation	:	110-205 KHz for Phone
Frequency for WPT	:	300-350 kHz for Watch
Modulation	:	MSK
Antenna Type:	:	Coil Antenna
Date of Received	:	Jul. 15, 2024
Date of Test	:	Jul. 15, 2024 to Jul. 23, 2024

2.2. Description of Support Units

The EUT has been tested as an independent unit together with other necessary accessories or support units. The following support units or accessories were used to form a representative test configuration during the tests.

Item	Equipment	Mfr/Brand	Model/Type No.	Series No.	Note
E-1	Power Bank	N/A	PN-W35	N/A	EUT
E-2	Phone	N/A	iPhone 13	N/A	Auxiliary
E-3	Adapter	N/A	X2903	N/A	Auxiliary
E-4	iWatch	N/A	iWatch 5	N/A	Auxiliary

Note: (1)The support equipment was authorized by Declaration of Confirmation.
 (2)For detachable type I/O cable should be specified the length in cm in 『Length』 column.

2.3. Independent Operation Modes

Test Mode	Description	Remark()
Mode 1	Wireless Output1 (5W)	5%
Mode 2		50%
Mode 3		95%
Mode 4	Wireless Output1 (7.5W)	5%
Mode 5		50%
Mode 6		95%
Mode 7	Wireless Output1 (10W)	5%
Mode 8		50%
Mode 9		95%
Mode 10	Wireless Output1 (15W)	5%
Mode 11		50%
Mode 12		95%
Mode 13	Wireless Output2 (2.5W)	5%
Mode 14		50%
Mode 15		95%
Mode 16	Wireless Output1 (5W) +Wireless Output2 (2.5W)	5%
Mode 17		50%
Mode 18		95%
Mode 19	Wireless Output1 (7.5W) +Wireless Output2 (2.5W)	5%
Mode 20		50%
Mode 21		95%
Mode 22	Wireless Output1 (10W) +Wireless Output2 (2.5W)	5%
Mode 23		50%
Mode 24		95%
Mode 25	Wireless Output1 (15W) +Wireless Output2 (2.5W)	5%
Mode 26		50%
Mode 27		95%
Mode 28	USB-C Output	5%
Mode 29		50%
Mode 30		95%
Mode 31	Wireless Output1 (15W) +Wireless Output2 (2.5W) +USB-C Output	5%
Mode 32		50%
Mode 33		95%
Mode 34	Adapter+USB-C Input + Wireless Output1 (15W) +Wireless Output2 (2.5W)	5%
Mode 35		50%
Mode 36		95%
Remark: All the modes have tested and recorded the worst mode (Full Load) in the report		

2.4. Test Mode

Test Items	Test Voltage	Operation Modes
Full Load	DC 3.85V	Mode 25
Charging	AC 120V/60Hz	Mode 34

2.5. Description of Test Facility

Site Description

EMC Lab. : Accredited by CNAS, 2022-09-27
The certificate is valid until 2028.01.07
The Laboratory has been assessed and proved to be in compliance with
CNAS-CL01:2006 (identical to ISO/IEC 17025:2017)
The Certificate Registration Number is L8251

Designation Number: CN1347
Test Firm Registration Number: 894804
Accredited by A2LA, June 14, 2023
The Certificate Registration Number is 6837.01

Accredited by Industry Canada, November 09, 2018
The Conformity Assessment Body Identifier is CN0150
Company Number: 30806

Name of Firm : Shenzhen NCT Testing Technology Co., Ltd.
Site Location : A101&2F B2, Fuqiao 6th Area, Xintian Community, Fuhai Street, Baoan
District, Shenzhen, People's Republic of China

2.6. Measurement Uncertainty

Parameter	Uncertainty
RF output power, conducted	±1.0dB
Power Spectral Density, conducted	±2.2dB
Radio Frequency	± 1 x 10 ⁻⁶
Bandwidth	± 1.5 x 10 ⁻⁶
Time	±2%
Duty Cycle	±2%
Temperature	±1°C
Humidity	±5%
DC and low frequency voltages	±3%
Conducted Emissions (150kHz~30MHz)	±3.64dB
Radiated Emission(9kHz~30MHz)	±4.51dB
Radiated Emission(30MHz~1GHz)	±5.03dB
Radiated Emission(1GHz~25GHz)	±4.74dB

3. MEASURING DEVICE AND TEST EQUIPMENT

Radiated emission & Radio Frequency Test Equipment

Name	Model No.	Serial No.	Manufacturer	Date of Cal.	Due Date
966 Shielded Room	966 Room	/	EMToni	2022/5/31	2025/5/30
EMI Test Receiver	ESCI	101178	Rohde & Schwarz	2024/6/17	2025/6/16
Spectrum Analyze (10Hz-26.5GHz)	N9020A	MY50510202	Agilent	2024/6/17	2025/6/16
Amplifi (30MHz-1GHz)	BBV 9743 B	00374	SCHNARZBECK	2024/6/17	2025/6/16
Bilog Antenna (30MHz-1GHz)	VULB9162	00473	SCHNARZBECK	2023/3/19	2025/3/18
Horn antenna (1GHz-18GHz)	BBHA 9120 D	02622	SCHNARZBECK	2023/3/19	2025/3/18
Pream plifier (1GHz-18GHz)	BBV 9718D	0024	SCHNARZBECK	2024/6/17	2025/6/16
Spectrum Analyze (10Hz-40GHz)	FSV 40	100952	Rohde & Schwarz	2024/6/17	2025/6/16
Pream plifier (18GHz-40GHz)	BBV 9721	0056	SCHNARZBECK	2024/6/17	2025/6/16
Double Ridge Guide Horn Antenna (18GHz-40GHz)	SAS-574	588	A.H.System	2023/3/19	2025/3/18
Loop Antenna (9KHz-30MHz)	FMZB1519B	014	SCHNARZBECK	2024/6/17	2025/6/16
Amplifier (9KHz-30MHz)	CVP 9222 C	00109	SCHNARZBECK	2024/6/17	2025/6/16
MXG Signal Analyzer	N9020A	MY50510202	Agilent	2024/6/17	2025/6/16
MXG Vector Signal Generator	N5182A	MY50140020	Agilent	2024/6/17	2025/6/16
MXG Analog Signal Generator	N5181A	MY47420919	Agilent	2024/6/17	2025/6/16
Power Sensor	TR1029-2	512364	Techoy	2024/6/17	2025/6/16
RF Swith	TR1029-1	512364	Techoy	2024/6/17	2025/6/16
Cable	DA800- 4000MM	NA	DA	2024/6/17	2025/6/16
Cable	DA800- 11000MM	NA	DA	2024/6/17	2025/6/16

Conducted emission Test Equipment

Name	Model No.	Serial No.	Manufacturer	Date of Cal.	Due Date
944 Shielded Room	944 Room	/	EMToni	2022/5/31	2025/5/30
EMI Test Receiver	ESPI	101604	Rohde & Schwarz	2024/6/17	2025/6/16
LISN	ENV 216	102796	Rohde & Schwarz	2024/6/17	2025/6/16
LISN	VN1-13S	004023	CRANAGE	2024/6/17	2025/6/16
Cable	RG223-1500MM	NA	RG	2024/6/17	2025/6/16

Other

Item	Name	Manufacturer	Model	Software version
1	EMC Conduction Test System	AUDIX	e3	6.120718
2	EMC radiation test system	AUDIX	e3	6.120718
3	RF test system	TACHOY	RFTest	V1.0.0
4	RF communication test system	TACHOY	RFTest	V1.0.0

4. 20DB BANDWIDTH

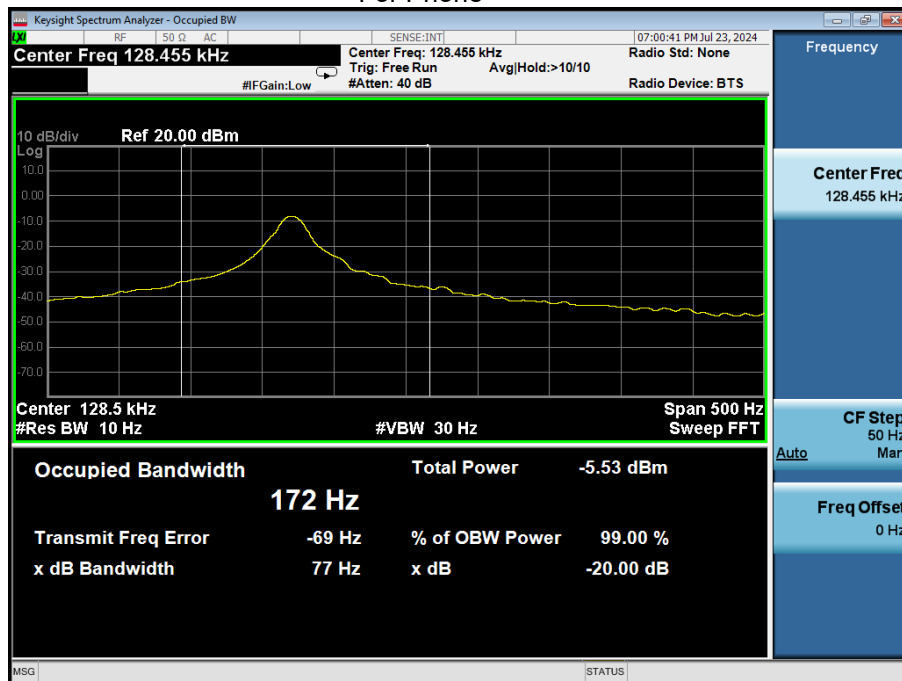
4.1. Test Procedure

Set to the maximum power setting and enable the EUT transmit continuously
 Set RBW = 1-5%OBW.
 Set the video bandwidth (VBW) =3RBW.
 Set Span= 1kHz
 Set Detector = Peak.
 Set Trace mode = max hold.
 Set Sweep = auto couple.
 Measure and record the results in the test report.

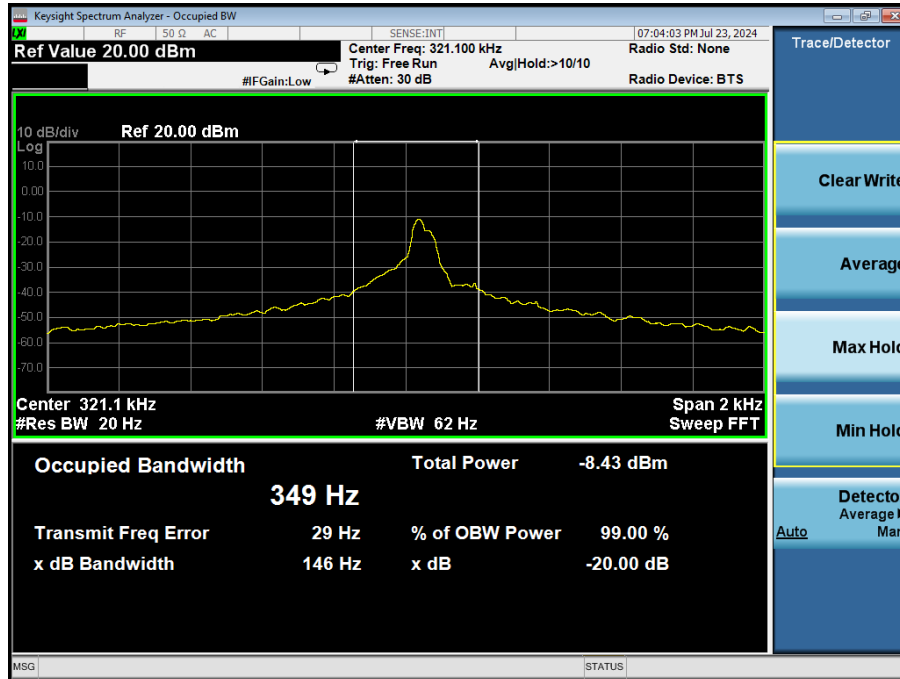
4.2. Test Results

	Frequency (KHz)	20dB bandwidth (Hz)	99% bandwidth (Hz)	Result
For Phone	128.5	77	172	Pass
For Watch	321.1	146	349	Pass

For Phone

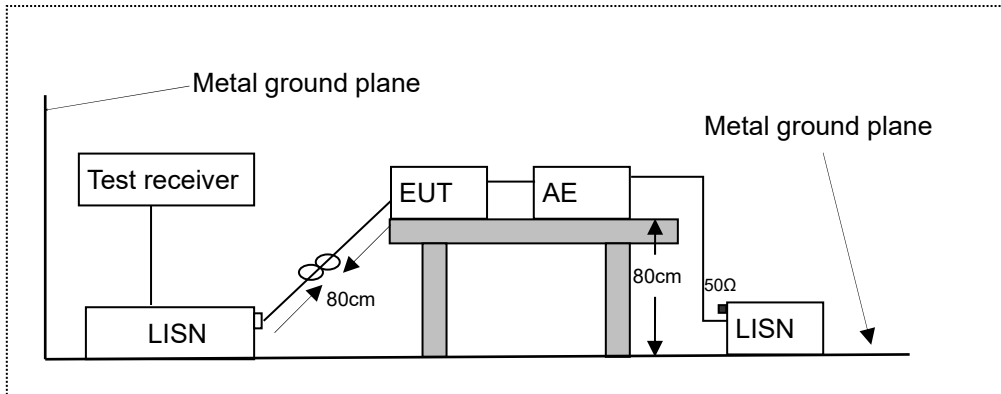


For Watch



5. POWER LINE CONDUCTED EMISSION MEASUREMENT

5.1. Block Diagram of Test Setup



LISN: Line Impedance Stabilization Network
 AE: Associated equipment
 EUT: Equipment under test

5.2. Limits

FCC Part 15.207

Frequency (MHz)	Limit (dB μ V)	
	Quasi-peak Level	Average Level
0.15 ~ 0.50	66.0 ~ 56.0 *	56.0 ~ 46.0 *
0.50 ~ 5.00	56.0	46.0
5.00 ~ 30.00	60.0	50.0

NOTE1-The lower limit shall apply at the transition frequencies.
 NOTE2-The limit decreases linearly with the logarithm of the frequency in the range 0.15MHz to 0.50MHz.

5.3. Test Procedure

The EUT was placed on a desk 0.8 m height from the metal ground plane and 0.4 m from the conducting wall of the shielding room and it was kept at least 0.8 m from any other grounded conducting surface. The size of the table will nominally be 1.5 m x1.0 m.

The rear of the arrangement shall be flush with the back of the supporting tabletop unless that would not be possible or typical of normal use.

All units of equipment forming the system under test (includes the EUT as well as connected peripherals and associated equipment or devices) shall be arranged such that a nominal 0.1 m separation is achieved between the neighboring units.

Connect EUT to the power mains through a line impedance stabilization network (LISN). Where the mains cable supplied by the manufacturer is longer than 1 m, the excess should be folded at the centre into a bundle no longer than 0.4 m, so that its length is shortened to 1 m.

All the support units are connecting to the other LISN.

The LISN provides 50 ohm coupling impedance for the measuring instrument.

Both sides of AC line were checked for maximum conducted interference.

The frequency range from 150 kHz to 30 MHz was sweep.

Set the test-receiver system to quasi peak detect function and average detect function, and to measure the conducted emissions values.

Test results were obtained from the following equation:

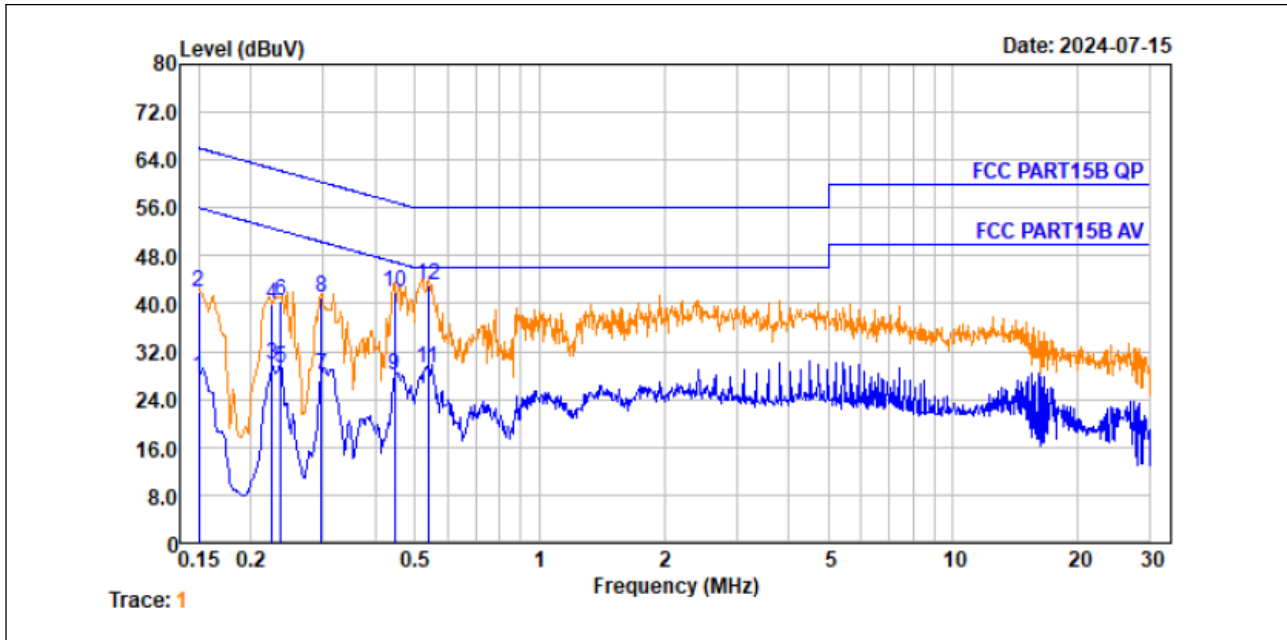
Emission Level (dB μ V) = LISN Factor (dB) + Cable Loss (dB) + Reading (dB μ V)

Margin (dB) = Emission Level (dB μ V) - Limit (dB μ V)

5.4. Measuring Results

PASS.

Temperature:	26°C	Relative Humidity:	54%
Pressure:	101kPa	Phase :	L
Test Voltage :	AC 120V/60Hz	Mode:	Mode 34

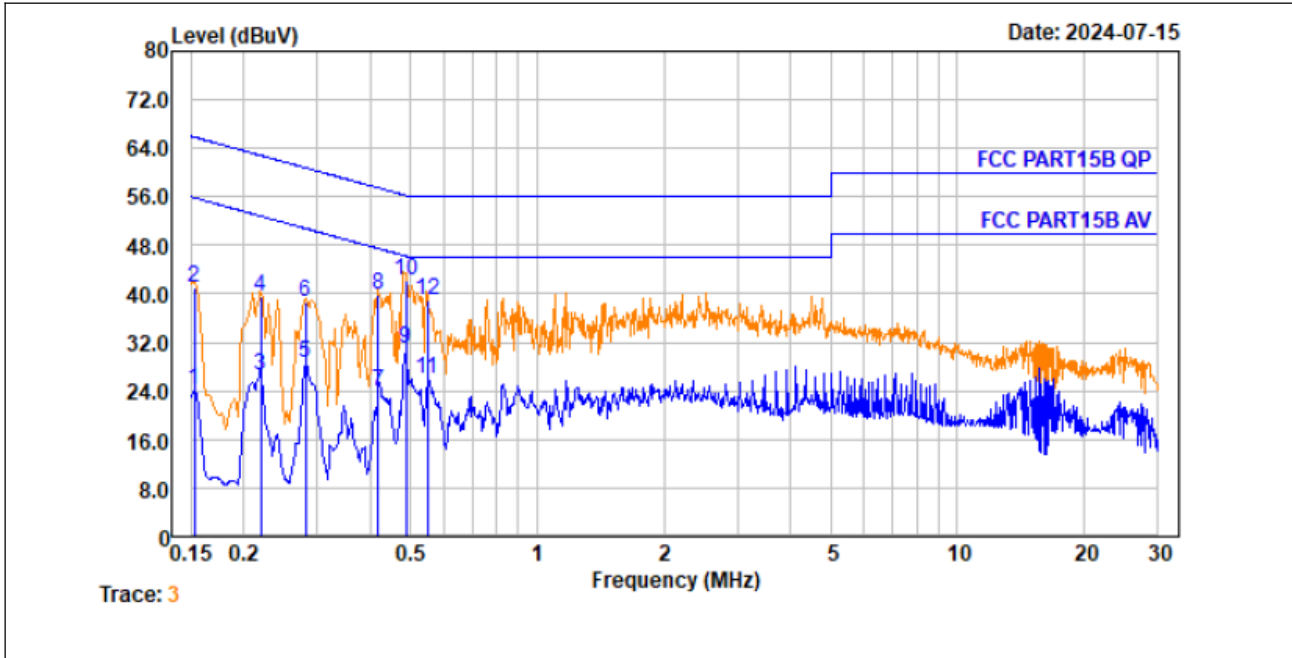


No.	Freq MHz	Cable Loss dB	LISN Factor dB/m	Aux Factor dB	Receiver Reading dBuV	Emission Level dBuV/m	Limit dBuV/m	Over Limit dB	Remark
1.	0.150	0.08	9.54	0.00	18.27	27.89	56.00	-28.11	Average
2.	0.150	0.08	9.54	0.00	32.27	41.89	66.00	-24.11	QP
3.	0.226	0.10	9.55	0.00	20.14	29.79	52.61	-22.82	Average
4.	0.226	0.10	9.55	0.00	30.14	39.79	62.61	-22.82	QP
5.	0.237	0.10	9.55	0.00	19.70	29.35	52.22	-22.87	Average
6.	0.237	0.10	9.55	0.00	30.70	40.35	62.22	-21.87	QP
7.	0.297	0.11	9.56	0.00	18.46	28.13	50.32	-22.19	Average
8.	0.297	0.11	9.56	0.00	31.46	41.13	60.32	-19.19	QP
9.	0.447	0.07	9.57	0.00	18.38	28.02	46.93	-18.91	Average
10.	0.447	0.07	9.57	0.00	32.38	42.02	56.93	-14.91	QP
11.	0.538	0.06	9.57	0.00	19.57	29.20	46.00	-16.80	Average
12.	0.538	0.06	9.57	0.00	33.57	43.20	56.00	-12.80	QP

Notes:

1. An initial pre-scan was performed on the line and neutral lines with peak detector.
2. Quasi-Peak and Average measurement were performed at the frequencies with maximized peak emission.
3. Measurement Level = Reading level + Correct Factor

Temperature:	26°C	Relative Humidity:	54%
Pressure:	101kPa	Phase :	N
Test Voltage :	AC 120V/60Hz	Mode:	Mode 34



No.	Freq MHz	Cable Loss dB	LISN Factor dB/m	Aux Factor dB	Receiver Reading dBUV	Emission Level dBUV/m	Limit dBUV/m	Over Limit dB	Remark
1.	0.153	0.08	9.53	0.00	14.56	24.17	55.82	-31.65	Average
2.	0.153	0.08	9.53	0.00	31.56	41.17	65.82	-24.65	QP
3.	0.220	0.10	9.55	0.00	16.80	26.45	52.83	-26.38	Average
4.	0.220	0.10	9.55	0.00	29.80	39.45	62.83	-23.38	QP
5.	0.282	0.11	9.56	0.00	18.88	28.55	50.76	-22.21	Average
6.	0.282	0.11	9.56	0.00	28.88	38.55	60.76	-22.21	QP
7.	0.419	0.08	9.57	0.00	14.25	23.90	47.46	-23.56	Average
8.	0.419	0.08	9.57	0.00	30.25	39.90	57.46	-17.56	QP
9.	0.486	0.06	9.58	0.00	21.46	31.10	46.23	-15.13	Average
10.	0.486	0.06	9.58	0.00	32.46	42.10	56.23	-14.13	QP
11.	0.549	0.06	9.58	0.00	16.45	26.09	46.00	-19.91	Average
12.	0.549	0.06	9.58	0.00	29.45	39.09	56.00	-16.91	QP

Notes:
 1. An initial pre-scan was performed on the line and neutral lines with peak detector.
 2. Quasi-Peak and Average measurement were performed at the frequencies with maximized peak emission.
 3. Measurement Level = Reading level + Correct Factor

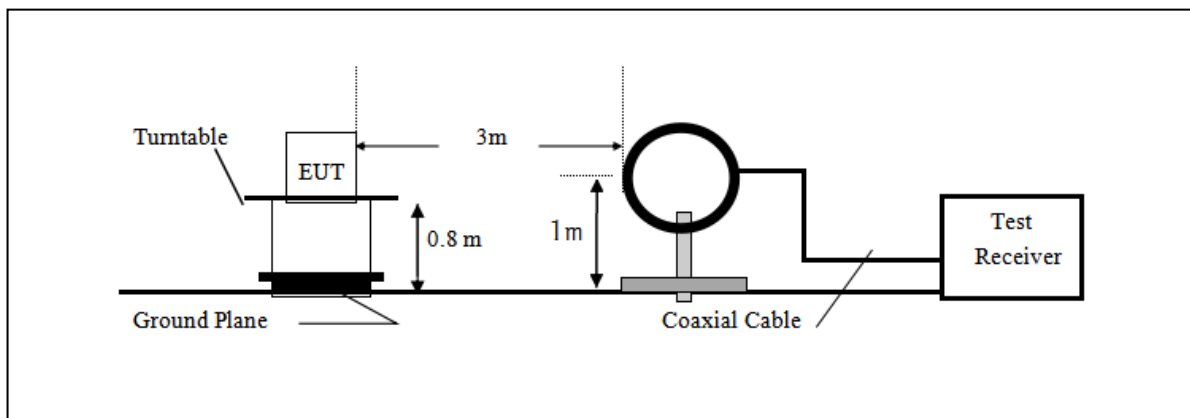
6. RADIATED EMISSION TEST

6.1. Measurement Procedure

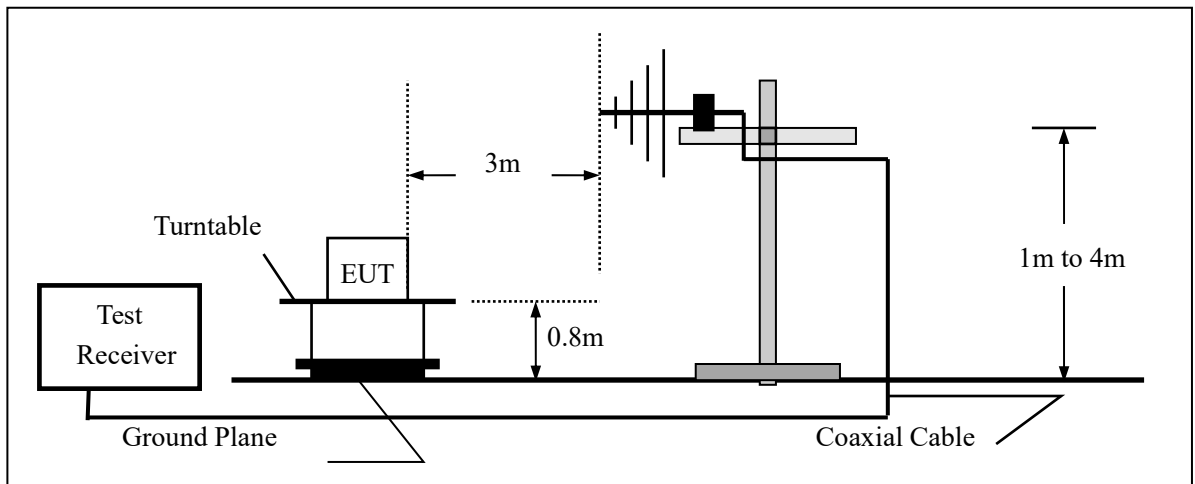
1. The EUT was placed on a turn table which is 0.8m above ground plane.
2. Maximum procedure was performed on the six highest emissions to ensure EUT compliance.
3. And also, each emission was to be maximized by changing the polarization of receiving antenna both horizontal and vertical.
4. Repeat above procedures until all frequency measured were complete.
5. Use the following receiver/spectrum analyzer settings:
Span = wide enough to fully capture the emission being measured
RBW=200Hz for 9KHz to 150KHz,
RBW=9kHz for 150KHz to 30MHz,
RBW=120KHz for 30MHz to 1GHz
VBW \geq 3*RBW
Sweep = auto
Detector function = QP
Trace = max hold

6.2. Test SET-UP (Block Diagram of Configuration)

(A) Radiated Emission Test Set-Up, Frequency Below 30MHz



(B) Radiated Emission Test Set-Up, Frequency Below 1000MHz



6.3. Radiated Emission Limit

The emissions from an intentional radiator shall not exceed the field strength levels specified in the following table 15.209(a):

FCC Part 15.209				
Frequency (MHz)	Field Strength Limitation		Field Strength Limitation Frequency tion at 3m Measurement Dist	
	(uV/m)	Dist	(uV/m)	(dBuV/m)
0.009 – 0.490	$2400 / F(\text{KHz})$	300m	$10000 * 2400/F(\text{KHz})$	$20\log 2400/F(\text{KHz}) + 80$
0.490 – 1.705	$24000 / F(\text{KHz})$	30m	$100 * 24000/F(\text{KHz})$	$20\log 24000/F(\text{KHz}) + 40$
1.705 – 30.00	30	30m	$100 * 30$	$20\log 30 + 40$
30.0 – 88.0	100	3m	100	$20\log 100$
88.0 – 216.0	150	3m	150	$20\log 150$
216.0 – 960.0	200	3m	200	$20\log 200$
Above 960.0	500	3m	500	$20\log 500$

15.205 Restricted bands of operation

MHz	MHz	MHz	GHz
0.090 - 0.110	16.42 - 16.423	399.9 - 410	4.5 - 5.15
¹ 0.495 - 0.505	16.69475 - 16.69525	608 - 614	5.35 - 5.46
2.1735 - 2.1905	16.80425 - 16.80475	960 - 1240	7.25 - 7.75
4.125 - 4.128	25.5 - 25.67	1300 - 1427	8.025 - 8.5
4.17725 - 4.17775	37.5 - 38.25	1435 - 1626.5	9.0 - 9.2
4.20725 - 4.20775	73 - 74.6	1645.5 - 1646.5	9.3 - 9.5
6.215 - 6.218	74.8 - 75.2	1660 - 1710	10.6 - 12.7
6.26775 - 6.26825	108 - 121.94	1718.8 - 1722.2	13.25 - 13.4
6.31175 - 6.31225	123 - 138	2200 - 2300	14.47 - 14.5
8.291 - 8.294	149.9 - 150.05	2310 - 2390	15.35 - 16.2
8.362 - 8.366	156.52475 - 156.52525	2483.5 - 2500	17.7 - 21.4
8.37625 - 8.38675	156.7 - 156.9	2690 - 2900	22.01 - 23.12
8.41425 - 8.41475	162.0125 - 167.17	3260 - 3267	23.6 - 24.0
12.29 - 12.293	167.72 - 173.2	3332 - 3339	31.2 - 31.8
12.51975 - 12.52025	240 - 285	3345.8 - 3358	36.43 - 36.5
12.57675 - 12.57725	322 - 335.4	3600 - 4400	(²)

- Remark:
1. Emission level in dBuV/m=20 log (uV/m)
 2. Measurement was performed at an antenna to the closed point of EUT distance of meters.
 3. Only spurious frequency is permitted to locate within the Restricted Bands specified in provision of ξ 15.205, and the emissions located in restricted bands also comply with 15.209 limit.

6.4.Measurement Result

Measurement data:

Note: Limit dBuV/m @3m = Limit dBuV/m @300m+ 80

Limit dBuV/m @3m = Limit dBuV/m @30m + 40

9 kHz~30 MHz

Temperature:	26°C	Relative Humidity:	54%
Pressure:	101kPa		
Test Voltage :	AC 120V/60Hz	Mode:	Mode 25

Frequency (kHz)	Meter Reading (dBμV/m)	Factor (dB/m)	Emission Level (dBμV/m)	Limits (dBμV/m)	Margin (dB)	Detector Type
128.50	81.36	20.17	101.53	125.43	-23.90	PK
128.50	65.23	20.17	85.40	105.43	-20.03	AV
321.1	80.23	20.25	100.48	117.47	-16.99	PK
321.1	63.06	20.25	83.31	97.47	-14.16	AV
458.5	66.25	20.24	86.49	114.38	-27.89	PK
458.5	53.13	20.24	73.37	94.38	-21.01	AV
1415.33	32.28	20.55	52.83	73.60	-20.77	QP
4118.74	29.19	21.1	50.29	69.54	-19.25	QP
5523.91	24.26	22.02	46.28	69.54	-23.26	QP

Note:

Pre-scan in the all of mode, the worst case in of was recorded.

Factor = antenna factor + cable loss – pre-amplifier.

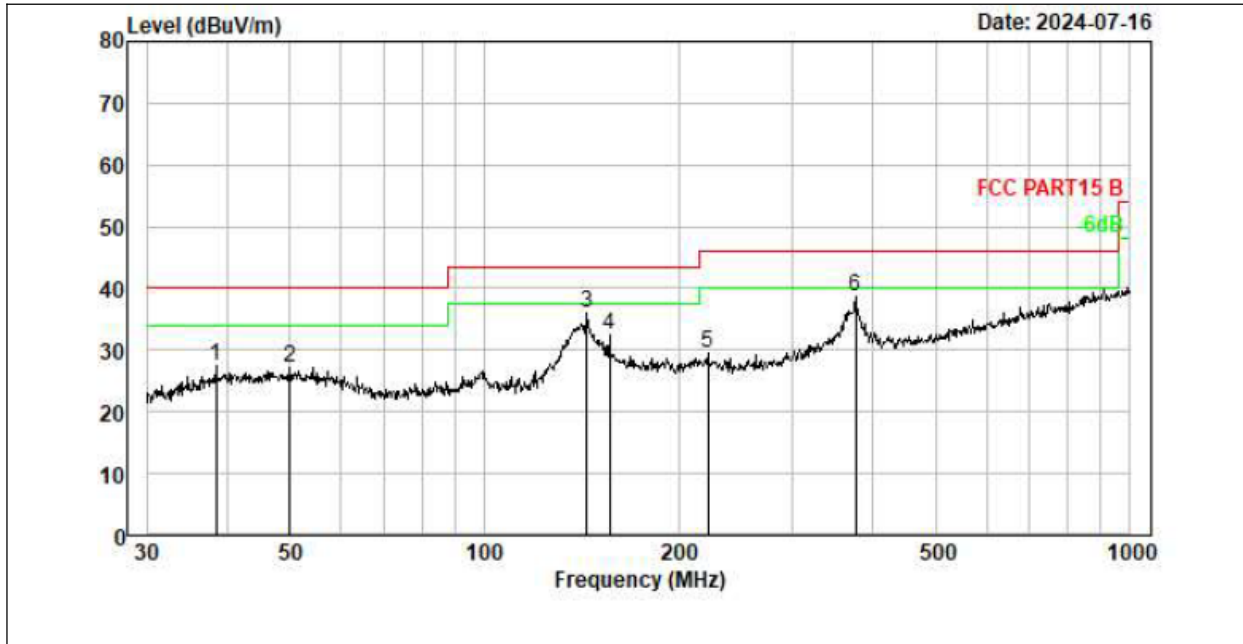
Margin = Emission Level- Limit.

Restricted band edge:

Frequency (kHz)	Meter Reading (dBμV/m)	Factor (dB/m)	Emission Level (dBμV/m)	Limits (dBμV/m)	Margin (dB)	Detector Type
110	42.69	20.09	62.78	125.43	-62.65	PK
110	35.12	20.09	55.21	105.43	-50.22	AV
112.35	72.87	20.09	92.96	124.58	-31.62	PK
112.35	63.93	20.09	84.02	104.58	-20.56	AV

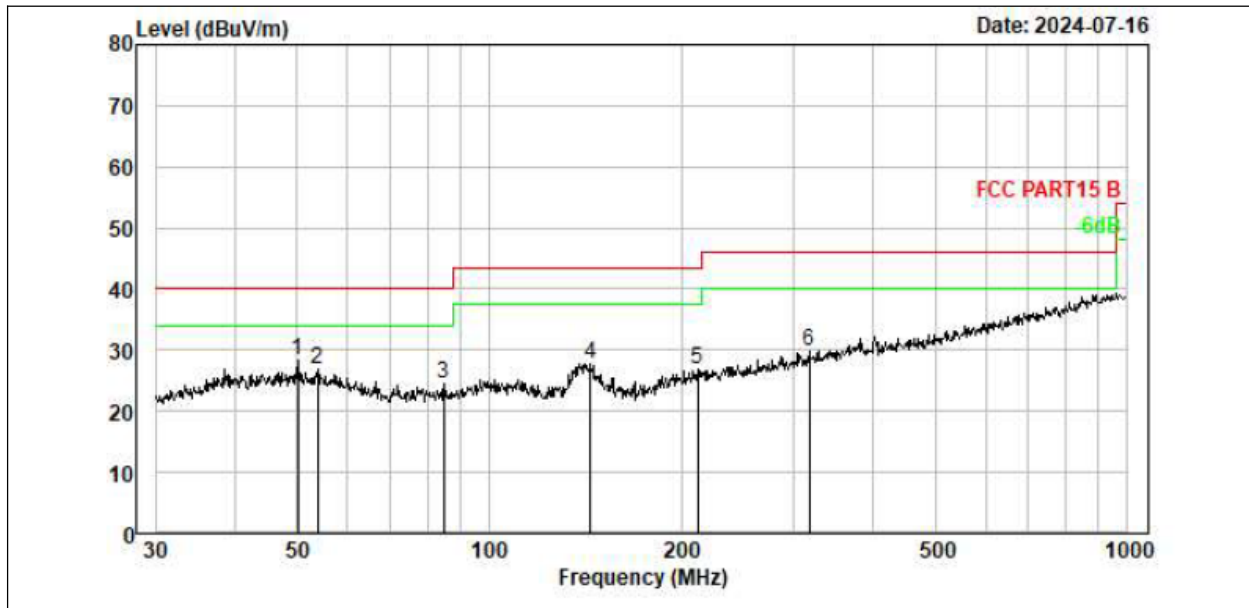
30MHz-1GHz:

Temperature:	26°C	Relative Humidity:	54%
Pressure:	101 kPa	Polarization:	Horizontal
Test Voltage:	AC 120V/60Hz	Mode:	Model 25



No.	Freq MHz	Cable Loss dB	ANT Factor dB/m	Preamp Gain dB	Receiver Reading dBμV	Emission Level dBμV/m	Limit dBμV/m	Over Limit dB	Remark
1	38.346	0.33	12.07	0.00	15.01	27.41	40.00	-12.59	QP
2	49.881	0.43	12.70	0.00	13.94	27.07	40.00	-12.93	QP
3	144.335	0.89	8.41	0.00	26.66	35.96	43.50	-7.54	QP
4	156.458	0.93	8.63	0.00	22.79	32.35	43.50	-11.15	QP
5	222.170	1.12	12.15	0.00	16.33	29.60	46.00	-16.40	QP
6	375.939	1.40	15.48	0.00	21.80	38.68	46.00	-7.32	QP

Temperature:	26°C	Relative Humidity:	54%
Pressure:	101 kPa	Polarization:	Vertical
Test Voltage:	AC 120V/60Hz	Mode:	Model 25



No.	Freq MHz	Cable Loss dB	ANT Factor dB/m	Preamp Gain dB	Receiver Reading dBμV	Emission Level dBμV/m	Limit dBμV/m	Over Limit dB	Remark
1	50.057	0.43	12.69	0.00	15.20	28.32	40.00	-11.68	QP
2	53.882	0.46	12.29	0.00	14.18	26.93	40.00	-13.07	QP
3	84.999	0.63	9.80	0.00	14.08	24.51	40.00	-15.49	QP
4	144.335	0.89	8.41	0.00	18.58	27.88	43.50	-15.62	QP
5	212.270	1.09	11.83	0.00	14.07	26.99	43.50	-16.51	QP
6	317.701	1.31	14.60	0.00	13.93	29.84	46.00	-16.16	QP

Remarks:

1. Final Level = Receiver Read level + Antenna Factor + Cable Loss – Pre-amplifier Factor
2. The emission levels of other frequencies are very lower than the limit and not show in test report.

7. TEST PHOTOGRAPHS AND EUT PHOTOGRAPHS

Please the attachment for details.

-----The end-----