

# 280\*105mm 105克铜版纸 4折页-双面单色印刷

## Welcome Guide



PN-W05  
Qi Solar Power Bank

### Important safety instructions

Warning: When using this product, basic precautions should always be followed, including the following:

- A. Carefully read the User Manual before using the power bank.
- B. Close supervision is needed when the power bank is used near children.
- C. Do not strike, hit or insert any foreign objects into the power bank or any of its ports.
- D. Do not expose the power bank to heavy rain/snow to avoid malfunction.
- E. Do not immerge the power bank into water to avoid malfunction.
- F. Do not disassemble or reassemble the power bank without authorization from manufacturer
- G. Do not use the power bank if it has been damaged or modified. If you see any bulging, swelling, leakage or other abnormality from the power bank, stop using it immediately.

### Special Attention

1. The suggested working/storage temperature is between -4°F and +140°F (-20°C~+60°C).
2. Do not expose a power bank to fire or extreme high temperature. Exposure to fire or temperature above 176°F/80°C may cause battery swelling up or explosion.
3. Do not leave the power bank on the car dashboard without supervision. Under hot weather, the temperature inside a parked car can reach above 176°F/80°C, where the battery may swell up or explode.
4. Do not leave the power bank on the flat surface of concrete, metal and wooden floor to have the battery being solar charged. Under strong sunlight, the surface temperature of concrete, metal and wooden floor may reach above 176°F/80°C, where the battery may swell up or explode.

### Legal and Regulatory Compliance

All BLAVOR power banks have undergone extensive tests and the strict quality control procedure. Both our factory and products are tested and certified.

1. ISO 9001:Quality management system that demonstrates our ability to consistently provide products and services that meet customer and applicable statutory and regulatory requirements.
2. UN38.3 Test Certificate: This ensures that the battery cell used in the power bank adheres to safety standards for things like maximum continuous charge voltage, cut off voltage, cell numbers, nominal voltage, discharge etc.
3. MSDS Certificate: This is the Material Safety Data Sheet, all our power banks come with MSDS sheets, these sheets outline the hazardousness material with batteries, handling procedures, precautions etc.
4. UL 2056 Test Certificate: A safety standards proves that the products has been gone through a series of in-depth evaluations by UL expert engineers.
5. CE Certificate: All our power banks are certified with CE certificates to ensure they comply with regulations for sale in Europe Market.

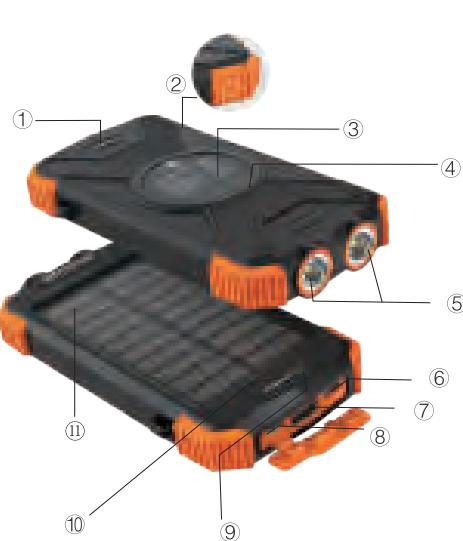
### Product Parameters

Product Name	Wireless Solar Power bank
Micro USB Input	DC 5V 2.1A
Type C Input	DC 5V 2.1A
USB Output	DC 5V 2.1A
Wireless Output	DC 5V 1.0A
Battery Capacity	10,000mah
Battery Type	Polymer Lithium Battery
Qi Compatible Devices	All Qi-Enabled Devices
Waterproof Rating	IPX4 (Splash Proof)
Product Size	5.9*3.1*0.8in
Product Weight	9.6oz

### PACKAGE CONTENTS

- 1\* Solar Power Bank
- 1\* User Manual
- 1\* 2A 11.8in Cable
- 1\* Compass Ring

### Product Details



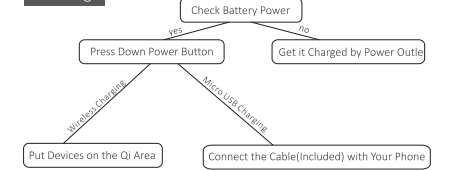
- ① **wireless charging indicator**  
Press the "power button", then the "wireless charging indicator" and "battery power indicator" is going to turn on, if no Qi-enabled devices get close to the qi wireless charging area within 20S, it will be off.
- ② **power button**  
Press the "power button", then the function of wireless charging and cable output charging turns on.
- ③ **wireless charging area**  
The wireless charging feature only suit for qi-enabled devices, pls figure out whether your phone is Qi-enabled before charging it.
- ④ **anti-slip rubber mat**  
A circle of premium anti-slip rubber mat is designed for preventing your phone from falling off.
- ⑤ **dual led flashlight**  
Press the power button for at least 5 seconds to turn on/off the flashlights.
- ⑥ **Type C input**  
DC 5V 2.1A type C port is a new tech designed for future use.
- ⑦ **usb output**: DC 5V 2.1A,
- ⑧ **micro usb input**: DC 5V 2.1A,
- ⑨ **solar charging indicator**  
Color-green, When the sunlight intensity is above 25,000lux and the solar panel are fully exposed to the sunlight, so the solar charger can charge itself with max 180ma currency.
- ⑩ **battery power indicator**  
Color-blue, press the "power button", the indicator is going to turn on. Fours lights from left to right represent 25%/50%/75%/100% power capacity. When you charge the power bank by micro USB port, all the indicator lights flash in sequence till it's fully charged.
- ⑪ **sunlight receiving panel**  
Minimum sunlight intensity 25,000LUX, 180ma charging currency.

### HOW TO USE

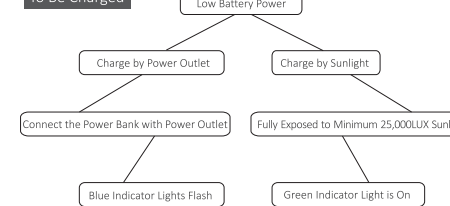
**NOTE:** Its advised to take the solar charging feature as the emergency back-up solution instead of main power sources due to sunlight

Make sure that your power bank is fully charged by power outlet before starting your long journey.

#### To Charge



#### To Be Charged



### PRODUCT MAINTENANCE

- For longer battery life span, make sure its completely out of power capacity before charging it.
- If you are not using the device for a long time, charge it by power outlet at least every six months.
- Do not use wireless charging function while charging the power bank.

### IMPORTANT NOTICE

- The product is suit for 5V/2V devices, or it will be in protection status and won't work.
- Keep it away from wet environment and corrosive substances.
- Do not try to refit, disassemble it.

### QUALITY WARRANTY

All products sold by BLAVOR enjoy 12 months warranty, the guarantee period begins from the date you purchase it. During the period if there are any problems, which is verified by our engineer team as not being damaged by man-made factors, BLAVOR is responsible for it and our team will be with you until its solved.

### CUSTOMER SERVICE

BLAVOR offers timely and considerable customer services, if there are any problems, feel free to contact us, we will get back to you within 12hours. We'd love to get some feedbacks from you, so it could help us improve our products and customer services. Thank you for choosing BLAVOR

**CONTACT US**  
Support@blavor.com

### FCC Statement

This equipment has been tested and found to comply with the limits for a Class B digital device, pursuant to Part 15 of the FCC Rules. These limits are designed to provide reasonable protection against harmful interference in a residential installation. This equipment generates uses and can radiate radio frequency energy and, if not installed and used in accordance with the instructions, may cause harmful interference to radio communications. However, there is no guarantee that interference will not occur in a particular installation. If this equipment does cause harmful interference to radio or television reception, which can be determined by turning the equipment off and on, the user is encouraged to try to correct the interference by one or more of the following measures:  
 -- Reorient or relocate the receiving antenna.  
 -- Increase the separation between the equipment and receiver.  
 -- Connect the equipment into an outlet on a circuit different from that to which the receiver is connected.  
 -- Consult the dealer or an experienced radio/TV technician for help.

This device complies with part 15 of the FCC Rules. Operation is subject to the following two conditions:(1) This device may not cause harmful interference, and (2) this device must accept any interference received, including interference that may cause undesired operation. Changes or modifications not expressly approved by the party responsible for compliance could void the user's authority to operate the equipment.