



TEST REPORT

Test report no.: 1-3566/21-01-02-A

BNetzA-CAB-02/21-102

Testing laboratory

CTC advanced GmbH

Untertuerkheimer Strasse 6 – 10
66117 Saarbruecken / Germany
Phone: + 49 681 5 98 - 0
Fax: + 49 681 5 98 - 9075
Internet: <http://www.ctcadvanced.com>
e-mail: mail@ctcadvanced.com

Accredited Testing Laboratory:

The testing laboratory (area of testing) is accredited according to DIN EN ISO/IEC 17025 (2005) by the Deutsche Akkreditierungsstelle GmbH (DAKKS). The accreditation is valid for the scope of testing procedures as stated in the accreditation certificate with the registration number: D-PL-12076-01-03

Applicant

hiSky SCS Ltd

24 Amal St. Park Afek, Rosh Hay'ayin
P.O.B 11363 / Israel 4809268
Phone: +972-3-6588000
Contact: Yori Adi
e-mail: yoria@hiskysat.com
Phone: +972-3-509612
Fax: +972-3-6587999

Manufacturer

Jabil Circuits Italy

Via per Casapuzzano, 1
81025 Marcianise CE, Italy

Test standard/s

47 CFR Part 25	Title 47 of the Code of Federal Regulations; Chapter I; Part 25 - Satellite Communications
SRSP-101	Technical Requirements for Fixed Earth Stations Operating above 1 GHz in Space Radiocommunication Services and Earth Stations On Board Vessels (ESVs) Operating in the Fixed-Satellite Service

For further applied test standards please refer to section 3 of this test report.

Test Item

Kind of test item: Dynamic Smartellite Terminal Ka 8X8 V2
Model name: Dynamic Terminal Ka 8X8 V2
Frequency: TX: 28.35 – 28.6, 29.25 – 30.0 GHz, RX: 18.3 – 18.8, 19.7 – 20.2 GHz
Characteristics: Tx/Rx, BPSK
Power supply: 100 – 240 V AC, 50/60 Hz by Power Supply, 20 V DC
Temperature range: -30 °C to +60 °C

This test report is electronically signed and valid without handwriting signature. For verification of the electronic signatures, the public keys can be requested at the testing laboratory.

Test report authorized:

Meheza Walla
Lab Manager
Radio Communications & EMC

Test performed:

Thomas Vogler
Lab Manager
Radio Communications & EMC

1 Table of contents

1	Table of contents	2
2	General information	3
2.1	Notes and disclaimer	3
2.2	Application details.....	3
3	Test standards and references	4
3.1	Test standards	4
3.2	Measurement guidance.....	4
3.3	Reporting statements of conformity – decision rule	5
4	Test environment.....	5
5	Test laboratories sub-contracted	5
6	Test item	6
6.1	General Description	6
6.2	List of components	7
6.3	Antenna system(s)	7
6.4	Operating conditions	7
6.5	Additional information	7
7	Description of the test setup	8
7.1	Shielded fully anechoic chamber	9
7.2	Radiated measurements > 18 GHz.....	11
7.3	Radiated measurements > 50 GHz.....	11
8	Sequence of testing	13
8.1	Sequence of testing radiated spurious 9 kHz to 30 MHz.....	13
8.2	Sequence of testing radiated spurious 30 MHz to 1 GHz.....	14
8.3	Sequence of testing radiated spurious 1 GHz to 18 GHz	15
8.4	Sequence of testing radiated spurious above 18 GHz	16
8.5	Sequence of testing radiated spurious above 50 GHz with external mixers	17
9	Measurement results.....	18
9.1	Summary	18
9.2	RF power output / Power limits.....	19
9.3	EIRP Spectral Density	20
9.4	Occupied bandwidth	21
9.5	Emissions limitations (conducted emissions)	22
9.6	Emissions limits (radiated emissions)	23
9.7	Transmitter frequency tolerance	24
9.8	Receiver Spurious Emission Limits (radiated emissions).....	26
10	Glossary	27
11	Document history.....	28
12	Accreditation Certificate.....	28

2 General information

2.1 Notes and disclaimer

The test results of this test report relate exclusively to the test item specified in this test report. CTC advanced GmbH does not assume responsibility for any conclusions and generalizations drawn from the test results with regard to other specimens or samples of the type of the equipment represented by the test item.

The test report may only be reproduced or published in full. Reproduction or publication of extracts from the report requires the prior written approval of CTC advanced GmbH.

The testing service provided by CTC advanced GmbH has been rendered under the current "General Terms and Conditions for CTC advanced GmbH".

CTC advanced GmbH will not be liable for any loss or damage resulting from false, inaccurate, inappropriate or incomplete product information provided by the customer.

Under no circumstances does the CTC advanced GmbH test report include any endorsement or warranty regarding the functionality, quality or performance of any other product or service provided.

Under no circumstances does the CTC advanced GmbH test report include or imply any product or service warranties from CTC advanced GmbH, including, without limitation, any implied warranties of merchantability, fitness for purpose, or non-infringement, all of which are expressly disclaimed by CTC advanced GmbH.

All rights and remedies regarding vendor's products and services for which CTC advanced GmbH has prepared this test report shall be provided by the party offering such products or services and not by CTC advanced GmbH. In no case this test report can be considered as a Letter of Approval.

This test report is electronically signed and valid without handwritten signature. For verification of the electronic signatures, the public keys can be requested at the testing laboratory.

2.2 Application details

Date of receipt of order:	2021-11-12
Date of receipt of test item:	2022-05-16
Start of test:	2022-05-16
End of test:	2022-05-24
Person(s) present during the test:	Mr. Benny Versano Mr. Daniel Maman

3 Test standards and references

3.1 Test standards

Test standard	Date	Test standard description
47 CFR Part 25	2021-03	Title 47 of the Code of Federal Regulations; Chapter I; Part 25 - Satellite Communications
SRSP-101	2019-08	Technical Requirements for Fixed Earth Stations Operating above 1 GHz in Space Radiocommunication Services and Earth Stations On Board Vessels (ESVs) Operating in the Fixed-Satellite Service

3.2 Measurement guidance

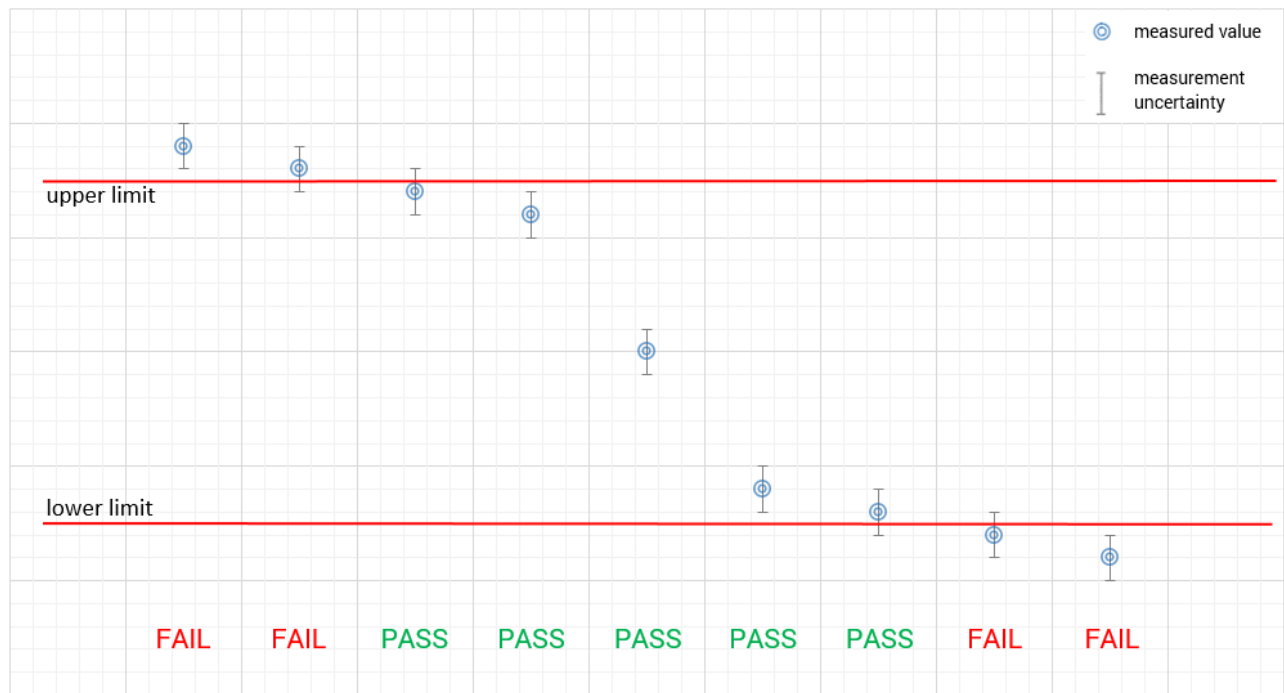
Guidance	Version	Description
ANSI C63.4-2014	-/-	American national standard for methods of measurement of radio-noise emissions from low-voltage electrical and electronic equipment in the range of 9 kHz to 40 GHz
ANSI C63.10-2013	-/-	American national standard of procedures for compliance testing of unlicensed wireless devices
ANSI C63.26-2015	-/-	American National Standard for Compliance Testing of Transmitters Used in Licensed Radio Services

3.3 Reporting statements of conformity – decision rule

Only the measured values related to their corresponding limits will be used to decide whether the equipment under test meets the requirements of the test standards listed in chapter 3.

The measurement uncertainty is mentioned in this test report, but is not taken into account - neither to the limits nor to the measurement results. Measurement results with a smaller margin to the corresponding limits than the measurement uncertainty have a potential risk of more than 5% that the decision might be wrong.”

measured value, measurement uncertainty, verdict



4 Test environment

Temperature:	T _{nom} T _{max} T _{min}	+23.5 °C during room temperature tests +50 °C during high temperature tests -30 °C during low temperature tests
Relative humidity content:		55 %
Barometric pressure:		not relevant for this kind of testing
Power supply:	V _{nom} V _{max} V _{min}	20 V DC 12 V DC 36 V DC

5 Test laboratories sub-contracted

None

6 Test item

6.1 General Description

Kind of test item	:	Dynamic Smartellite Terminal Ka 8X8 V2
Type identification	:	Dynamic Terminal Ka 8X8 V2
hardware version	:	2.0
software version	:	0.9.8
firmware version	:	0.9.8
Frequency band	:	TX: 28.35 – 28.6, 29.25 – 30.0 GHz, RX: 18.3 – 18.8, 19.7 – 20.2 GHz
TX output power cond	:	1 W
TX output power rad.	:	21 dBW nominal
Att. betw. HPA/Antenna	:	0 dB
Type of radio transmission : Use of frequency spectrum :	:	MF-TDMA / TDMA / SCPC
Type of modulation	:	BPSK 2.24 MSym/s
Data rate	:	13 kbit/s
Channel spacing	:	depends on modem
Power supply	:	100 – 240 V AC, 50/60 Hz with power supply 20 V DC
Temperature range	:	-30 °C to +60 °C

6.2 List of components

No.	Equipment	Manufacturer Type name	(version, model/part number)	Serial number	Note no.	tested (Y/N)
1	Dynamic IoT Ka Terminal	hiSky SCS Ltd	P/N: HSK_DKA8_XXV2	29200100000165		Y

Note:

- 1) The item can optionally be equipped with this additional component.
- 2) The item can optionally be equipped with this component instead of no. xxx.
- 3) Because of conceptual and electrical equality no. xxx was/were representatively tested as worst case.
- 4) This component corresponds with the no. xxx but it's not fully provided.
- 5) The item can be combined with this component. The test of this component is documented in test report no. xxxxx/xxxxx/xx.
- 6) This component was sufficiently taken into account, see test report no. xxxxx/xxxxx/xx.
- 7) This component is not part of the test item - it was representatively used to establish the operation and test modes.
- 8) This component is integrated repeatedly in the item because of redundancy - the redundant components were not tested because of equality to the primary parts.
- 9) This component is not relevant relating to the requirements of the test specification as well as baseband equipment - the EMC conformity and eventually the approval for connection to public telecommunication networks are only expected.

6.3 Antenna system(s)

The EUT contains an integrated phased array antenna for left hand and right hand circular polarization, which has a gain of 21 dBi and a half power beam width of 13° at 0° direction.
See technical documentation of manufacturer for details.

Note: Above mentioned antenna test reports / antenna pattern must be in compliance with test standard(s) listed under section 3! Refer to customer documentation for more details.

6.4 Operating conditions

- Operating condition 1: 29.250 GHz (=fm, 28.36 GHz = fl, 29.990 GHz = fh)
BPSK
- Operating condition 2: Emissions disabled
TX off

Note: Middle frequency (=fm) was set to closest band edge allowed by regulations.

6.5 Additional information

The content of the following annexes is defined in the QA. It may be that not all of the listed annexes are necessary for this report, thus some values in between may be missing.

- Test setup- and EUT-photos are included in test report: 1-3566/21-01-01_AnnexA
1-3566/21-01-01_AnnexB
1-3566/21-01-01_AnnexC
1-3566/21-01-01_AnnexD
- Test plots are included in test report: 1-3566/21-01-01_AnnexE

7 Description of the test setup

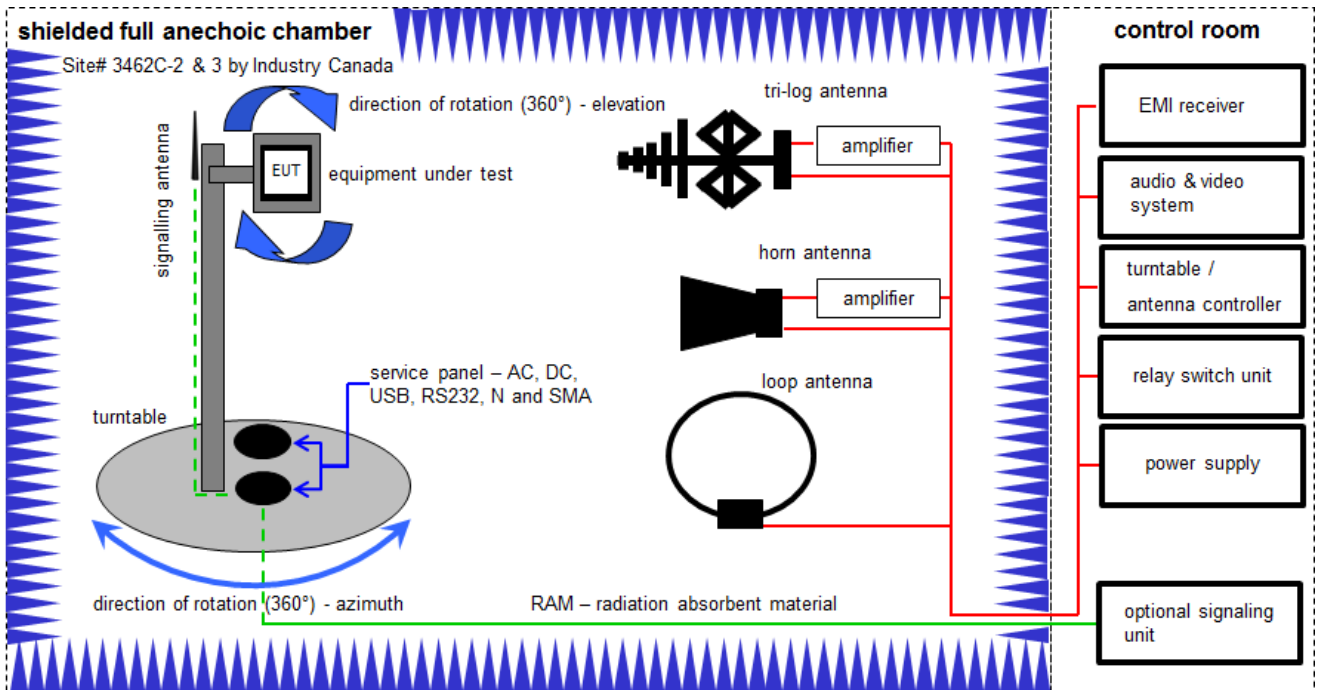
Typically, the calibrations of the test apparatus are commissioned to and performed by an accredited calibration laboratory. The calibration intervals are determined in accordance with the DIN EN ISO/IEC 17025. In addition to the external calibrations, the laboratory executes comparison measurements with other calibrated test systems or effective verifications. Weekly chamber inspections and range calibrations are performed. Where possible, RF generating and signaling equipment as well as measuring receivers and analyzers are connected to an external high-precision 10 MHz reference (GPS-based or rubidium frequency standard).

In order to simplify the identification of the equipment used at some special tests, some items of test equipment and ancillaries can be provided with an identifier or number in the equipment list below (Lab/Item).

Agenda: Kind of Calibration

k	calibration / calibrated		EK	limited calibration
ne	not required (k, ev, izw, zw not required)		zw	cyclical maintenance (external cyclical maintenance)
ev	periodic self verification		izw	internal cyclical maintenance
Ve	long-term stability recognized		g	blocked for accredited testing
vkl!	Attention: extended calibration interval			
NK!	Attention: not calibrated		*)	next calibration ordered / currently in progress

7.1 Shielded fully anechoic chamber



Measurement distance: tri-log antenna and horn antenna 3 meter; loop antenna 3 meter
BAT-EMC software version: 3.16.0.49

$$OP = AV + D - G + CA$$

(OP-radiated output power; AV-analyzer value; D-free field attenuation of measurement distance; G-antenna gain+amplifier gain; CA-loss signal path)

Example calculation:

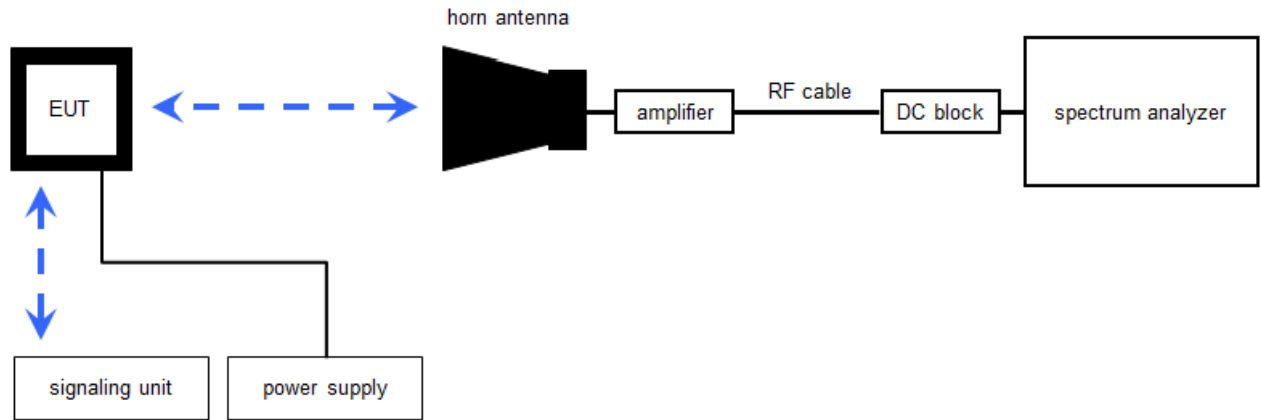
$$OP \text{ [dBm]} = -65.0 \text{ [dBm]} + 50 \text{ [dB]} - 20 \text{ [dBi]} + 5 \text{ [dB]} = -30 \text{ [dBm]} \text{ (1 } \mu\text{W)}$$

Equipment table:

No.	Lab / Item	Equipment	Type	Manufacturer	Serial No.	INV. No.	Kind of Calibration	Last Calibration	Next Calibration
1	n. a.	DC power supply, 60Vdc, 50A, 1200 W	6032A	HP	2818A03450	300001040	vKI!	09.12.2020	08.12.2023
2	n. a.	Active Loop Antenna 9 kHz to 30 MHz	6502	EMCO	2210	300001015	vKI!	01.07.2021	31.07.2023
3	n. a.	Anechoic chamber	FAC 3/5m	MWB / TDK	87400/02	300000996	ev	-/-	-/-
4	n. a.	TRILOG Broadband Test-Antenna 30 MHz - 3 GHz	VULB9163	Schwarzbeck Mess - Elektronik	318	300003696	vKI!	30.09.2021	29.09.2023
5	n. a.	Double-Ridged Waveguide Horn Antenna 1-18.0GHz	3115	EMCO	9709-5289	300000213	vKI!	14.07.2020	13.07.2022
6	n. a.	Switch / Control Unit	3488A	HP	*	300000199	ne	-/-	-/-
7	n. a.	Variable isolating transformer	MPL IEC625 Bus Variable isolating transformer	Erfi	91350	300001155	ne	-/-	-/-
8	n. a.	EMI Test Receiver 20Hz- 26,5GHz	ESU26	R&S	100037	300003555	k	09.12.2021	31.12.2022
9	n. a.	Highpass Filter	WHKX7.0/18G-8SS	Wainwright	19	300003790	ne	-/-	-/-
10	n. a.	Broadband Amplifier 0.5-18 GHz	CBLU5184540	CERNEX	22049	300004481	ev	-/-	-/-
11	n. a.	Broadband Amplifier 5-13 GHz	CBLU5135235	CERNEX	22010	300004491	ev	-/-	-/-
12	n. a.	4U RF Switch Platform	L4491A	Agilent Technologies	MY50000037	300004509	ne	-/-	-/-
13	n. a.	NEXIO EMV-Software	BAT EMC V3.16.0.49	EMCO		300004682	ne	-/-	-/-
14	n. a.	PC	ExOne	F+W		300004703	ne	-/-	-/-
15	n. a.	RF-Amplifier	AMF-6F06001800-30-10P-R	NARDA-MITEQ Inc	2011572	300005241	ev	-/-	-/-

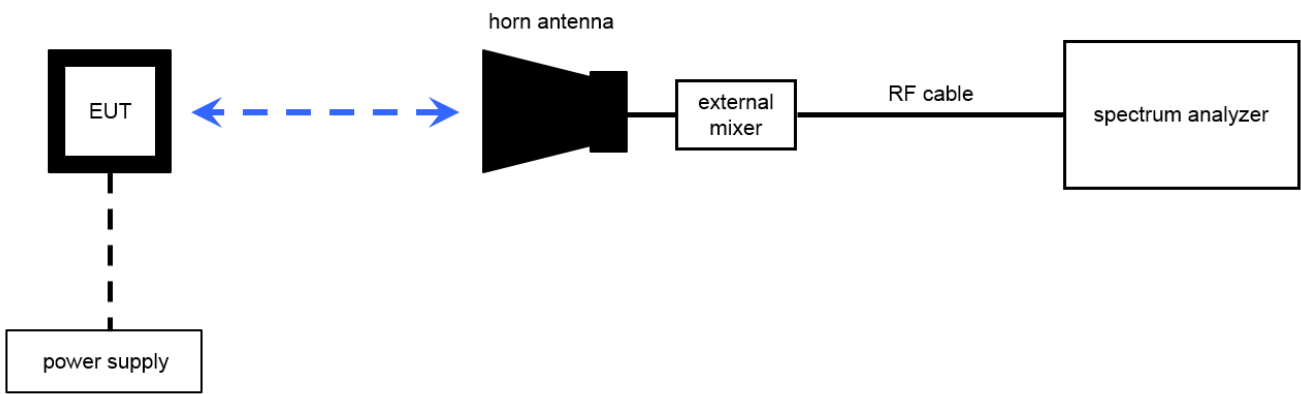
7.2 Radiated measurements > 18 GHz

Radiated measurements > 18 GHz



7.3 Radiated measurements > 50 GHz

Radiated measurements RF laboratory



$$OP = AV + D - G$$

(OP-rad. output power; AV-analyzer value; D-free field attenuation of measurement distance; G-antenna gain)

Example calculation:

$$OP \text{ [dBm]} = -54.0 \text{ [dBm]} + 64.0 \text{ [dB]} - 20.0 \text{ [dBi]} = -10 \text{ [dBm]} \text{ (100 } \mu\text{W)}$$

Note: conversion loss of mixer is already included in analyzer value.

Equipment table:

No.	Lab / Item	Equipment	Type	Manufacturer	Serial No.	INV. No.	Kind of Calibration	Last Calibration	Next Calibration
1	A019	Std. Gain Horn Antenna 17.6-26.7 GHz	2024-20	Flann	156	300001968	ne	-/-	-/-
2	A011	Std. Gain Horn Antenna 26.4-40.1 GHz	V637	Narda	82-16	300000510	ne	-/-	-/-
3	A023	Std. Gain Horn Antenna 39.3-59.7 GHz	2424-20	Flann	75	300001979	ne	-/-	-/-
4	A025	Std. Gain Horn Antenna 49.9-75.8 GHz	2524-20	Flann		300001983	ne	-/-	-/-
5	A028	Std. Gain Horn Antenna 73.8-112 GHz	2724-20	Flann		300001991	ne	-/-	-/-
6	R001	Signal- and Spectrum Analyzer 3 Hz - 50 GHz	PXA N9030A	Agilent Technologies	US51350267	300004338	k	01.04.2022	30.04.2023
7	R025	Harmonic Mixer 2-Port, 50-80 GHz	M1970V	KEYSIGHT	MY51390914	300005116	k	28.08.2021	27.08.2022
8	R029	Harmonic Mixer 2-Port, 75-110 GHz	M1970W	KEYSIGHT	MY51430848	300005115	k	01.09.2021	31.08.2022
9	R011	Power Meter	NRP	R&S	101367	300003678	K	07.12.2021	06.12.2022
10	R009	Power Sensor 40 GHz	NRP-Z85	R&S	102427	300006172	k	15.02.2021	14.02.2023
11	Cxxx	Coax cables	div.	H&S	div.	-/-	ev	-/-	-/-
12	n.a.	Temperature Test Chamber	T-40/50	CTS GmbH	064023	300003540	ev	09.05.2022	08.05.2024

8 Sequence of testing

8.1 Sequence of testing radiated spurious 9 kHz to 30 MHz

Setup

- The equipment is set up to simulate normal operation mode as described in the user manual or defined by the manufacturer.
- If the EUT is a tabletop system, it is placed on a table with 0.8 m height.
- If the EUT is a floor standing device, it is placed directly on the turn table.
- Auxiliary equipment and cables are positioned to simulate normal operation conditions as described in ANSI C 63.4.
- The AC power port of the EUT (if available) is connected to a power outlet below the turntable.
- Measurement distance is 3 m (see ANSI C 63.4) – see test details.
- EUT is set into operation.

Premeasurement*

- The turntable rotates from 0° to 315° using 45° steps.
- The antenna height is 1 m.
- At each turntable position the analyzer sweeps with positive-peak detector to find the maximum of all emissions.

Final measurement

- Identified emissions during the pre-measurement are maximized by the software by rotating the turntable from 0° to 360°.
- Loop antenna is rotated about its vertical axis for maximum response at each azimuth about the EUT. (For certain applications, the loop antenna plane may also need to be positioned horizontally at the specified distance from the EUT)
- The final measurement is done in the position (turntable and elevation) causing the highest emissions with quasi-peak (as described in ANSI C 63.4).
- Final levels, frequency, measuring time, bandwidth, turntable position, correction factor, margin to the limit and limit will be recorded. A plot with the graph of the premeasurement and the limit is stored.

*)Note: The sequence will be repeated three times with different EUT orientations.

8.2 Sequence of testing radiated spurious 30 MHz to 1 GHz

Setup

- The equipment is set up to simulate normal operation mode as described in the user manual or defined by the manufacturer.
- If the EUT is a tabletop system, a table with 0.8 m height is used, which is placed on the ground plane.
- If the EUT is a floor standing device, it is placed on the ground plane with insulation between both.
- Auxiliary equipment and cables are positioned to simulate normal operation conditions as described in ANSI C 63.4.
- The AC power port of the EUT (if available) is connected to a power outlet below the turntable.
- Measurement distance is 10 m or 3 m (see ANSI C 63.4) – see test details.
- EUT is set into operation.

Premeasurement

- The turntable rotates from 0° to 315° using 45° steps.
- The antenna is polarized vertical and horizontal.
- The antenna height changes from 1 m to 3 m.
- At each turntable position, antenna polarization and height the analyzer sweeps three times in peak to find the maximum of all emissions.

Final measurement

- The final measurement is performed for at least six highest peaks according to the requirements of the ANSI C63.4.
- Based on antenna and turntable positions at which the peak values are measured the software maximize the peaks by changing turntable position $\pm 45^\circ$ and antenna height between 1 and 4 m.
- The final measurement is done with quasi-peak detector (as described in ANSI C 63.4).
- Final levels, frequency, measuring time, bandwidth, antenna height, antenna polarization, turntable angle, correction factor, margin to the limit and limit are recorded. A plot with the graph of the premeasurement with marked maximum final results and the limit is stored.

8.3 Sequence of testing radiated spurious 1 GHz to 18 GHz

Setup

- The equipment is set up to simulate normal operation mode as described in the user manual or defined by the manufacturer.
- If the EUT is a tabletop system, a 2-axis positioner with 1.5 m height is used.
- If the EUT is a floor standing device, it is placed directly on the turn table.
- Auxiliary equipment and cables are positioned to simulate normal operation conditions as described in ANSI C 63.4.
- The AC power port of the EUT (if available) is connected to a power outlet below the turntable.
- Measurement distance is 3 m (see ANSI C 63.4) – see test details.
- EUT is set into operation.

Premeasurement

- The turntable rotates from 0° to 315° using 45° steps.
- The antenna is polarized vertical and horizontal.
- The antenna height is 1.5 m.
- At each turntable position and antenna polarization the analyzer sweeps with positive peak detector to find the maximum of all emissions.

Final measurement

- The final measurement is performed for at least six highest peaks according to the requirements of the ANSI C63.4.
- Based on antenna and turntable positions at which the peak values are measured the software maximizes the peaks by rotating the turntable from 0° to 360°. This measurement is repeated for different EUT-table positions (0° to 150° in 30°-steps) and for both antenna polarizations.
- The final measurement is done in the position (turntable, EUT-table and antenna polarization) causing the highest emissions with Peak and RMS detector (as described in ANSI C 63.4).
- Final levels, frequency, measuring time, bandwidth, turntable position, EUT-table position, antenna polarization, correction factor, margin to the limit and limit are recorded. A plot with the graph of the premeasurement with marked maximum final results and the limit is stored.

8.4 Sequence of testing radiated spurious above 18 GHz

Setup

- The equipment is set up to simulate normal operation mode as described in the user manual or defined by the manufacturer.
- Auxiliary equipment and cables are positioned to simulate normal operation conditions as described in ANSI C 63.4.
- The AC power port of the EUT (if available) is connected to a power outlet.
- The measurement distance is as appropriate (e.g. 0.5 m).
- The EUT is set into operation.

Premeasurement

- The test antenna is handheld and moved carefully over the EUT to cover the EUT's whole sphere and different polarizations of the antenna.

Final measurement

- The final measurement is performed at the position and antenna orientation causing the highest emissions with Peak and RMS detector (as described in ANSI C 63.4).
- Final levels, frequency, measuring time, bandwidth, correction factor, margin to the limit and limit are recorded. A plot with the graph of the premeasurement and the limit is stored.

8.5 Sequence of testing radiated spurious above 50 GHz with external mixers

Setup

- The equipment is set up to simulate normal operation mode as described in the user manual or defined by the manufacturer.
- Auxiliary equipment and cables are positioned to simulate normal operation conditions as described in ANSI C 63.4.
- The AC power port of the EUT (if available) is connected to a power outlet.
- The measurement distance is as appropriate for far field (e.g. 0.25 m).
- The EUT is set into operation.

Premeasurement

- The test antenna with external mixer is handheld and moved carefully over the EUT to cover the EUT's whole sphere and different polarizations of the antenna.
- Caution is taken to reduce the possible overloading of the external mixer.

Final measurement

- The final measurement is performed at the position and antenna orientation causing the highest emissions with Peak and RMS detector (as described in ANSI C 63.4).
- As external mixers may generate false images care is taken to ensure that any emission measured by the spectrum analyzer does indeed originate in the EUT. Signal identification feature of spectrum analyzer is used to eliminate false mixer images (i.e., it is not the fundamental emission or a harmonic falling precisely at the measured frequency).
- Final levels, frequency, measuring time, bandwidth, correction factor, margin to the limit and limit are recorded. A plot with the graph of the premeasurement and the limit is stored.

9 Measurement results

9.1 Summary

The present test report:

<input checked="" type="checkbox"/>	No deviations from the technical specifications were ascertained
<input type="checkbox"/>	There were deviations from the technical specifications ascertained
<input type="checkbox"/>	This test report is only a partial test report. The content and verdict of the performed test cases are listed below.

TC identifier	Description	Verdict	Date	Remark
RF-Testing	CFR 47 Part 25 (Ka-Band) SRSP-101	see below	2022-09-22	-/-

Test Specification Clause	Test Case	C	NC	NA	NP	Remark
§2.1046 / §25.204 / 4.1 / 4.2	Measurements required: RF power output / Power limits	X				
§2.1046 / §25.218 / 4.6	Measurements required: RF power output. Off-axis EIRP density	X				
§2.1049	Measurements required: Occupied bandwidth	X				
§2.1051 / §25.202 / 4.4	Measurements required: Spurious emissions at antenna terminals / Emission limitations (conducted emissions)	X				
§2.1053 / §25.202 / 4.4	Measurements required: Field strength of spurious radiation / Emission limitations (radiated emissions)	X				
§2.1055 / §25.202 / 4.3	Measurements required: Frequency stability / Transmitter frequency tolerances	X				
4.5	Receiver spurious emission limits	X				

Note: C = compliant; NC = Not compliant; NA = Not applicable; NP = Not performed

9.2 RF power output / Power limits

Description / Limit:

§2.1046 Measurements required: RF power output.

§25.204 Power limits

(a) In bands shared coequally with terrestrial radio communication services, the equivalent isotropically radiated power transmitted in any direction towards the horizon by an earth station, other than an ESV, operating in frequency bands between 1 and 15 GHz, shall not exceed the following limits except as provided for in paragraph (c) of this section:

+ 40 dBW in any 4 kHz band for $\theta \leq 0^\circ$

+ 40 + 3 θ dBW in any 4 kHz band for $0^\circ < \theta \leq 5^\circ$

where θ is the angle of elevation of the horizon viewed from the center of radiation of the antenna of the earth station and measured in degrees as positive above the horizontal plane and negative below it.

(b) In bands shared coequally with terrestrial radiocommunication services, the equivalent isotropically radiated power transmitted in any direction towards the horizon by an earth station operating in frequency bands above 15 GHz shall not exceed the following limits except as provided for in paragraph (c) of this section:

+ 64 dBW in any 1 MHz band for $\theta \leq 0^\circ$

+ 64 + 3 θ dBW in any 1 MHz band for $0^\circ < \theta \leq 5^\circ$

where θ is as defined in paragraph (a) of this section.

(c) For angles of elevation of the horizon greater than 5° there shall be no restriction as to the equivalent isotropically radiated power transmitted by an earth station towards the horizon.

state	freq. (range)	reading level	data of correction attenuation / loss			result			remark
			far field	horn	att.)*	EIRP			
	GHz	dBm	dB	dBi	dB	dBm	dBW	W	
mod	28.360	-14.8	75.4	15.5	3.2	48.3	18.3	67.6	--
mod	29.250	-14.9	75.8	15.75	3.2	48.35	18.35	68.4	
mod	29.990	-15.0	76.0	16	3.2	48.2	18.2	66.1	

cw = continuous wave mod = modulated

)* 0.2 dB adaption and 3 dB loss of circular vs. linear polarization

Test setup(s):

Test setup 7.2

Plots:

see also Annex E, chap. 2, plots 1 - 6

9.3 EIRP Spectral Density

Description / Limit:

§2.1046 Measurements required: RF power output.

§25.218 Off-axis EIRP density envelopes for FSS earth stations transmitting in certain frequency bands.

(a) This section applies to applications for fixed and temporary-fixed FSS earth stations transmitting to geostationary space stations in the conventional C-band, extended C-band, conventional Ku-band, extended Ku-band, conventional Ka-band, or 24.75-25.25 GHz and applications for ESIMs transmitting in the conventional C-band, conventional Ku-band, or conventional Ka-band, except for applications proposing transmission of analog command signals at a band edge with bandwidths greater than 1 MHz or transmission of any other type of analog signal with bandwidths greater than 200 kHz.

(i) Digital earth station operation in the conventional Ka-band. (1) For co-polarized transmissions in the plane tangent to the GSO arc:

$32.5-25\log(\theta)$	dBW/MHz	for $2.0^\circ \leq \theta \leq 7^\circ$.
11.5	dBW/MHz	for $7^\circ \leq \theta \leq 9.2^\circ$
$35.5-25\log(\theta)$	dBW/MHz	for $9.2^\circ \leq \theta \leq 19.1^\circ$
3.5	dBW/MHz	for $19.1^\circ < \theta \leq 180^\circ$

Where:

θ is as defined in paragraph (c)(1) of this section.

(2) For co-polarized transmissions in the plane perpendicular to the GSO arc:

$35.5-25\log(\theta)$	dBW/MHz	for $3.5^\circ \leq \theta \leq 7^\circ$
14.4	dBW/MHz	for $7^\circ < \theta \leq 9.2^\circ$
$38.5-25\log(\theta)$	dBW/MHz	for $9.2^\circ < \theta \leq 19.1^\circ$
6.5	dBW/MHz	for $19.1^\circ < \theta \leq 180^\circ$

Where θ is as defined in paragraph (c)(1) of this section.

(3) The EIRP density levels specified in paragraphs (i)(1) and (2) of this section may be exceeded by up to 3 dB, for values of $\theta > 7^\circ$, over 10% of the range of theta (θ) angles from 7-180° on each side of the line from the earth station to the target satellite.

(4) For cross-polarized transmissions in the plane tangent to the GSO arc and in the plane perpendicular to the GSO arc:

$22.5-25\log(\theta)$	dBW/MHz	for $2.0^\circ < \theta \leq 7.0^\circ$
-----------------------	---------	--

Where θ is as defined in paragraph (c)(1) of this section.

(c) (1) Where θ is the angle in degrees from a line from the earth station antenna to the assigned orbital location of the target satellite.

§25.204 Power limits for earth stations.

(e) To the extent specified in paragraphs (e)(1) through (e)(3) of this section, earth stations in the Fixed-Satellite Service may employ uplink adaptive power control or other methods of fade compensation to facilitate transmission of uplinks at power levels required for desired link performance while minimizing interference between networks.

(3) For stations employing uplink power control, the values in paragraphs §25.218(i)(1), (2), and (4) may be exceeded by up to 20 dB under conditions of uplink fading due to precipitation.

Test setup: 7.2

Plots:

see Annex E, chap. 2, plots 7 - 9

9.4 Occupied bandwidth

Description / Limit:

§2.1049 Measurements required: Occupied bandwidth

The occupied bandwidth, that is the frequency bandwidth such that, below its lower and above its upper frequency limits, the mean powers radiated are each equal to 0.5 percent of the total mean power radiated by a given emission shall be measured under the following conditions as applicable:

(h) Transmitters employing digital modulation techniques—when modulated by an input signal such that its amplitude and symbol rate represent the maximum rated conditions under which the equipment will be operated. The signal shall be applied through any filter networks, pseudo-random generators or other devices required in normal service.

Operating condition	Frequency	Modulation	Data rate / Symbol rate	Occupied bandwidth [MHz]	Annex E / Plot
1	fl, fm, fh	BPSK	2.24 MSym/s	max. 1.3	chap. 2 – 2, 4, 6

Test setup(s):

Test setup 7.2

Plots:

see also Annex E, chap. 2, plots 2, 4, 6

9.5 Emissions limitations (conducted emissions)

Description / Limit:

§2.1051 Measurements required: Spurious emissions at antenna terminals.

§25.202 Frequencies, frequency tolerance and emission limitations

(f) *Emission limitations.* Except for SDARS terrestrial repeaters and as provided for in paragraph (i), the mean power of emissions shall be attenuated below the mean output power of the transmitter in accordance with the schedule set forth in paragraphs (f)(1) through (f)(4) of this section. The out-of-band emissions of SDARS terrestrial repeaters shall be attenuated in accordance with the schedule set forth in paragraph (h) of this section.

(1) In any 4 kHz band, the center frequency of which is removed from the assigned frequency by more than 50 percent up to and including 100 percent of the authorized bandwidth: 25 dB;

(2) In any 4 kHz band, the center frequency of which is removed from the assigned frequency by more than 100 percent up to and including 250 percent of the authorized bandwidth: 35 dB;

(3) In any 4 kHz band, the center frequency of which is removed from the assigned frequency by more than 250 percent of the authorized bandwidth: An amount equal to 43 dB plus 10 times the logarithm (to the base 10) of the transmitter power in watts;

(4) In any event, when an emission outside of the authorized bandwidth causes harmful interference, the Commission may, at its discretion, require greater attenuation than specified in paragraphs (f) (1), (2) and (3) of this section.

Measurement results:

Conducted Spurious Emissions [dBm]								
fl			fm			fh		
F [GHz]	Detector	Level [dBm]	F [GHz]	Detector	Level [dBm]	F [GHz]	Detector	Level [dBm]
No critical peaks detected.			No critical peaks detected.			No critical peaks detected.		
Measurement uncertainty			± 2 dB					

Test setup: 7.2, 7.3

Plots:

see also Annex E, chap. 2, plots 15 - 38

Note:

This measurement was performed with the radiated set-up because the antenna is fully integrated and can't be separated.

9.6 Emissions limits (radiated emissions)

Description / Limit:

§2.1053 Measurements required: Field strength of spurious radiation.

§25.202 Frequencies, frequency tolerance and emission limitations

(f) *Emission limitations.* Except for SDARS terrestrial repeaters and as provided for in paragraph (i), the mean power of emissions shall be attenuated below the mean output power of the transmitter in accordance with the schedule set forth in paragraphs (f)(1) through (f)(4) of this section. The out-of-band emissions of SDARS terrestrial repeaters shall be attenuated in accordance with the schedule set forth in paragraph (h) of this section.

(1) In any 4 kHz band, the center frequency of which is removed from the assigned frequency by more than 50 percent up to and including 100 percent of the authorized bandwidth: 25 dB;

(2) In any 4 kHz band, the center frequency of which is removed from the assigned frequency by more than 100 percent up to and including 250 percent of the authorized bandwidth: 35 dB;

(3) In any 4 kHz band, the center frequency of which is removed from the assigned frequency by more than 250 percent of the authorized bandwidth: An amount equal to 43 dB plus 10 times the logarithm (to the base 10) of the transmitter power in watts;

(4) In any event, when an emission outside of the authorized bandwidth causes harmful interference, the Commission may, at its discretion, require greater attenuation than specified in paragraphs (f) (1), (2) and (3) of this section.

Measurement results:

Radiated Spurious Emissions [dBm]								
fl			fm			fh		
F [GHz]	Detector	Level [dBm]	F [GHz]	Detector	Level [dBm]	F [GHz]	Detector	Level [dBm]
No critical peaks detected.			No critical peaks detected.			No critical peaks detected.		
Measurement uncertainty			± 3 dB					

v / h = vertical / horizontal

Test setup: 7.1 – 7.3

Plots:

see Annex E, chap. 2, plots 10 - 14
and Annex E, chap. 3, plots 1, 2, 3

9.7 Transmitter frequency tolerance

Description / Limit:

§2.1055 Measurements required: Frequency stability.

§25.202 Frequencies, frequency tolerance and emission limitations

(d) *Frequency tolerance, Earth stations.* The carrier frequency of each earth station transmitter authorized in these services shall be maintained within 0.001 percent of the reference frequency.

f_m :

Temperature [°C]	Voltage [V AC]	Reference Frequency [GHz]	Measured Frequency [GHz]	Deviation [kHz]	Deviation [ppm]
-30	V_{nom}	29.250003425	29.250001423900	-2.001	-0.0684
-20	V_{nom}	29.250003425	29.250002057500	-1.367	-0.0468
-10	V_{nom}	29.250003425	29.250002678100	-0.747	-0.0255
0	V_{nom}	29.250003425	29.250002861900	-0.563	-0.0193
10	V_{nom}	29.250003425	29.250002953100	-0.472	-0.0161
20	V_{min}	29.250003425	29.250003125100	-0.300	-0.0103
20	V_{nom}	29.250003425	29.250003120200	-0.305	-0.0104
20	V_{max}	29.250003425	29.250003121700	-0.303	-0.0104
30	V_{nom}	29.250003425	29.250003761800	0.337	0.0115
40	V_{nom}	29.250003425	29.250003812900	0.388	0.0133
50	V_{nom}	29.250003425	29.250003814100	0.389	0.0133

f_i :

Temperature [°C]	Voltage [V AC]	Reference Frequency [GHz]	Measured Frequency [GHz]	Deviation [kHz]	Deviation [ppm]
-30	V_{nom}	28.350003583	28.350001392800	-2.190	-0.077
-20	V_{nom}	28.350003583	28.350001737900	-1.845	-0.065
-10	V_{nom}	28.350003583	28.350002109000	-1.474	-0.052
0	V_{nom}	28.350003583	28.350002490800	-1.092	-0.039
10	V_{nom}	28.350003583	28.350002803700	-0.779	-0.027
20	V_{min}	28.350003583	28.350003429600	-0.153	-0.005
20	V_{nom}	28.350003583	28.350003430000	-0.153	-0.005
20	V_{max}	28.350003583	28.350003429900	-0.153	-0.005
30	V_{nom}	28.350003583	28.350003654500	0.072	0.003
40	V_{nom}	28.350003583	28.350003691800	0.109	0.004
50	V_{nom}	28.350003583	28.350003682900	0.100	0.004

f_h:

Temperature [°C]	Voltage [V AC]	Reference Frequency [GHz]	Measured Frequency [GHz]	Deviation [kHz]	Deviation [ppm]
-30	V _{nom}	30.000003676	30.000001453000	-2.223	-0.074
-20	V _{nom}	30.000003676	30.000001816300	-1.860	-0.062
-10	V _{nom}	30.000003676	30.000002239900	-1.436	-0.048
0	V _{nom}	30.000003676	30.000002620100	-1.056	-0.035
10	V _{nom}	30.000003676	30.000002978460	-0.698	-0.023
20	V _{min}	30.000003676	30.000003632400	-0.044	-0.001
20	V _{nom}	30.000003676	30.000003631800	-0.044	-0.001
20	V _{max}	30.000003676	30.000003633500	-0.042	-0.001
30	V _{nom}	30.000003676	30.000003866130	0.190	0.006
40	V _{nom}	30.000003676	30.000003888650	0.213	0.007
50	V _{nom}	30.000003676	30.000003887600	0.212	0.007

Test setup: 7.2 + climatic chamber

Note:

For performing the frequency stability test the whole system was placed in the climatic chamber and forced to transmit an unmodulated carrier (CW).

9.8 Receiver Spurious Emission Limits (radiated emissions)

Description / Limit:

SRSP-101, 4.5 Receiver Spurious Emission Limits for Space Radiocommunication Services

Receiving earth stations may not emit electromagnetic waves that have a field strength greater than that which would occur if the stations were replaced by an isotropic transmitter of five nanowatts (= -53 dBm).

Measurement results:

Radiated Spurious Emissions [dBm]								
bottom			middle			top		
F [GHz]	Detector	Level [dBm]	F [GHz]	Detector	Level [dBm]	F [GHz]	Detector	Level [dBm]
			1.320	RMS	-53.5			
Measurement uncertainty			± 2 dB					

Note:

Test setup:

Test setup 7.1

Plots:

see Annex E, chap. 2, plot 36 - 40

see Annex E, chap. 3, plot 4

10 Glossary

EUT	Equipment under test
DUT	Device under test
UUT	Unit under test
GUE	GNSS User Equipment
ETSI	European Telecommunications Standards Institute
EN	European Standard
FCC	Federal Communications Commission
FCC ID	Company Identifier at FCC
IC	Industry Canada
PMN	Product marketing name
HMN	Host marketing name
HVIN	Hardware version identification number
FVIN	Firmware version identification number
EMC	Electromagnetic Compatibility
HW	Hardware
SW	Software
Inv. No.	Inventory number
S/N or SN	Serial number
C	Compliant
NC	Not compliant
NA	Not applicable
NP	Not performed
PP	Positive peak
QP	Quasi peak
AVG	Average
OC	Operating channel
OCW	Operating channel bandwidth
OBW	Occupied bandwidth
OOB	Out of band
DFS	Dynamic frequency selection
CAC	Channel availability check
OP	Occupancy period
NOP	Non occupancy period
DC	Duty cycle
PER	Packet error rate
CW	Clean wave
MC	Modulated carrier
WLAN	Wireless local area network
RLAN	Radio local area network
DSSS	Dynamic sequence spread spectrum
OFDM	Orthogonal frequency division multiplexing
FHSS	Frequency hopping spread spectrum
GNSS	Global Navigation Satellite System
C/N₀	Carrier to noise-density ratio, expressed in dB-Hz

11 Document history

Version	Applied changes	Date of release
-/-	Initial release - DRAFT	2022-05-27
-/-	Initial release	2022-06-21
A	applicant and manufacturer details updated kind of test item and model name updated temperature range supported by EUT corrected	2022-09-15

12 Accreditation Certificate

first page	last page
 <p>Deutsche Akkreditierungsstelle GmbH</p> <p>Entrusted according to Section 8 subsection 1 AkkStelleG in connection with Section 1 subsection 1 AkkStelleGBV Signatory to the Multilateral Agreements of EA, ILAC and IAF for Mutual Recognition</p> <p>Accreditation </p> <p>The Deutsche Akkreditierungsstelle GmbH attests that the testing laboratory CTC advanced GmbH Untertürkheimer Straße 6-10, 66117 Saarbrücken is competent under the terms of DIN EN ISO/IEC 17025:2018 to carry out tests in the following fields: Telecommunication (FCC Requirements)</p> <p>The accreditation certificate shall only apply in connection with the notice of accreditation of 09.06.2020 with the accreditation number D-PL-12076-01. It comprises the cover sheet, the reverse side of the cover sheet and the following annex with a total of 05 pages.</p> <p>Registration number of the certificate: D-PL-12076-01-05</p> <p>Frankfurt am Main, 09.06.2020 by  Head of Division</p> <p><small>The certificate together with its annex reflects the status at the time of the date of issue. The current status of the scope of accreditation can be found in the database of accredited bodies of Deutsche Akkreditierungsstelle GmbH. https://www.dakks.de/en/content/accredited-bodies-dakks See notes overleaf.</small></p>	<p>Deutsche Akkreditierungsstelle GmbH</p> <p>Office Berlin Spittelmarkt 10 10117 Berlin</p> <p>Office Frankfurt am Main Europa-Allee 52 60327 Frankfurt am Main</p> <p>Office Braunschweig Bundesallee 100 38116 Braunschweig</p> <p>The publication of extracts of the accreditation certificate is subject to the prior written approval by Deutsche Akkreditierungsstelle GmbH (DAkKS). Exempted is the unchanged form of separate disseminations of the cover sheet by the conformity assessment body mentioned overleaf.</p> <p>No impression shall be made that the accreditation also extends to fields beyond the scope of accreditation attested by DAkKS.</p> <p>The accreditation was granted pursuant to the Act on the Accreditation Body (AkkStelleG) of 31 July 2009 (Federal Law Gazette I p. 2625) and the Regulation (EC) No 765/2008 of the European Parliament and of the Council of 9 July 2008 setting out the requirements for accreditation and market surveillance relating to the marketing of products (Official Journal of the European Union L 218 of 9 July 2008, p. 30). DAkKS is a signatory to the Multilateral Agreements for Mutual Recognition of the European co-operation for Accreditation (EA), International Accreditation Forum (IAF) and International Laboratory Accreditation Cooperation (ILAC). The signatories to these agreements recognise each other's accreditations.</p> <p>The up-to-date state of membership can be retrieved from the following websites: EA: www.european-accreditation.org ILAC: www.ilac.org IAF: www.iaf.nu</p>

Note: The current certificate annex is published on the website (link see below) of the Accreditation Body DAkKS or may be received by CTC advanced GmbH on request

<https://www.dakks.de/as/ast/d/D-PL-12076-01-05e.pdf>

END OF TEST REPORT