

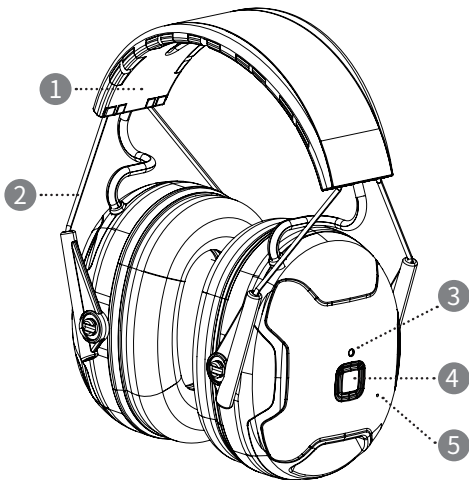


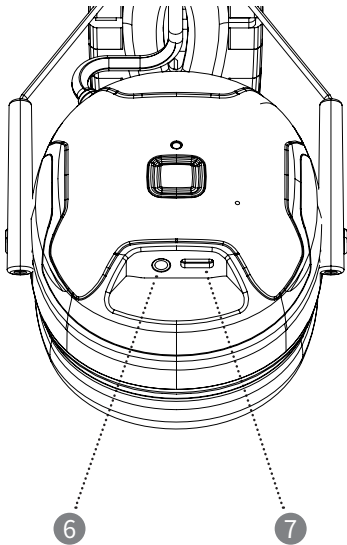
C30 蓝牙防护耳机
用户指南

感谢您选择 EARMOR®

EARMOR® 听力防护设备旨在为用户提供保护，
使其免受有害噪音的影响。

部件





- ① 头带
- ② 支架
- ③ 指示灯
- ④ 多功能键
- ⑤ 麦克风
- ⑥ 3.5mm AUX-in 孔
- ⑦ Type-C 充电口

认证

EARMOR® C30 防护耳机根据以下标准进行测试和认证
ANSI S3.19-1974, EN 352-1: 2020, EN 352-6: 2020
降噪值: 27dB

EARMOR® C30 衰减数据, 根据美国国家标准学会规格
ANSI S3.19-1974

| 频率 (赫兹) | 125 | 250 | 500 | 1000 | 2000 | 3150 | 4000 | 6300 | 8000 | 降噪值 (NRR) |
|-----------|------|------|------|------|------|------|------|------|------|-----------|
| 平均衰减 (分贝) | 22.4 | 25.8 | 33.6 | 32.9 | 32.3 | 40.0 | 44.6 | 44.9 | 44.0 | 27 |
| 标准差 | 2.5 | 2.5 | 2.4 | 2.7 | 2.5 | 3.0 | 2.7 | 1.8 | 2.7 | |

产品描述

EARMOR® C30 蓝牙防护耳机可以在嘈杂环境中提供听力保护。它结合了现代、舒适的设计和高保真的音质。这种听力保护让您方便地拨打和接听电话。配备蓝牙无线技术, 它允许您从智能手机或其他移动设备流式传输您选择的娱乐, 同时在嘈杂的环境中提供听力保护。内置的舒适功能, 如柔软的耳垫和帽子兼容的头带, 非常适合长时间佩戴。适用于石油天然气行业、矿业、汽车制造、建筑施工、食品饮料制造、林业、金属制造、交通运输、军工维修、设备维修。C30 能让你的工作日更有趣, 重要的是更舒适。

重要信息

- 为确保有效保护, 耳垫应紧贴耳朵周边以免影响密封性。如长发 (尽可能扎起), 过厚的眼镜腿或帽子等物体都有可能影响耳机的密封性。
- 耳垫必须进行定期检查及维护, 以防出现破裂或磨损而影响性能, 正常使用下耳垫的使用寿命可达 12 个月。
- 定期用酒精棉清洁耳机的外部。切勿将整个耳机浸入水中。
- 请勿将耳机进行曝晒或存放于温度高于 131° F (55°C) 的区域。
- 某些化学物质可能会损坏本产品, 请联系官方售后邮箱 cs@earmor.com 以获取更多信息。

重要提示

如果不遵守使用说明，可能会导致人身伤害或严重影响使用效果。耳机，如出现干扰增大或音量太弱等问题时，需要及时更换新电池。佩戴耳机有助于减少暴露于噪音环境中的危险，任何使用不当或未佩戴耳机，都会导致听力受损或丧失。

如果您的耳部有任何不适或感染，请在佩戴耳机前咨询相关医生，以免造成听力受损或丧失。

关于正确使用方法，请参阅用户说明书或联系 EARMOR 客户服务，电子邮件：cs@earmor.com。

在使用产品过程中为降低安全风险，请遵守以下描述：

- 产品内置了锂离子电池，请勿擅自打开、挤压，或者在 50°C (122° F) 以上环境使用。
- 如果耳机或附件有任何损坏或故障时，请立即停止使用，并联系 OPSMEN 官方售后部门，以获得维修服务。
- 使用该产品听音乐或音频通信可能会降低您的情境意识和听到警告信号的能力。保持警惕并将音量调整到可接受的最低水平。
- 确保正确使用和维护听力保护装置，每次使用前应检查听力保护装置，如果出现损坏，请选择未损坏的听力保护装置或避免嘈杂的环境。
- 请勿过度弯曲或改造头带，并确保有足够的夹力让耳罩固定。耳罩，尤其是耳套部件，可能会随着使用而老化，应经常检查是否有裂纹和泄漏等情况。定期使用时，每年至少更换两次耳垫和耳套，以保持始终如一的保护、卫生和舒适度。
- 本听力保护装置的电子音频电路的输出可能会超过每日限制声级，请将音频音量调整到可接受的最低水平。

使用操作说明

• 使用前

调整头带，延伸两边支架，将两端耳罩完全覆盖住耳朵，然后收缩支架使头带紧贴头部。

• 开关机

关机状态下，长按【多功能键】约 2 秒，机子开机，即会听到：“POWER ON”提示音，随之会听到电池电量提示音，如“Battery medium”或者“Battery low”等以示目前电池电量情况。

开机状态下，长按【多功能键】约 4 秒，机子关机，即会听到“POWER OFF”提示音，指示灯亮红灯 2 秒后熄灭。

• 蓝牙连接

- 机子开机后，会自动进入蓝牙配对模式，指示灯红蓝交错闪烁，同时会听到“Bluetooth® Paring On”的提示音；
- 该产品的蓝牙设备名称为：C30，在手机或者其他设备的蓝牙配对列表中选择该产品；
- 蓝牙连接成功后，会听到提示音：“Bluetooth® Connected”。
- 除了第一次开机，后续每一次开机后，机子都会自动回连最后一次连接的设备；
- 关机状态下长按【多功能键】7 秒，机子开机并强制清除蓝牙配对列表。
- 若 5 分钟内，没有成功蓝牙连接（且 AUX-IN 孔没插着线），机子会自动关机。

• 蓝牙操作

- 蓝牙连接成功后，单击【多功能键】可播放 / 暂停音乐；
- 音乐播放中，双击【多功能键】，跳到下一首播放。三击【多功能键】，跳回上一首歌曲播放；
- 音乐播放中，若手机来电，单击【多功能键】可接听电话。长按【多功能键】可拒接来电。接听电话过程中，单击【多功能键】可以结束通话，会听到提示音“Call Terminated”。

• AUX 模式

所有模式下，插入 3.5mm 线，机子自动转到 AUX 模式。

• 音量


通过外接音源设备进行音量大小调节。

充电

- 可通过充电线连接机子的 TYPE-C 接口进行充电；
- 充电过程中，指示灯为红色，充满电后，指示灯熄灭。
- * 请勿自行拆开机子更换电池。

EN 352 安全声明:

- 此听力保护设备的电平相关电路的输出可能会超过外部声级。
- 将卫生罩安装到垫子上可能会影响耳罩的声学性能。
- 性能可能会随着电池的使用而下降。耳罩电池可预期的典型连续使用时间约为 8-13 小时。
- 本产品可能会受到某些化学物质的不利影响。
应从制造商处获取更多信息。

 本产品包含电气和电子元件，不得使用标准垃圾收集进行处理。
— 请查阅当地的电气和电子设备处置指令。

FCC 警告

本设备符合 FCC 法规的第十五条。操作须符合以下两个条件：

- (1) 本设备不得造成有害干扰。
- (2) 本设备必须接受任何收到的干扰，包括可能引起不当操作的干扰。

注意：根据 FCC 规则第十五条，本设备已经过测试，符合 B 类电子数字设备的限制。这些限制旨在提供合理的保护，防止住宅安装使用时出现的有害干扰。

本设备会产生、使用和辐射无线电频率能量，如果不按照说明进行安装和使用，可能会对无线电通信造成有害干扰。我们不能保证在特定的安装环境下不会发生干扰。如果本设备确实对无线电或电视接收造成有害干扰，可以通过关闭和打开设备进行调整，用户可尝试通过以下一项或多项措施来纠正干扰：

- 调整接收天线的方向或重新定位。
 - 增加设备和接收器之间的间隔。
 - 将设备连接到与接收器所连接的电路不同的插座上。
 - 请咨询经销商或有经验的无线电 / 电视技术人员的帮助。
- 注意：对于任何未经负责方明确批准的更改或修改，受赠方不负责任。这种修改可能使用户操作设备的权力失效。该设备已经被评估为符合一般的射频暴露要求。为遵守 FCC 的 RF 暴露准则，辐射器和你的身体之间的距离必须至少为 20 厘米。
- 辐射器和你的身体之间的距离，并由发射器及其天线的操作和安装配置完全支持。

产品参数：

- 电池容量：600 mAh
- 续航时间：40 小时（视具体情况）
- 充电电流：500mA
- 工作电流： $\leq 15\text{mA}$
- 工作温度： $-20^{\circ}\text{C} \sim 50^{\circ}\text{C}$
- 储存温度（全套套件）： $-20^{\circ}\text{C} \sim 70^{\circ}\text{C}$
- 充电温度： $0^{\circ}\text{C} \sim 45^{\circ}\text{C}$

音频输入水平

耳机中的音频取决于输入设备音量。为了防止有害噪音，当连接到个人音乐播放器 (PMP) 时，听力保护设备的音频水平被限制在 82dB。如果耳机与 PMP 或其他高电平输出的设备连接时，用户应将将音频输入值设置为安全值。

维修服务

EARMOR® C30 蓝牙防护耳机自购买之日起一年内可免费进行维修或者部件更换。

本保修服务不适用以下情况：

1. 产品被拆解、重新组装和 / 或由未经授权方修改。
2. 产品因使用不当而损坏。



CE
EN352

ANSI
S3.19-1974

FC RoHS



联系我们

关于 EARMOR® 产品和服务的最新信息

请联系当地经销商或发送电子邮件：info@earmor.com / cs@earmor.com 如有任何产品数据变化，请以官网信息为准：

EARMOR® 官方网站：www.earmor.com

广州行动者科技有限责任公司

电话：+86 20 81179170 传真：+86 20 81179171

邮件：info@opsmen.com / cs@opsmen.com

地址：中国广东省广州市荔湾区荔湾路第 94 号 A 栋 601 室



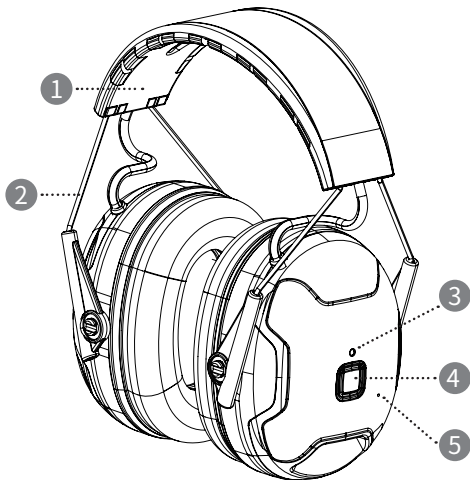
C30

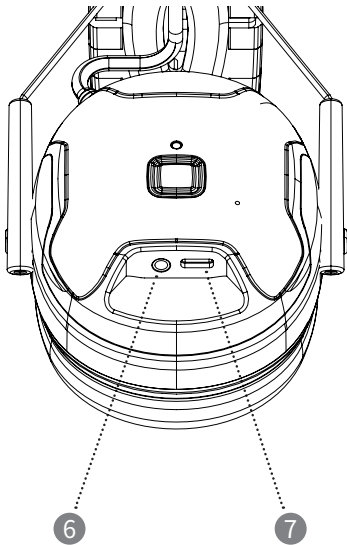
Bluetooth® Hearing Protection Headset

User instructions

Congratulations and thanks for your choosing EARMOR®
EARMOR® Hearing Protectors designed to protect users from harmful noise.

Overview





- ① Headband
- ② Slider
- ③ LED indicator
- ④ Multi-function button

- ⑤ Microphone
- ⑥ 3.5mm AUX-in socket
- ⑦ Type-C charging port

APPROVED

EARMOR® C30 headset is tested and certified according to the following standards:

ANSI S3.19-1974

EN 352-1:2020

EN 352-6:2020

Noise Reduction Rating: 27dB

EARMOR® C30 Attenuation data, American National Standards Institute specifications:

ANSI S3.19-1974

| TEST FREQ.(Hz) | 125 | 250 | 500 | 1000 | 2000 | 3150 | 4000 | 6300 | 8000 | NRR |
|------------------------|------|------|------|------|------|------|------|------|------|-----|
| MEAN ATTENUATION(dB) | 22.4 | 25.8 | 33.6 | 32.9 | 32.3 | 40.0 | 44.6 | 44.9 | 44.0 | 27 |
| STANDARD DEVEATION(dB) | 2.5 | 2.5 | 2.4 | 2.7 | 2.5 | 3.0 | 2.7 | 1.8 | 2.7 | |

DESCRIPTION

EARMOR® C30 Bluetooth® Hearing Protection Headset can provide hearing protection in noisy environments. It combines a modern, comfortable design with high-fidelity sound quality. This hearing protection lets you conveniently make and take phone calls. Equipped with Bluetooth® Wireless Technology, it allow you to stream the entertainment of your choice from your smartphone or other mobile device, while providing hearing protection in noisy environments. The low profile and lightweight design is crafted with style in mind. Built-in comfort features such as soft ear cushions and a hat-compatible headband are excellent for extended wear. Be suitable for oil and gas industry, mining industry, automobile manufacturing, building construction, food and beverage manufacturing, forestry, metal manufacturing, transportation, military maintenance, equipment maintenance. C30 to help make your workday entertaining and most importantly comfortable.

INFORMATIONS

- For the best protection, ear cushion sealing ring should seal firmly against head. Anything that interferes with the seal --- such as long hair (pull back to the extent possible), thick or poorly fitting eyeglass temples, pencils or caps will lessen the protection.
- Earmuffs must be regularly inspected for cracks or worm parts and replaced as needed. Typical life for foam cushion sealing rings is 12 months.

- Clean the exterior of the hearing protector regularly with soap and warm water. Do not immerse the whole headset in water.
- Do not store the hearing protector behind a windshield or at temperatures above 131°F(55°C).
- Certain chemical substances may damage this product. Contact the manufacturer for more information.

CATION

Failure to follow usage instructions may result in personal injury or significant impact on the headset's performance, such as increased interference or weakened volume. In such cases, the batteries should be replaced promptly. Wearing a headset helps reduce the risk of exposure to noisy environments, and any misuse or failure to wear the headset can lead to hearing impairment or loss. If you have any discomfort or infection in your ear, please consult a relevant doctor before wearing the headset to avoid causing hearing impairment or loss. For proper use, see user instructions or contact EARMOR® customer service Email: cs@ earmor.com

TO REDUCE THE SAFETY RISK WHEN USING THE PRODUCT

The product has a built-in lithium-ion battery, please do not open, squeeze, or heat above 50 °C (122°F) or incinerate.

If there is any damage or malfunction of the headset or accessories, stop using it. Contact OPSMEN official after-sales mailbox CS@OPSMEN.COM for maintenance service.

Listening to music or audio communications using this product may reduce your situational awareness and ability to hear warning signs. Stay alert and adjust the volume to the lowest acceptable level. Ensure proper use and maintenance of hearing protection devices, check hearing protection devices before each use, if damaged, choose undamaged hearing protection devices or avoid noisy environments.

Do not over-bend or alter the headband, and ensure that there is enough clamp force to hold the earmuffs in place. Earmuffs, especially earmuff components, may age with use and should be checked frequently for cracks and leaks. For regular use, replace your ear pads and muffs at least twice a year for consistent protection, hygiene, and comfort.

The output of the electronic audio circuit of this hearing protection device may exceed the daily limit sound level. Please adjust the audio volume to the lowest acceptable level.

OPERATION INSTRUCTIONS

• Before Use

- Adjust the headband by extending both brackets so that the earmuffs cover your ears completely, then shrink the brackets so that the headband fits against your head.

• Power ON/OFF

- Long press [Multi-Function Button] 2 seconds to turn on the unit. Will hear "POWER ON" and will hear the battery level such as "Battery medium" or "Battery low".
- Long press [Multi-Function Button] 4 seconds to turn off the unit. Will hear "POWER OFF".

• Bluetooth® Mode

- The unit will enter the Bluetooth® pairing mode automatically, the indicator flashes red and blue, and you will hear "Bluetooth® Pairing On";
- The unit Bluetooth® pairing name is C30.
- You will hear "Bluetooth® Connected" after Bluetooth® connected successfully.
- The unit will connect back the last device automatically.
- Long press [Multi-Function Button] 7 seconds to clear the Bluetooth® pair list.
- If no connection with a paired device. The unit will switch off after 5 mins.

• Bluetooth® operation

- Click [Multi-Function Button] to play/pause music.
- Click [Multi-Function Button] twice to skip forwards to the next title in the playlist.
- Click [Multi-Function Button] 3 times to skip forwards to the previous title in the playlist.
- Click [Multi-Function Button] to answer incoming call.
- Long press [Multi-Function Button] to reject incoming call.
- Click [Multi-Function Button] again to hang up the call.

• AUX Mode

The unit will switch AUX-in mode when plug-in the 3.5mm audio cable.

• Volume Adjust

Adjust the volume through external connected device.

Charging

- Connect the TYPE-C interface through the charging cable for charging. When the headset is in the charging state, the indicator light is red; and when the headset is fully charged, the indicator switch off.
- * Do not open the battery compartment or replace the battery by yourself.

EN 352 SAFETY INFORMATION

- The output of the level-dependent circuit of the hearing protector may exceed the external sound level.
- Installing the sanitary cover on the cushion may affect the acoustic performance of the earmuffs.
- Performance will decrease with battery consumption. The expected continuous use time of the battery is approximately 8-13 hours.
- Maybe adversely affected by certain chemical substances. More information can be get from the manufacturer.



This product contains electrical and electronic components and must not be disposed of using standard garbage collection. Please consult your local electrical and electronic equipment disposal instructions.

FCC WARNING

This device complies with part 15 of the FCC Rules. Operation is subject to the following two conditions:

- (1) This device may not cause harmful interference, and
- (2) this device must accept any interference received, including interference that may cause undesired operation.

Note: This equipment has been tested and found to comply with the limits for a Class B digital device, pursuant to part 15 of the FCC Rules. These limits are designed to provide reasonable protection against harmful interference in a residential installation. This equipment generates, uses and can radiate radio frequency energy and, if not installed and used in accordance with the instructions, may cause harmful interference to radio communications. However, there is no guarantee that interference will not occur in a particular installation. If this equipment does cause harmful interference to radio or television reception, which can be determined by turning the equipment off and on, the user is encouraged to try to correct the interference by one or more of the following measures:

- Reorient or relocate the receiving antenna.
- Increase the separation between the equipment and receiver.
- Connect the equipment into an outlet on a circuit different from that to which the receiver is connected.
- Consult the dealer or an experienced radio/TV technician for help.

Note: The Grantee is not responsible for any changes or modifications not expressly approved by the party responsible for compliance. such modifications could void the user's authority to operate the equipment. The device has been evaluated to meet general RF exposure requirement. The device can be used in portable exposure condition without restriction.

SPECIFICATIONS

Battery Capacity: 600 mAh

Life time: 40 hours

Charging current: 500mA

Operation current: $\leq 15\text{mA}$

Operation temperature: $-20^{\circ}\text{C} \sim 50^{\circ}\text{C}$

Storage temperature: $-20^{\circ}\text{C} \sim 70^{\circ}\text{C}$

Charing temperature: $0^{\circ}\text{C} \sim 45^{\circ}\text{C}$

AUDIO INPUT LEVEL

The audio level in the hearing protector is dependent on the audio input level. To prevent harmful noise levels, the hearing protector audio levels is limited to 82dB when connected to a Personal Music Player (PMP). If the hearing protector is connected to a PMP or other device with very high output level, it is the user's responsibility to set the audio input level to a safe level.

WARRANTY

EARMOR[®] C30 Bluetooth[®] Hearing Protection Headset is warranted to be free of defects in material and workmanship for a period of 1 year from the date of original purchase.

The warranty is nullified in all of the following situations:

1. The product(s) is/are broken down, reconstructed and/or modified by unauthorized parties.
2. The product(s) is/are damaged through improper use.
3. The product(s) is/are damaged by leakage of batteries.



CE **ANSI**
EN352 S3.19-1974

FC **RoHS**



OPSMEN TECH CO., LTD.

Tel: +86 20 81179170

Fax: +86 20 81179171

E-mail: cs@earmor.com / info@earmor.com

Add: Room 601, Building A, No.94 Liwan Road, Liwan District, Guangzhou, Guangdong Province, China