



ITON Technology Corp.

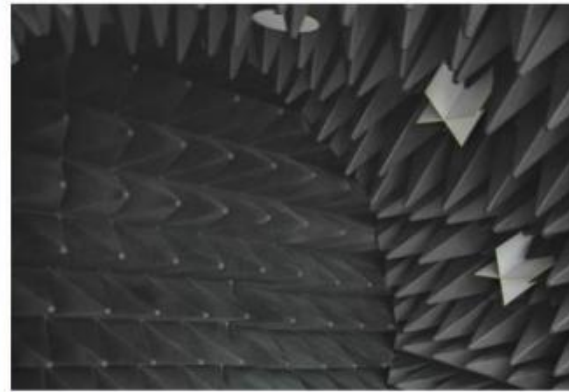
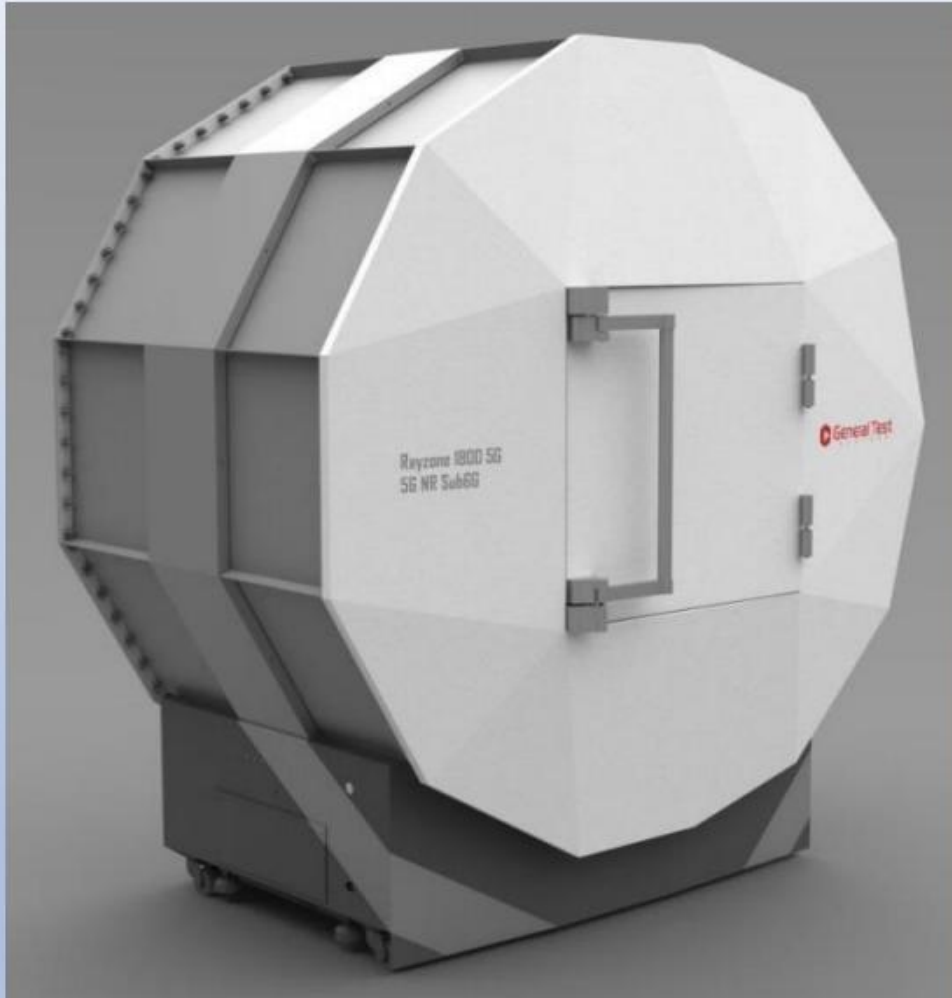
ITON · Antenna Test Report

RB8762-35A1 For NAVEE

China · Shenzhen

Stock code: 830982

Test environment



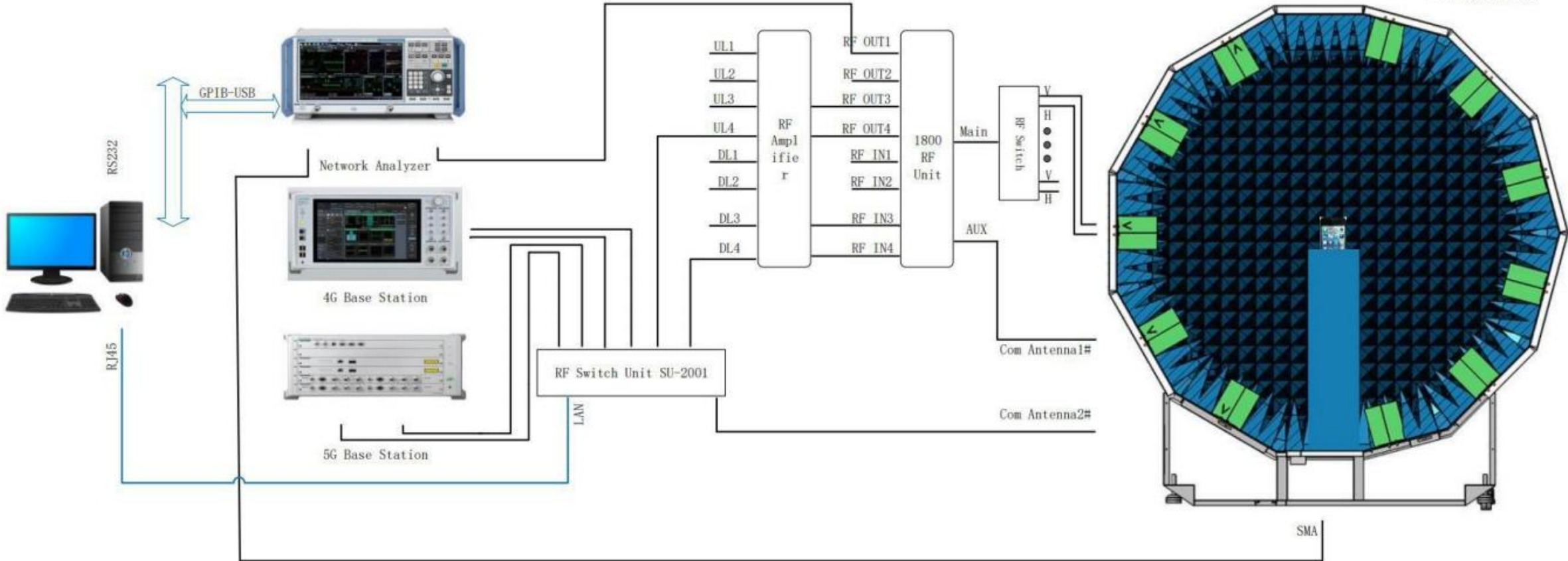
- Wireless communication standards: 2G/3G/4G/5G(FR1)/GNSS/A-GNSS/Wi-Fi/Bluetooth
- IoT Communication Standard: LTE Cat NB1(NB-IoT)/Cat-M1(e-MTC)
- SISO test TRP/TIS/EIRP/EIS, 2x2MIMO throughput rate test
- Passive Antenna Test, Desense Test, ICS
- Support 600MHz-7.5GHz band
- GTSMaxSian100 test software supports antenna/OTA testing, provides visual data analysis
- New EPP hard and environmentally friendly wave-absorbing material, low RCS high gain measurement antenna set, wave-transparent turntable and fixture
- Fast MIMO testing with certified test accuracy
- Integrated design, plug-and-play, easy maintenance

Test Principle



RayZone1800 Test Setup

Anechoic Chamber
GTS RayZone1800

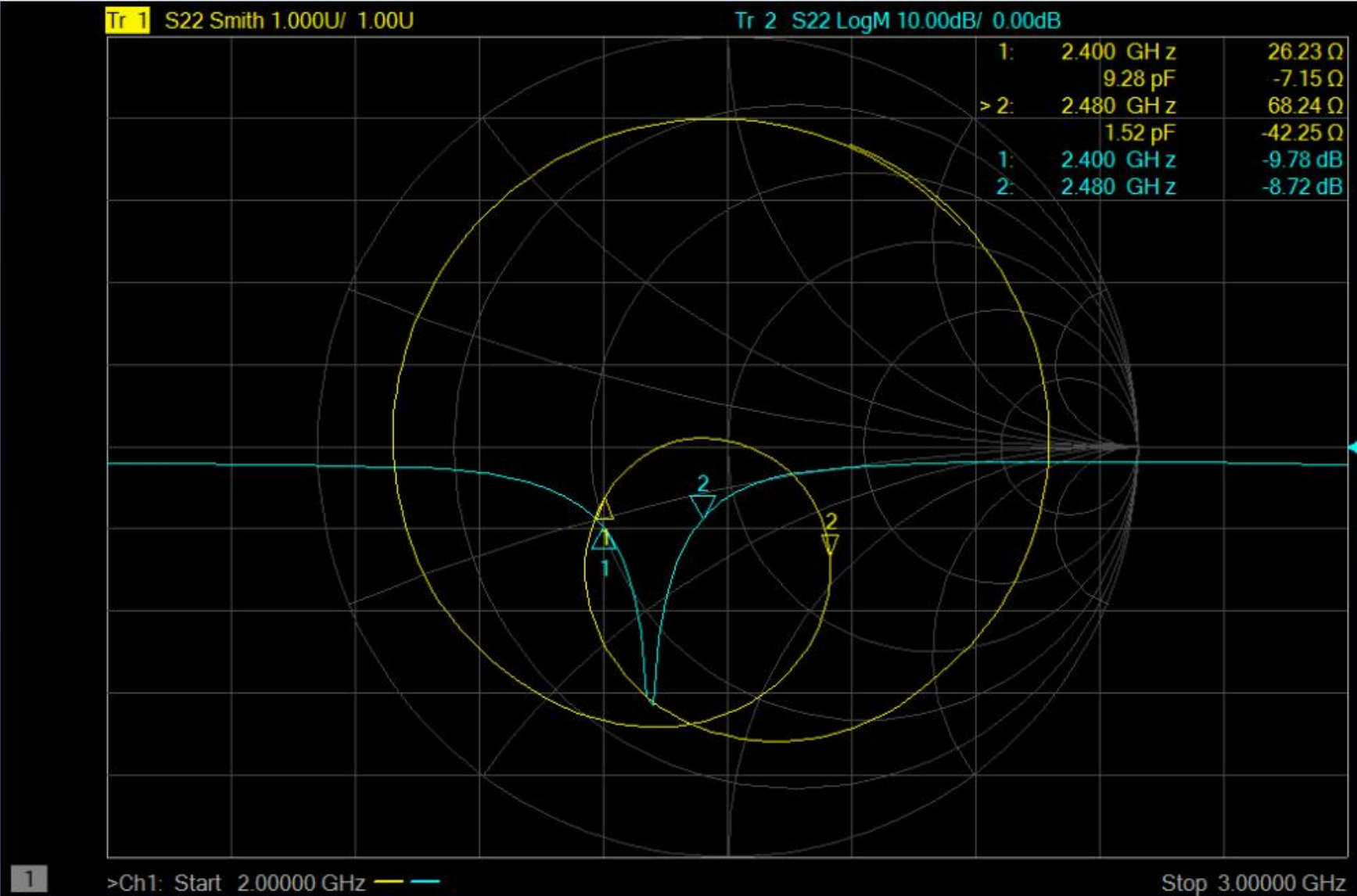


OTA Test Data

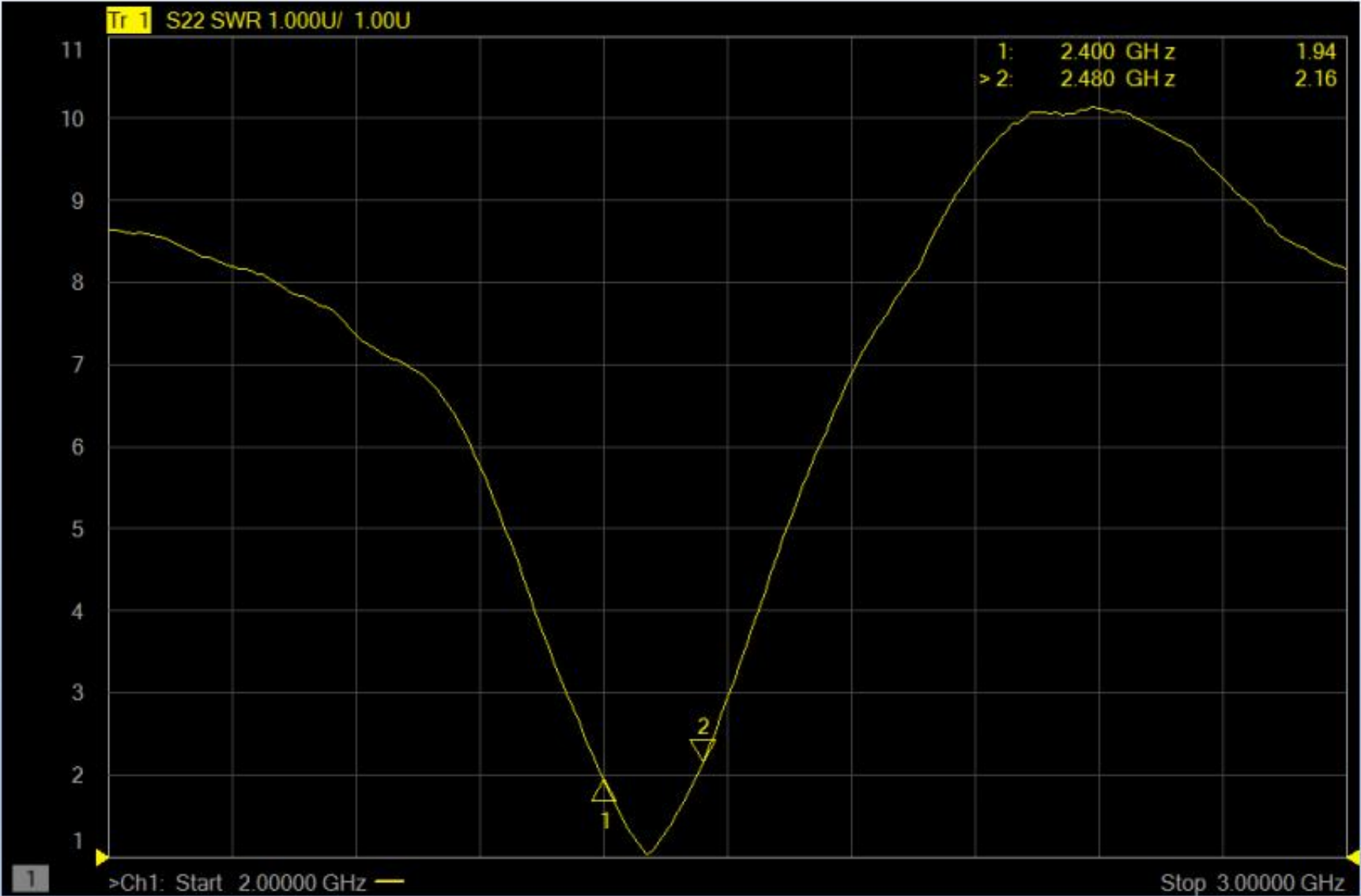


2.4G			
Freq	Efficiency_dB	Gain_dBi	Efficiency_Pcent_%
2400	-5.91	-0.57	25.63
2410	-5.75	-0.19	26.63
2420	-5.58	0.1	27.68
2430	-5.52	0.17	28.04
2440	-5.45	0.21	28.51
2450	-5.45	0.16	28.49
2460	-5.57	0	27.73
2470	-5.81	-0.26	26.25
2480	-6.14	-0.63	24.3
2490	-6.43	-1.05	22.73
2500	-6.81	-1.65	20.86

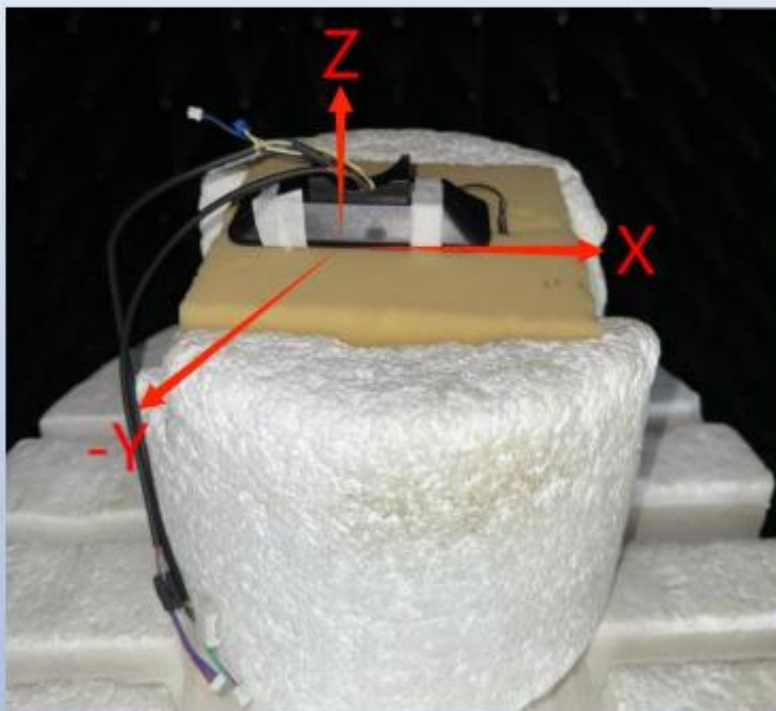
S11&Smith



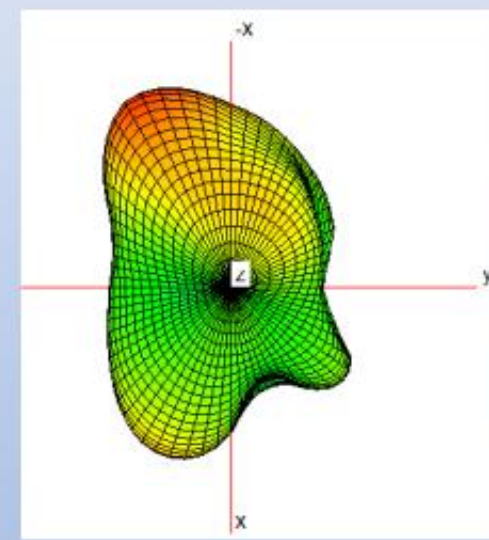
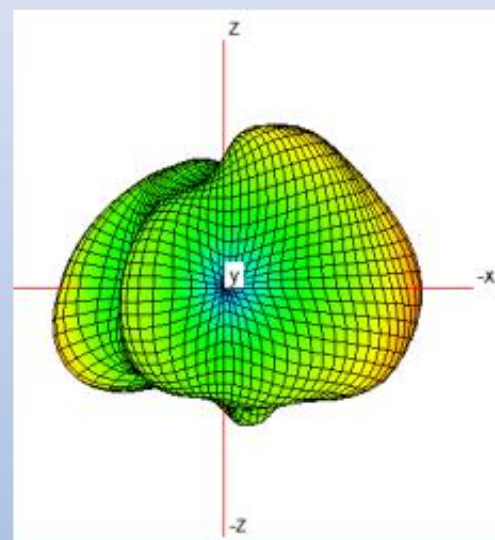
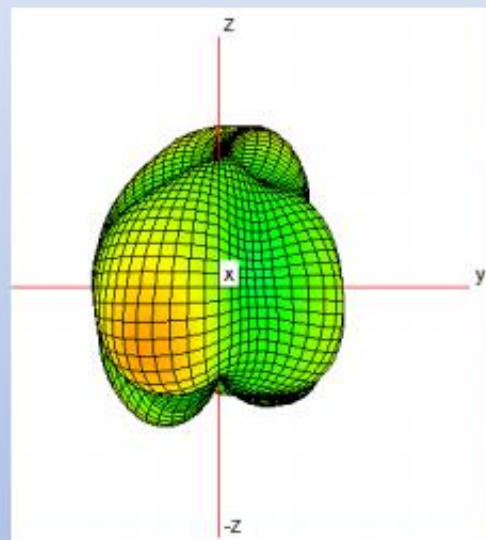
S11 SWR

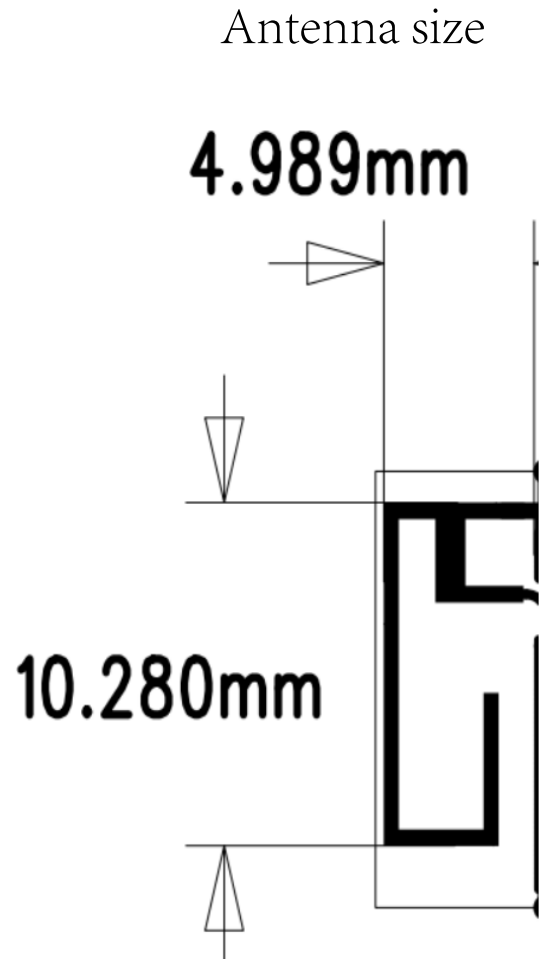


3D Radiation Pattern



2450MHz





Antenna location

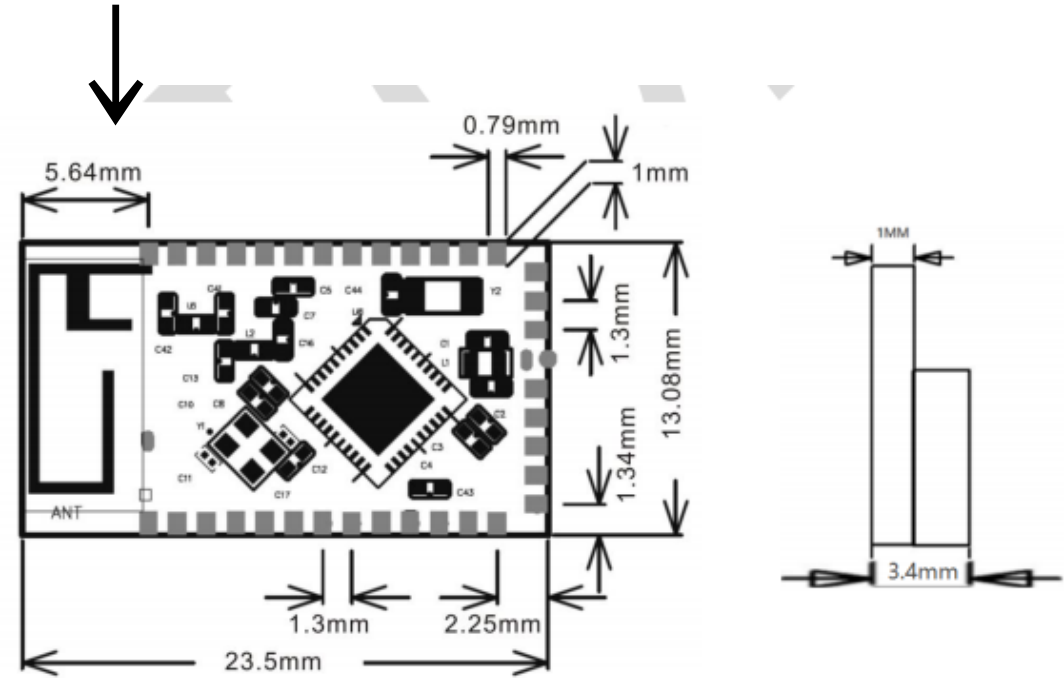


Figure 6. Mechanical Dimension of RB8762-35A1

Note: Unit is mm. Size tolerance: $\pm 0.13\text{mm}$.



Thanks !

ITON Technology Corp.

Room 1302, Block A, Building 4, Tianan Cyber Park, Huangge North Road,
Longgang District, Shenzhen, China

0755-82079390

www.sziton.com



Focus on wireless communication technology