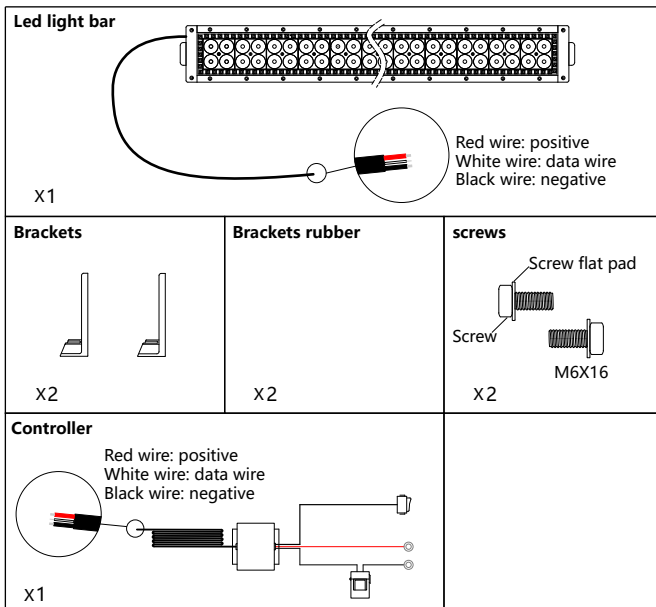


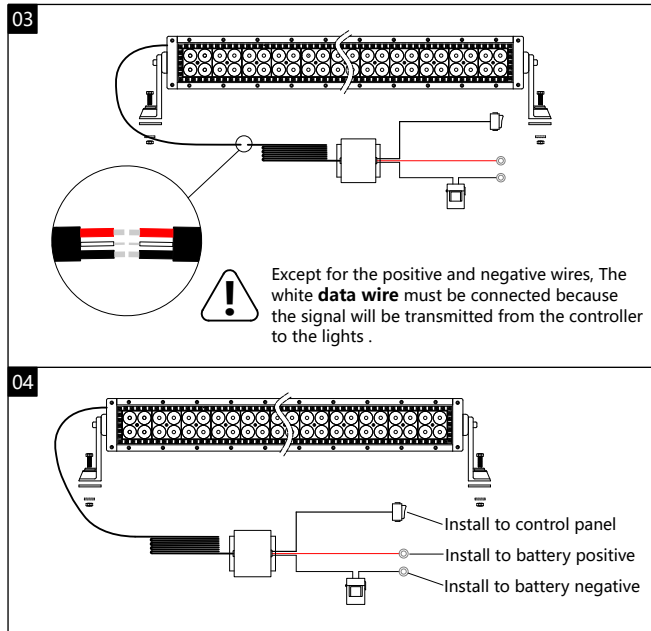
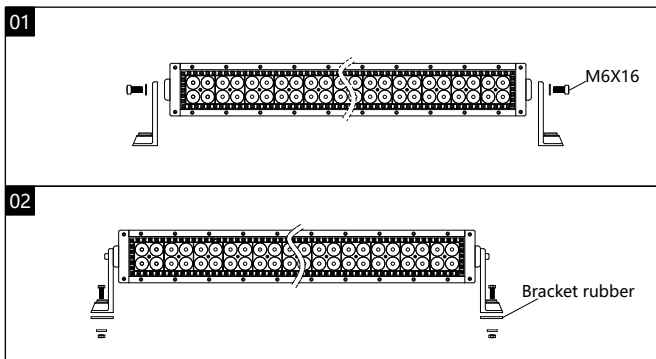
## Specification

Input Voltage	DC12V-16V
Operating tempera	-20°C~50°C
IP Grade	IP68
Control mode	moblie phone+infrared direct contro
Color	16 million colors
Chasing mode	more than 200 chasing mode

Package come with led light bar, Controller, screws, Brackets, Bracket rubber.



## How to build up light bar



## How to connet the Bluetooth

1. Scan the QR code of the control box or manual, or search "LED LAMP" on app store to download the app.



2. Turn on your phone bluetooth, and match the app succesfully.

### Open the APP show the Bluetooth connection fails.

1. please check whether your bluetooth decice in a state of electricity.
2. please check whether your bluetooth device is within range of a moblie phone bluetooth.
- 3.usually moblie phone bluetooth within 10 meters, different moblie have different disstance .
4. please refer to the previous bluetooth device connection to reconnect the device.
5. please uninstall the APP first, then restart your phone and reinstall APP again!!!

## **FCC Statement**

This device complies with Part 15 of the FCC Rules. Operation is subject to the following two conditions:

(1) This device may not cause harmful interference.

(2) This device must accept any interference received, including interference that may cause undesired operation.

2. Changes or modifications not expressly approved by the party responsible for compliance could void the user's authority to operate the equipment.

Note: This equipment has been tested and found to comply with the limits for a class B digital device, pursuant to Part 15 of the FCC Rules. These limits are designed to provide reasonable protection against harmful interference in a residential installation.

This equipment generates uses and can radiate radio frequency energy and, if not installed and used in accordance with the instructions, may cause harmful interference to radio communications. However, there is no guarantee that interference will not occur in a particular installation. If this equipment does cause harmful interference to radio or television reception, which can be determined by turning the equipment off and on, the user is encouraged to try to correct the interference by one or more of the following measures:

- Reorient or relocate the receiving antenna.
- Increase the separation between the equipment and receiver.
- Connect the equipment into an outlet on a circuit different from that to which the receiver is connected.
- Consult the dealer or an experienced radio/TV technician for help.

This equipment should be installed and operated with a minimum distance of 20 cm between the radiator and your body.