

# SPECIFICATION

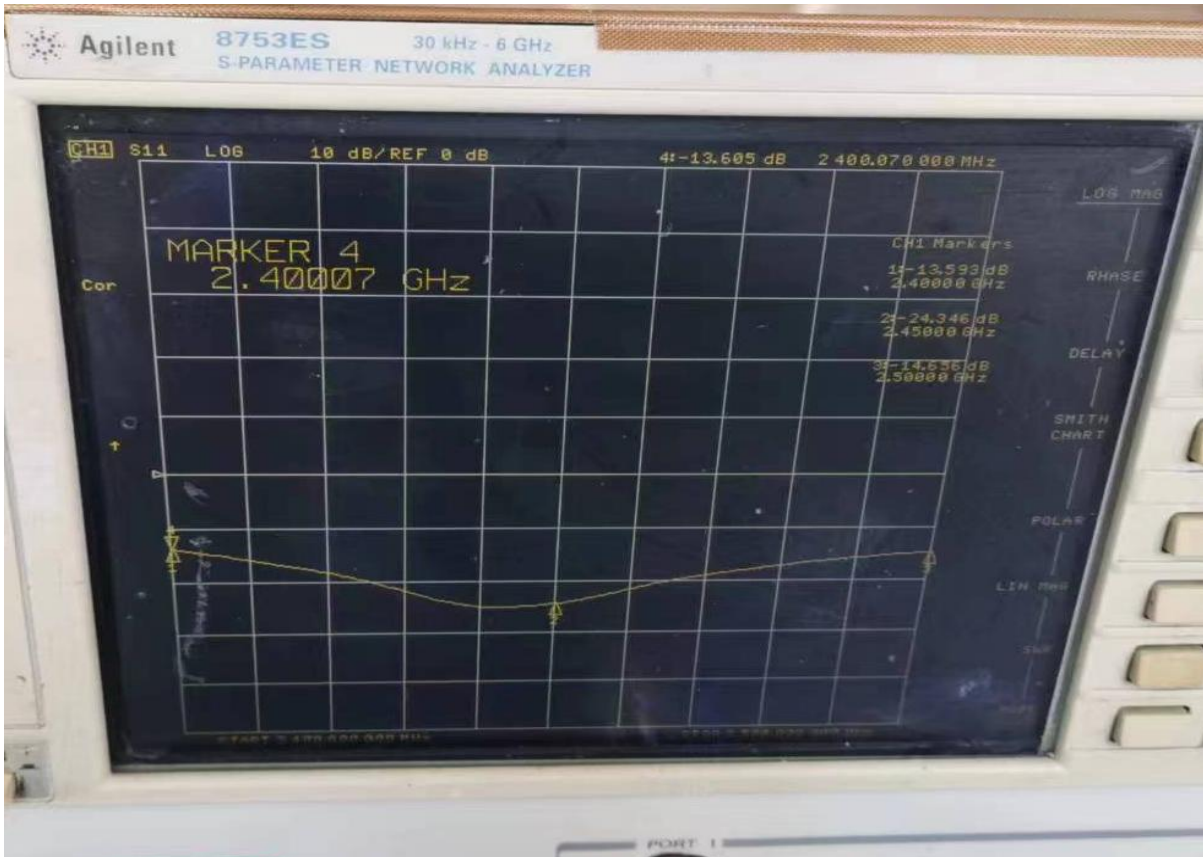
## Product Image

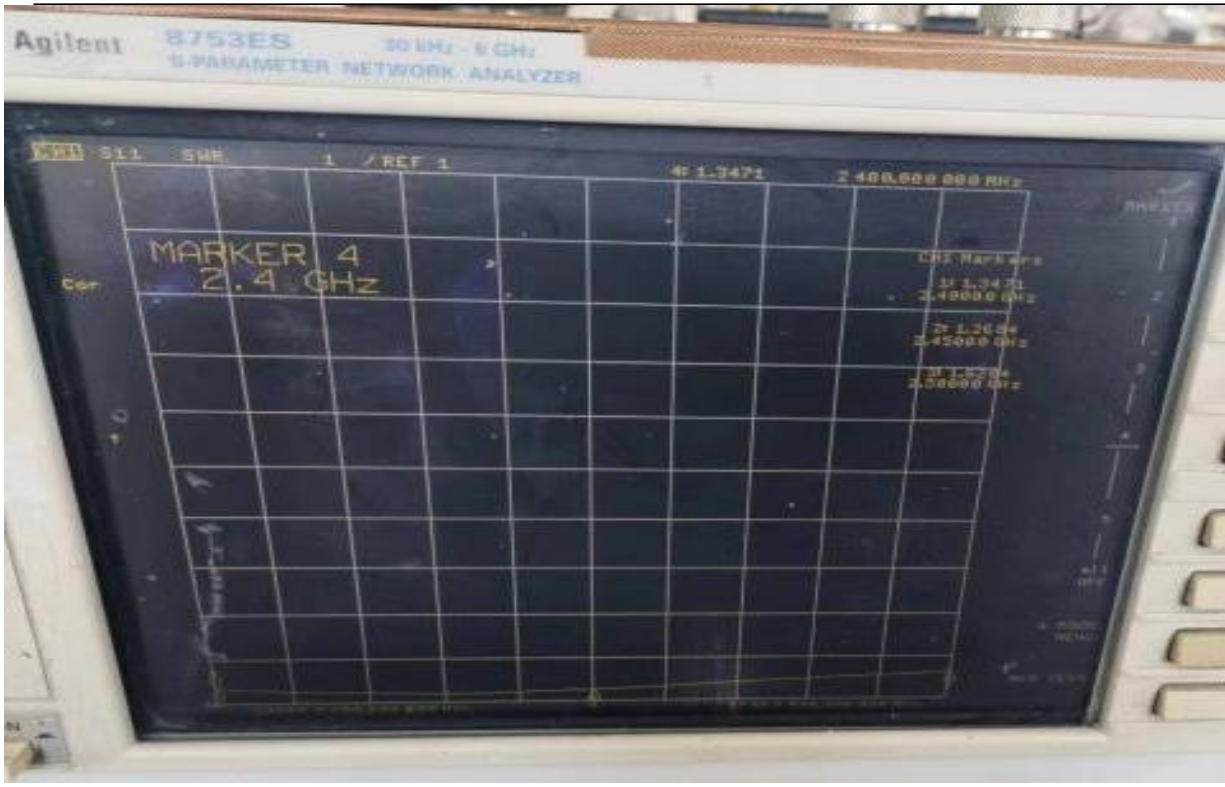


## Product Specifications

产品名称(Name)	2dBi 胶棒天线	产品型号(Model Type)	JHT-2.4G/1158
<b>电性能指标 (Electrical Specifications)</b>			
频率范围 (Frequency Range)	2400MHz—2500MHz	极化方式 (Polarization)	垂直 (Vertical)
输入阻抗(Impedance)	50 Ω	辐射方向	全向 (Omni-directional)
驻波比 (VSWR)	≤2.0	功率容量(Power)	50W
增益(Gain)	1.5dBi	带宽 (Bandwidth)	
<b>机械指标 (Mechanical Specifications)</b>			
尺寸 (Dimensions)	85±2mm	外壳颜色(Radome Color)	黑色
连接器型号 (Connector)	SMA(J)	引线长度(Cable Length)	\
外壳材料 Radome Material	ABS (TPEE)		
工作温度 (Working Temperature)	-40°C-+85°C	存放温度 (Limit Temperature)	-40°C-+85°C

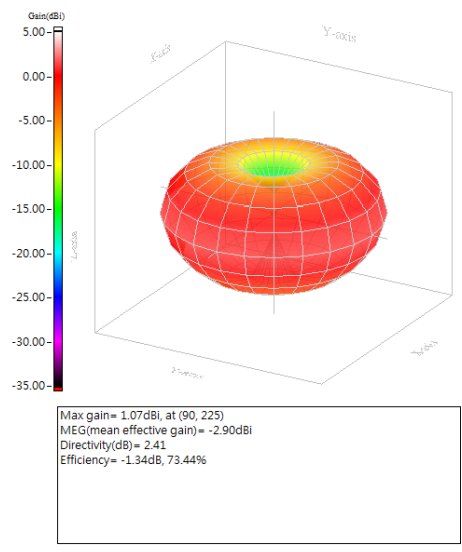
# Antenna data

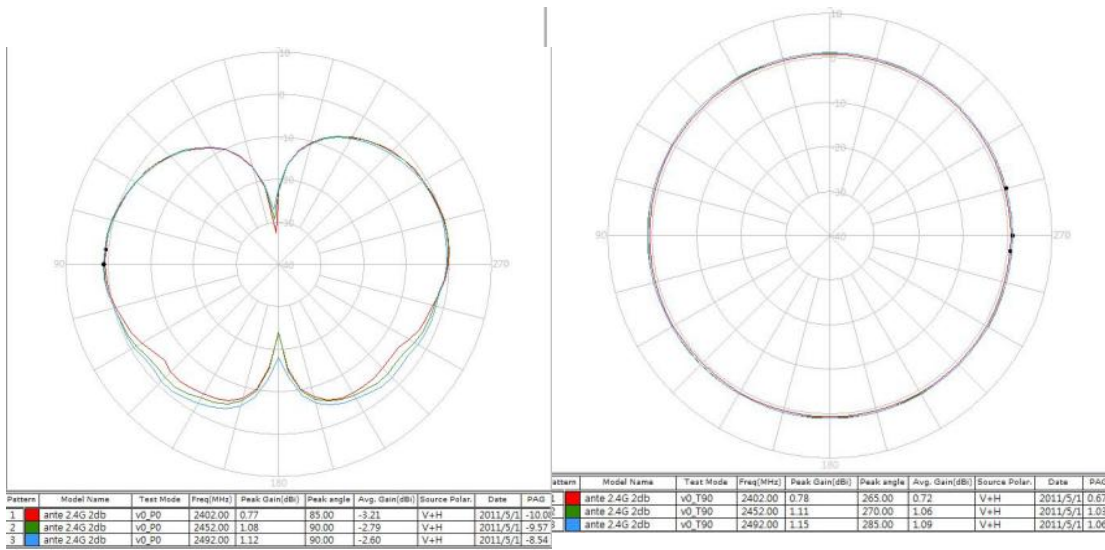




### Antenna orientation diagram

Model name: ante2.4G  
 Test mode: V0  
 Test frequency / Polarization: 2450.00 MHz / Vector sum  
 Test date: 2011/5/17





Manufacturer: Shenzhen Guandetong Electronic Limited  
 Address: 3/F, Building D, Maoyuan Industrial Park, Huan Guan Nan Road, Guanghu Street, Longhua District, Shenzhen