

# INSTALLATION INSTRUCTIONS

LJD008SMXX-4PK

Thank you for purchasing Cloudy Bay Smart LED Lighting Fixtures.



## 8 INCH SMART LED RECESSED DOWN LIGHT



**GENERAL:** All electrical connections must be in accordance with local and National Electrical Code (N.E.C.) standards. If you are unfamiliar with proper electrical wiring connections, contact and obtain the services of a qualified electrician. Use UL or IEC approved wire only for input/output connections.

Remove fixture and mounting components from the box, and make sure that no parts are missing, by referencing the illustration in the illustration instructions.

This retrofit assembly is accepted as a component of a led luminaire where the suitability of the combination shall be determined by csa or canadian authorities having jurisdiction. This device is not intended for use with emergency exits.

Turn power off before installation, inspection, or removal. Use all necessary precautions while performing this procedure.

Properly ground electrical enclosure. IT IS IMPERATIVE THAT THE OUTLET BOX BE PROPERLY GROUNDED.

DO NOT REVERSE THE HOT AND NEUTRAL CONNECTIONS, OTHERWISE SAFETY WILL BE COMPROMISED.

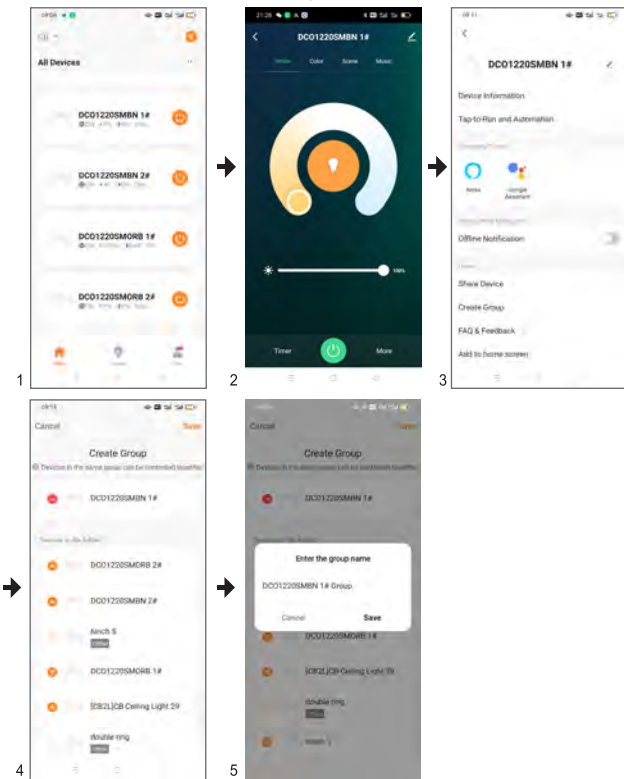
This Integrated LED Fixture has no lamp/bulb to replace.

Contact us through [smart@cloudybaylighting.com](mailto:smart@cloudybaylighting.com) for after service

**WARNING - RISK OF ELECTRIC SHOCK. DISCONNECT MAIN POWER AT FUSE OR CIRCUIT BREAKER BEFORE INSTALLING OR SERVICING THE FIXTURE.**



Procedure to create a group: go to APP home page; b. click one product that you like to add to a group; c. click edit icon on control panel's top right corner; d. select Create Group; e. click Add icon before product name; f. name the group and save it.



### 3-Year Limited Warranty

**LIMITED WARRANTY:** This fixture is warranted to be free from defects in workmanship and material for up to 3-years. Based upon reasonable household usage, when used in accordance with package and included instructions. If this fixture does not last for the time period guaranteed, manufacture will send you a replacement fixture upon receipt of the returned fixture, register receipt, and proof of purchase. To contact us, please email us at [smart@cloudybaylighting.com](mailto:smart@cloudybaylighting.com) to find out how to return the fixture. We are committed to making high quality products. Returning the fixture will help us monitor and further improve product quality. This replacement is the sole remedy available, and LIABILITY FOR INCIDENTAL OR CONSEQUENTIAL DAMAGES IS HEREBY EXPRESSLY EXCLUDED

**PLEASE READ CAREFULLY BEFORE INSTALLING FIXTURE**  
Save these instructions, as you may need them at a later date.

### WARNING- RISK OF FIRE OR ELECTRIC SHOCK

LED Ultra Slim Panel kit installation requires knowledge of luminaires electrical systems. If not qualified, do not attempt installation. Contact a qualified electrician. Install this kit only in luminaires that have the construction features and dimensions shown in the photographs and/or drawings and where the input rating of the panel kit does not exceed the input rating of the luminaire.

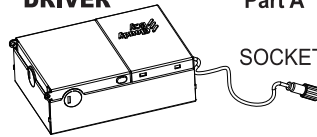
Do not make or alter any open holes in an enclosure of wiring or electrical components during kit installation.

To prevent wiring damage or abrasion, do not expose wiring to edges of sheet metal or other sharp objects.

The inside of the ceiling must be waterproof.

#### Component list:

##### DRIVER



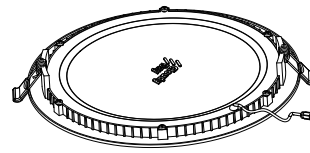
##### Part A

##### SOCKET ADAPTER

##### Part C



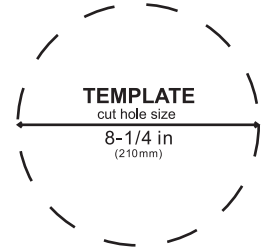
##### ASSEMBLY



##### PANEL KIT

##### Part B

##### Part D



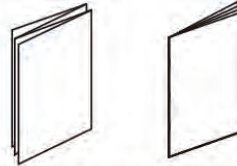
##### TEMPLATE

cut hole size

8-1/4 in

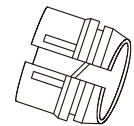
(210mm)

##### Part E



##### User Manual and Voice Guideline

##### Part F



##### Wire Clamp

Note: This product is a smart light, using Direct Digital Controls rather than triac dimming. Here is two dimming way for you reference:

1. Download Cloudy Bay's APP, go to product group or single product page, adjust the brightness and CCT of white light or color light on control panel; you can also go to home page, click product group or single product's common function, adjust brightness and color temperature
2. Control with smart voice device such as Google Assistant or Amazon Alexa if you have installed it successfully.

⚠️ If you only have a dimmer at hand, set it to highest level only. If light performance is not good, we strongly advise you to change it to a regular switch.

This device complies with part 15 of the FCC Rules. Operation is subject to the following two conditions:

This device may not cause harmful interference, and

This device must accept any interference received, including interference that may cause undesired operation.

NOTE: This equipment has been tested and pursuant to Part 15 of the FCC Rules. These limits are designed to provide reasonable protection against harmful interference in a residential installation. This equipment generates, uses and can radiate radio frequency energy and, if not installed and used in accordance with the instructions, may cause harmful interference to radio communications. However, there is no guarantee that interference will not occur in a particular installation. If this equipment does cause harmful interference to radio or television reception, which can be determined by turning the equipment off and on, the user is encouraged to try to correct the interference by one or more of the following measures:

Reorient or relocate the receiver antenna.

Increase the separation between the equipment and receiver.

Install the product onto on a circuit different from that to which the receiver is connected.

Consult with the dealer or an experienced radio/TV technician for help.

CAUTION: Any changes made to the electronics circuit will void this equipment's compliance with Part 15 of the FCC Rules and should not be operated.



# INSTALLATION INSTRUCTIONS

PLEASE READ CAREFULLY BEFORE INSTALLING FIXTURE  
Save these instructions, as you may need them at a later date.

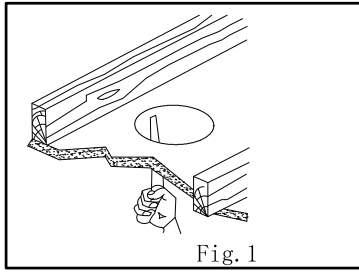


Fig. 1

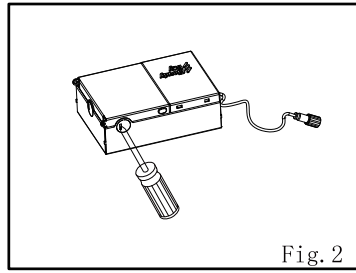
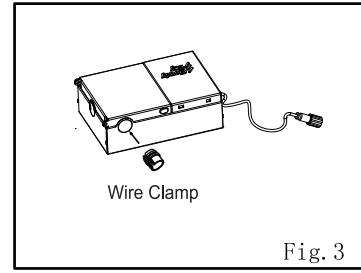


Fig. 2



Wire Clamp

Fig. 3

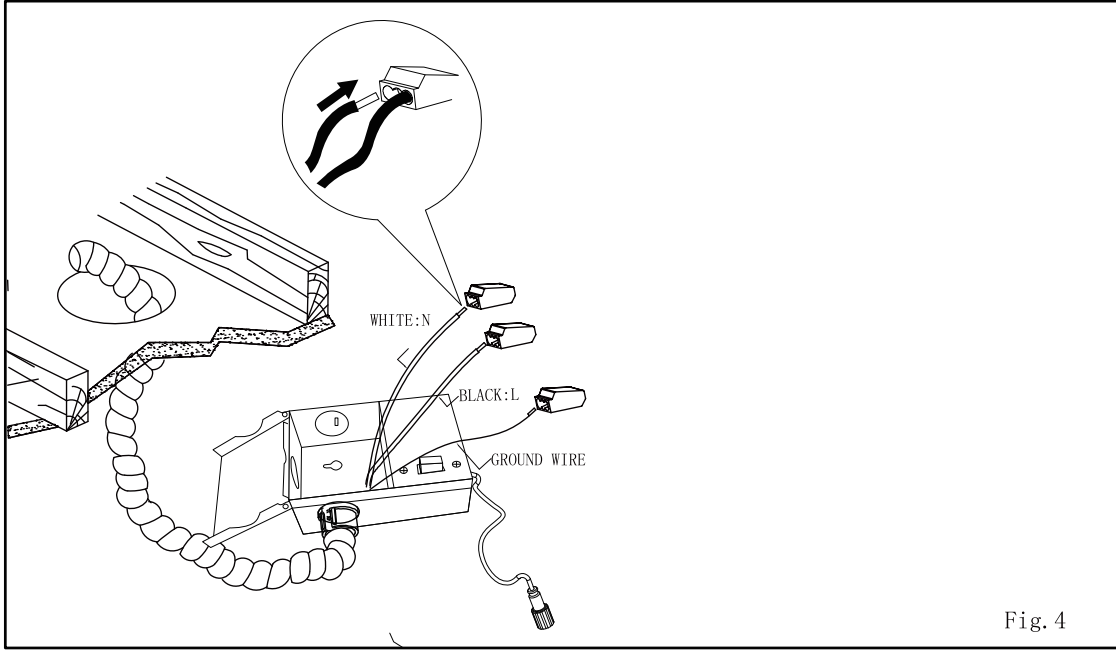


Fig. 4

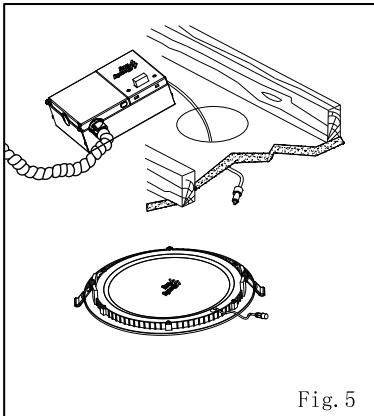


Fig. 5

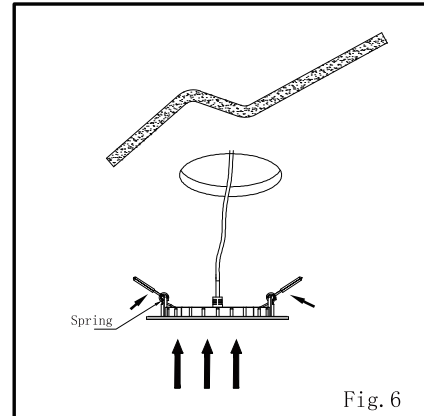


Fig. 6

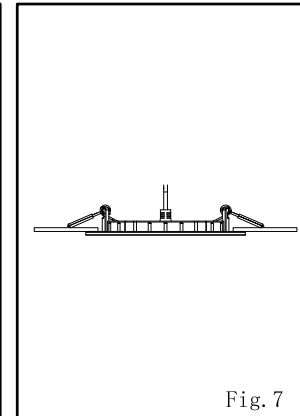


Fig. 7

↓ Please follow these steps for installation. ↓

1. Cut a round hole in  $\varnothing 8-1/4$ inch with a template in package. (Fig.1)
2. Insert flat screwdriver's blade into knock out hole, swing left and right until the metal plate fall down. (Fig.2)
3. Put wire clamp into knock out hole. (Fig.3)
4. Open connection box by pulling up the cover (Fig.4)
5. Insert the white supply wire (neutral) into quick wire connector with the preassembled white fixture wire. Insert the black supply wire (hot) into quick wire connector with the preassembled black fixture wire. Insert supply ground wire into quick wire connector with the preassembled ground wire. Make sure all connections are secure tuck all wires into the junction box. Put on the cover of junction box(Fig.4)
6. Connect the low voltage cable to the light kit - the arrows on the male and female parts of the connector between the driver and the fixture should match. (Fig.5)
7. Squeeze both TORSION SPRINGS arms together and insert into the above ceiling. (Fig.6)
8. Installation is completed. (Fig.7)
9. Set up products according to user manual and voice guideline

## RF Exposure Information

This equipment complies with FCC radiation exposure limits set forth for an uncontrolled environment. This equipment should be installed and operated with minimum distance 20cm between the radiator and your body.