

# INSTALLATION INSTRUCTIONS

LJD006GBLWH-XX

PLEASE READ CAREFULLY BEFORE INSTALLING FIXTURE  
Save these instructions, as you may need them at a later date.

Thank you for purchasing CloudyBay Smart LED Lighting Fixtures.



## BLUETOOTH SMART LED RECESSED GIMBAL DOWN LIGHT



**GENERAL:** All electrical connections must be in accordance with local and National Electrical Code (N.E.C.) standards. If you are unfamiliar with proper electrical wiring connections, contact and obtain the services of a qualified electrician. Use UL or IEC approved wire only for input/output connections.

Remove fixture and mounting components from the box, and make sure that no parts are missing, by referencing the illustration in the illustration instructions.

Turn power off before installation, inspection, or removal.  
Use all necessary precautions while performing this procedure.

Consult a qualified electrician to ensure correct branch circuit conductor. Min 90°C supply conductors.

Properly ground electrical enclosure. IT IS IMPERATIVE THAT THE OUTLET BOX BE PROPERLY GROUNDED.

DO NOT REVERSE THE HOT AND NEUTRAL CONNECTIONS, OTHERWISE SAFETY WILL BE COMPROMISED.

Contact us through [smart@cloudybaylighting.com](mailto:smart@cloudybaylighting.com)



### TROUBLESHOOTING

- Check that line voltage at is correct.
- If there is no voltage, then check all connections.
- Check that junction box is grounded properly.
- If light kit does not light:  
Check the wire connection between junction box and light kit is correct



### PRODUCT CARE After Sales Service

1. Please discontinue to use product right away if product shows any visible defect and contact customer service.
2. If there is any problem with our lights for non-human reasons, please contact customer service, we will send you brand new replacement without need to returning goods or full refund.
3. If you are not completely satisfied with product after installation but prefer not to disassemble, contact with us right away, we will provide comparable compensations.

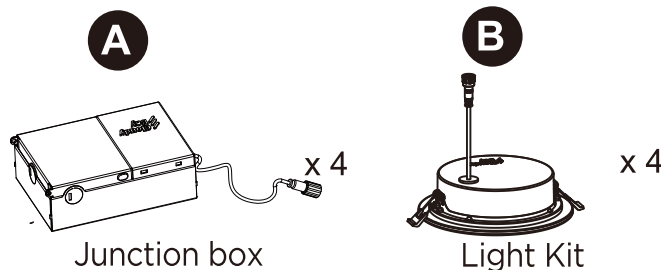
### About Manual Control Through ON/OFF Wall Switch:

1. Please make sure duration of each turn on is more than 10 seconds so that it won't enter pairing and start blinking by mistake.
2. If light blinks due to wrong operation, please let it blink for 10 seconds and turn off wall switch, then turn back on, so it will recover to paired status.

## 3-Year Limited Warranty

**LIMITED WARRANTY:** This fixture is warranted to be free from defects in workmanship and material for up to 3-years. Based upon reasonable household usage, when used in accordance with package and included instructions. If this fixture does not last for the time period guaranteed, manufacture will send you a replacement fixture upon receipt of the returned fixture, register receipt, and proof of purchase. To contact us, please email us at [smart@cloudybaylighting.com](mailto:smart@cloudybaylighting.com) to find out how to return the fixture. We are committed to making high quality products. Returning the fixture will help us monitor and further improve product quality. This replacement is the sole remedy available, and LIABILITY FOR INCIDENTAL OR CONSEQUENTIAL DAMAGES IS HEREBY EXPRESSLY EXCLUDED.

## PACKAGE CONTENTS

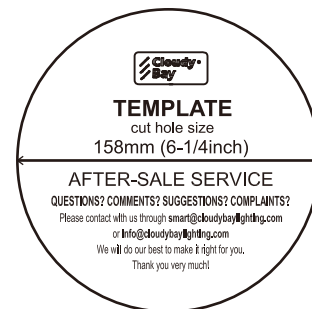


**A**

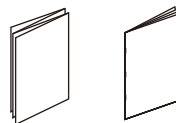


Quick connectors

**D**



**E**



User manual  
Voice control guide

### FCC Statement

This equipment has been tested and found to comply with the limits for a Class B digital device, pursuant to part 15 of the FCC Rules. These limits are designed to provide reasonable protection against harmful interference in a residential installation. This equipment generates, uses and can radiate radio frequency energy and, if not installed and used in accordance with the instructions, may cause harmful interference to radio communications. However, there is no guarantee that interference will not occur in a particular installation. If this equipment does cause harmful interference to radio or television reception, which can be determined by turning the equipment off and on, the user is encouraged to try to correct the interference by one or more of the following measures:

- Reorient or relocate the receiving antenna.
- Increase the separation between the equipment and receiver.
- Connect the equipment into an outlet on a circuit different from that to which the receiver is connected.
- Consult the dealer or an experienced radio/TV technician for help.

Caution: Any changes or modifications to this device not explicitly approved by manufacturer could void your authority to operate this equipment.

This device complies with part 15 of the FCC Rules. Operation is subject to the following two conditions: (1) This device may not cause harmful interference, and (2) this device must accept any interference received, including interference that may cause undesired operation.

### RF Exposure Information

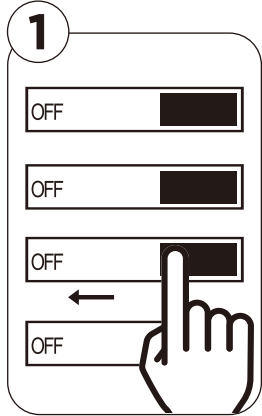
This equipment complies with FCC radiation exposure limits set forth for an uncontrolled environment. This equipment should be installed and operated with minimum distance 20cm between the radiator and your body.



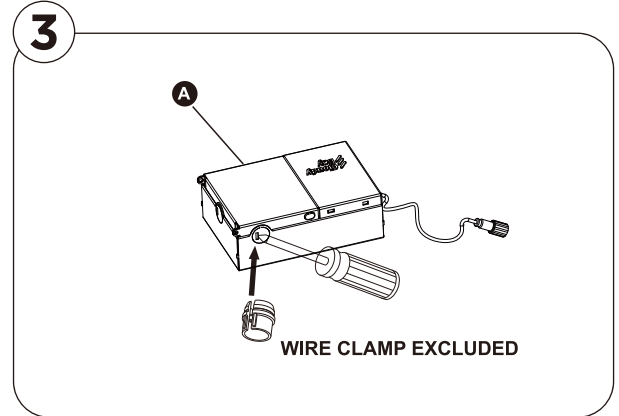
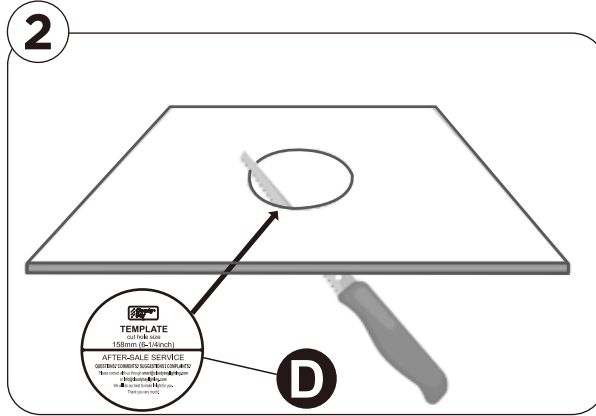
# INSTALLATION INSTRUCTIONS

PLEASE READ CAREFULLY BEFORE INSTALLING FIXTURE  
Save these instructions, as you may need them at a later date.

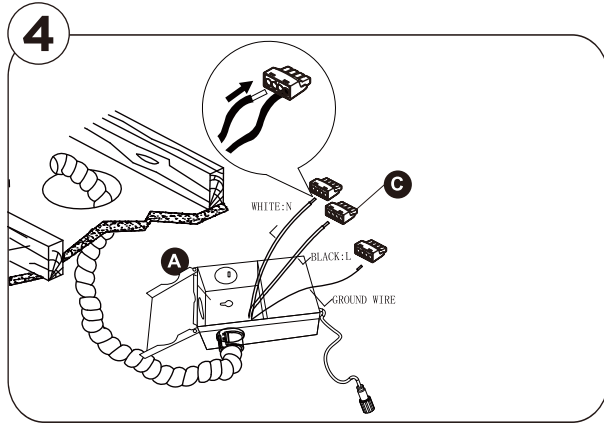
## INSTALLATION OVERVIEW



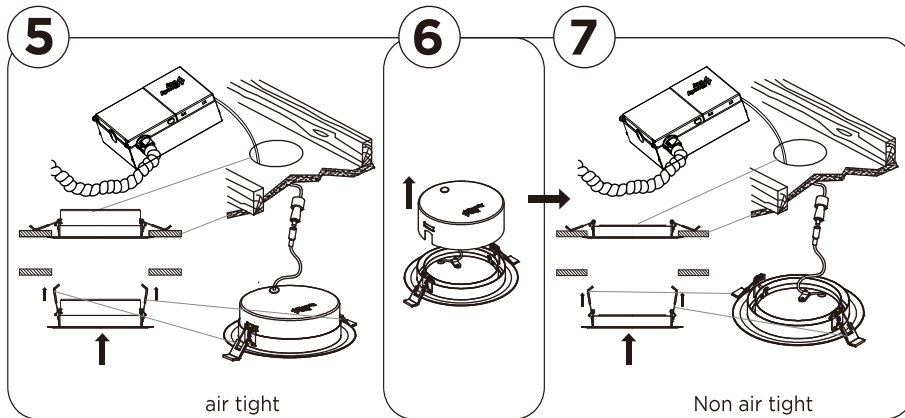
Turn off power at the source. Make a hole in the ceiling with template in package



Carefully remove the knock-out with a screw driver or punch.



Open the connectors box cover. Feed supply wire into knockout hole using connector and make all connections inside the junction box using the EZ connectors (see picture below). Connect the 120V line wire to the black wire. Connect the neutral wire to the white wire. Connect bare copper wire to grounding terminal of the outlet box. Put on junction box cover.



5. Use it as an air tight recessed down light, MIN height above ceiling is 2inch  
Put on Connector and female connector, raise springs to vertical position and push the light kit into the hole until it stays flat in the ceiling. Push the light kit on one side to change angle and illuminate the target area.

6. Hold the trim and pull the round cover upwards until it separates from light kit, move the cable away from rubber ring, if necessary, cut a hole on rubber ring so that the cable can go out.

7. Use it as Non air tight recessed down light, above ceiling height can range from 1-3/8inch to 2inch.

8. See user manual to set up those lights

Note: This product is a smart light, using Direct Digital Controls rather than triac dimming. Here is two dimming way for you reference:

1. Download Cloudy Bay's APP, go to product group or single product page, adjust the brightness and CCT of white light or color light on control panel; you can also go to home page, click product group or single product's common function, adjust brightness and color temperature
2. Control with smart voice device such as Google Assistant or Amazon Alexa if you have installed it successfully.

## QUESTIONS? COMMENTS? SUGGESTIONS? COMPLAINTS?

Please contact with us through  
**Toll-Free Phone Number: (1) 877-870-5171**  
**smart@cloudybaylighting.com**  
or **info@cloudybaylighting.com**

We will do our best to make it right for you. Thank you very much!