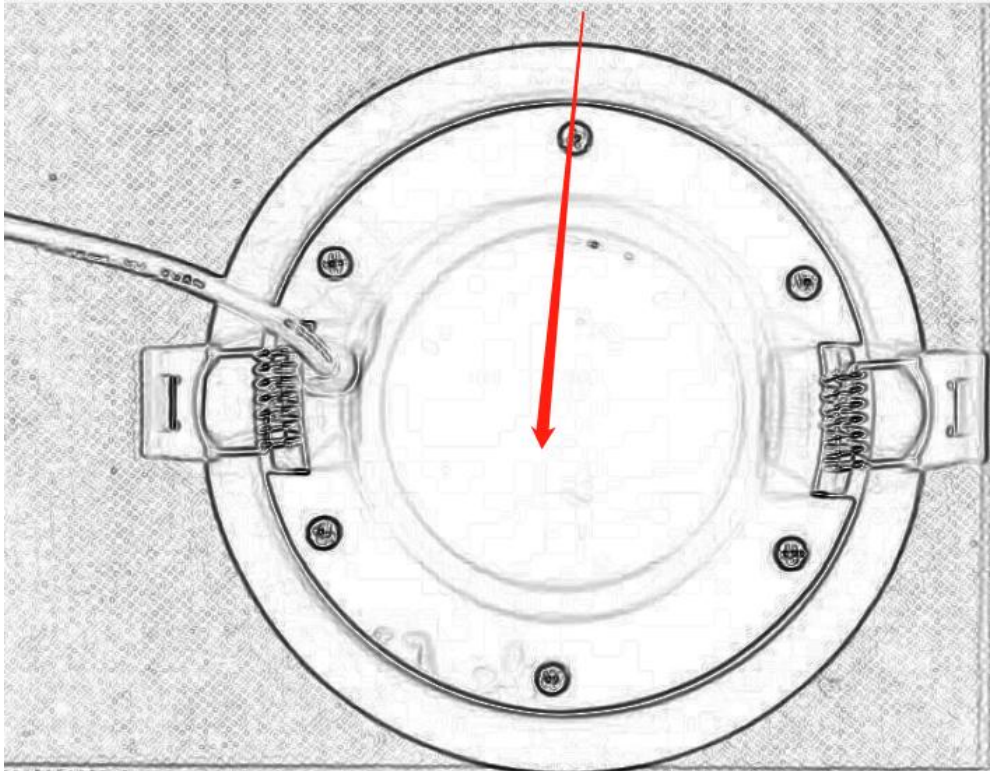


Regulatory Label and Location

4 inch BLE Recessed Down Light
Model:LJD004BLWH
FCC ID: 2A4FVLJD004BLWH
ACCESS ABOVE CEILING REQUIRED

This device complies with Part 15 of the FCC Rules.
Operation is subject to the following two conditions:
(1) This device may not cause harmful interference,
and (2) this device must accept any interference
received, including interference that may cause
undesired operation.



Regulatory Label and Location

6 inch BLE Recessed Down Light
Model:LJD006BLWH
FCC ID: 2A4FVLJD004BLWH
ACCESS ABOVE CEILING REQUIRED

This device complies with Part 15 of the FCC Rules.
Operation is subject to the following two conditions:
(1) This device may not cause harmful interference,
and (2) this device must accept any interference
received, including interference that may cause
undesired operation.

