

INSTALLATION INSTRUCTIONS

LCSL430SMXX

Thank you for purchasing CloudyBay Smart LED Lighting Fixtures.



4 HEAD WIFI/BLE CEILING TRACK LIGHT



GENERAL: All electrical connections must be in accordance with local and National Electrical Code (N.E.C.) standards. If you are unfamiliar with proper electrical wiring connections, contact and obtain the services of a qualified electrician. Use UL or IEC approved wire only for input/output connections.

Remove fixture and mounting components from the box, and make sure that no parts are missing, by referencing the illustration in the illustration instructions.

Turn power off before installation, inspection, or removal. Use all necessary precautions while performing this procedure.

Consult a qualified electrician to ensure correct branch circuit conductor. Min 90°C supply conductors.

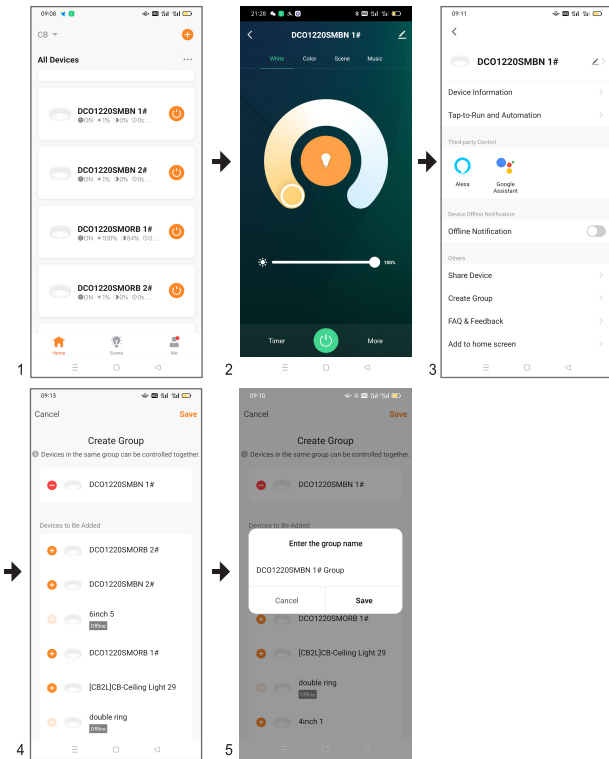
Properly ground electrical enclosure. IT IS IMPERATIVE THAT THE OUTLET BOX BE PROPERLY GROUNDED.

DO NOT REVERSE THE HOT AND NEUTRAL CONNECTIONS, OTHERWISE SAFETY WILL BE COMPROMISED.

This Integrated LED Fixture has no lamp/bulb to replace.



Procedure to create a group: go to APP home page; b. click one product that you like to add to a group; c. click edit icon on control panel's top right corner; d. select Create Group; e. click Add icon before product name; f. name the group and save it.

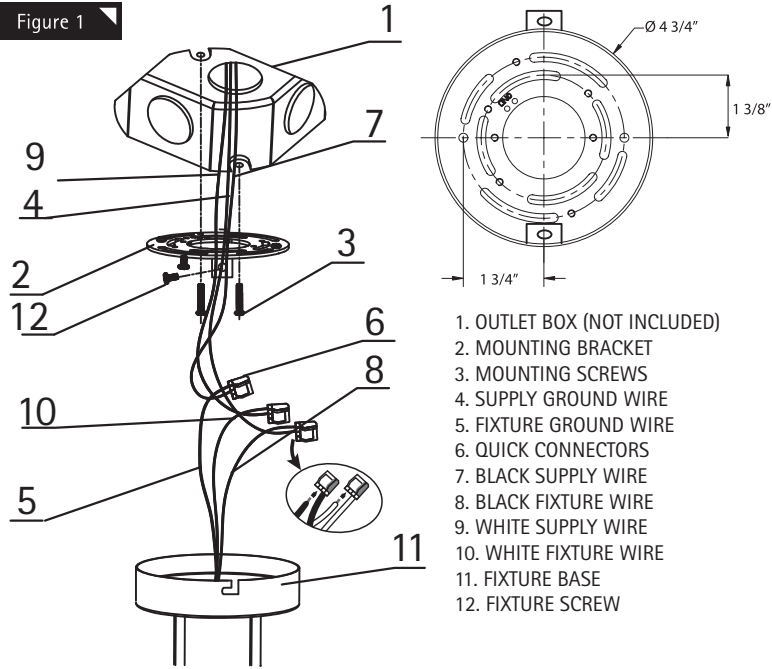


3-Year Limited Warranty

LIMITED WARRANTY: This fixture is warranted to be free from defects in workmanship and material for up to 3-years. Based upon reasonable household usage, when used in accordance with package and included instructions. If this fixture does not last for the time period guaranteed, manufacture will send you a replacement fixture upon receipt of the returned fixture, register receipt, and proof of purchase. To contact us, please email us at smart@cloudybaylighting.com to find out how to return the fixture. We are committed to making high quality products. Returning the fixture will help us monitor and further improve product quality. This replacement is the sole remedy available, and LIABILITY FOR INCIDENTAL OR CONSEQUENTIAL DAMAGES IS HEREBY EXPRESSLY EXCLUDED

PLEASE READ CAREFULLY BEFORE INSTALLING FIXTURE
Save these instructions, as you may need them at a later date.

Figure 1



1. OUTLET BOX (NOT INCLUDED)
2. MOUNTING BRACKET
3. MOUNTING SCREWS
4. SUPPLY GROUND WIRE
5. FIXTURE GROUND WIRE
6. QUICK CONNECTORS
7. BLACK SUPPLY WIRE
8. BLACK FIXTURE WIRE
9. WHITE SUPPLY WIRE
10. WHITE FIXTURE WIRE
11. FIXTURE BASE
12. FIXTURE SCREW

↓ Please follow these steps for installation. ↓

1. SHUT OFF MAIN ELECTRICAL SUPPLY FROM THE MAIN FUSE BOX/CIRCUIT BREAKER!
2. Remove contents from box. Ensure that no parts are missing. Reference the illustration included with this instruction manual.
3. Attach the MOUNTING SCREWS(3) to the MOUNTING BRACKET(2).
4. Locate BLACK AND WHITE SUPPLY WIRES(7&9) and the SUPPLY GROUND WIRE(4), and remove them from the OUTLET BOX(1).
5. Use MOUNTING SCREWS(3) to mount MOUNTING BRACKET(2) to the OUTLET BOX (1).
6. Make the following wire connections (Fig.1), using the provided QUICK CONNECTORS(8):
WHITE (-) SUPPLY WIRE (9) TO WHITE FIXTURE WIRE (10)
BLACK (+) SUPPLY WIRE (7) TO BLACK FIXTURE WIRE (8)
SUPPLY GROUND WIRE (4) TO FIXTURE GROUND WIRE (5)
If necessary, wrap all wire connections in electrical tape to ensure connection.
7. Raise FIXTURE BASE(11) and adjust its position until FIXTURE SCREW(12) locate in the edge of L hole, then use FIXTURE SCREW(12) to tighten FIXTURE BASE(11) and MOUNTING BRACKET(2) securely.
8. Restore power at fuse box/circuit breaker. Check operation of Integrated LED Fixture.
9. Installation complete. Refer to User Manual and Voice Guide to set up product.

FCC Statement

This equipment has been tested and found to comply with the limits for a Class B digital device, pursuant to part 15 of the FCC Rules. These limits are designed to provide reasonable protection against harmful interference in a residential installation. This equipment generates, uses and can radiate radio frequency energy and, if not installed and used in accordance with the instructions, may cause harmful interference to radio communications. However, there is no guarantee that interference will not occur in a particular installation. If this equipment does cause harmful interference to radio or television reception, which can be determined by turning the equipment off and on, the user is encouraged to try to correct the interference by one or more of the following measures:

- Reorient or relocate the receiving antenna.
- Increase the separation between the equipment and receiver.
- Connect the equipment into an outlet on a circuit different from that to which the receiver is connected.
- Consult the dealer or an experienced radio/TV technician for help.

Caution: Any changes or modifications to this device not explicitly approved by manufacturer could void your authority to operate this equipment.

This device complies with part 15 of the FCC Rules. Operation is subject to the following two conditions: (1) This device may not cause harmful interference, and (2) this device must accept any interference received, including interference that may cause undesired operation.

RF Exposure Information

This equipment complies with FCC radiation exposure limits set forth for an uncontrolled environment. This equipment should be installed and operated with minimum distance 20cm between the radiator and your body.

