

INSTALLATION INSTRUCTIONS

CBST03BLORB

PLEASE READ CAREFULLY BEFORE INSTALLING FIXTURE
Save these instructions, as you may need them at a later date.

Thank you for purchasing CloudyBay Smart LED Lighting Fixtures.



Indoor / Outdoor Step Light



GENERAL: All electrical connections must be in accordance with local and National Electrical Code (N.E.C.) standards. If you are unfamiliar with proper electrical wiring connections, contact and obtain the services of a qualified electrician. Use UL or IEC approved wire only for input/output connections.

Remove fixture and mounting components from the box, and make sure that no parts are missing, by referencing the illustration in the illustration instructions.

Need to work with bluetooth gateway, Model CBST03BLWHG-6PK, CBST03BLORBG-6PK include gateway

Turn power off before installation, inspection, or removal. Use all necessary precautions while performing this procedure.

Consult a qualified electrician to ensure correct branch circuit conductor. Min 90°C supply conductors.

Properly ground electrical enclosure. IT IS IMPERATIVE THAT THE OUTLET BOX BE PROPERLY GROUNDED.

DO NOT REVERSE THE HOT AND NEUTRAL CONNECTIONS, OTHERWISE SAFETY WILL BE COMPROMISED.

This Integrated LED Fixture has no lamp/bulb to replace.



DON'T SUBMERGE THE LIGHT BODY INTO WATER INSTALL IT IN AREA WITH HIGH SALTY MOISTURE OR CORROSIVE ENVIROMENT WILL LEAD TO FAST CORROSION SINCE IT IS NOT DESIGN FOR THIS PURPOSE

TROUBLESHOOTING

- Check that line voltage at fixture is correct.
- Ensure that there is voltage at lamp fixture wires. If there is no voltage, then check all connections.
- Check that fixture is grounded properly.



If fixture does not light:

- Check switch to ensure that there are no defects.
- Check fuse/circuit breaker for trips, then check wiring connections.

CLEANING AND MAINTENANCE:

CAUTION: Ensure fixture temperature is cool enough to touch. DO NOT clean or perform maintenance while fixture is energized.

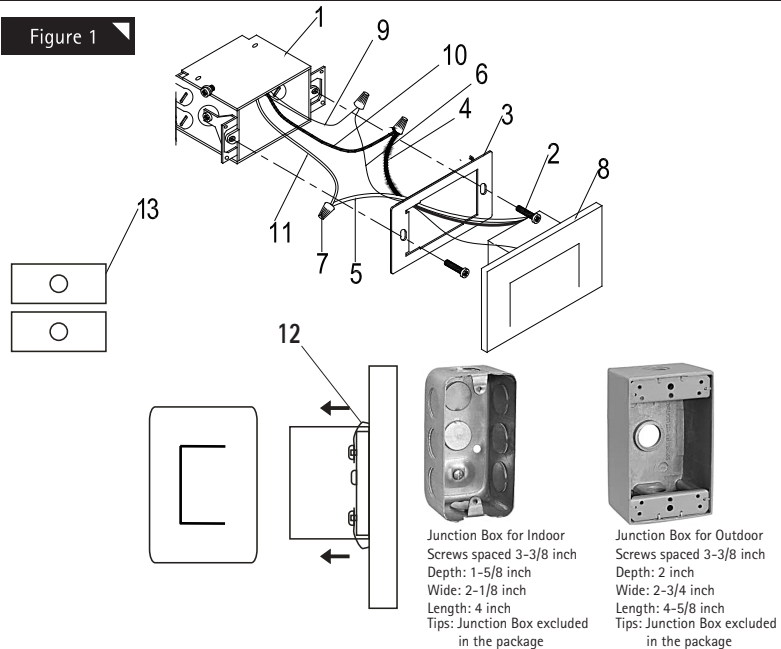


- Clean lens and fixture with non-abrasive cleaning solution.
- Do not open fixture to clean LED. Do not touch the LED.
- Do not spray liquid directly on to LED, LED driver or wiring.

3-Year Limited Warranty

LIMITED WARRANTY: This fixture is warranted to be free from defects in workmanship and material for up to 3-years. Based upon reasonable household usage, when used in accordance with package and included instructions. If this fixture does not last for the time period guaranteed, manufacture will send you a replacement fixture upon receipt of the returned fixture, register receipt, and proof of purchase. To contact us, please email us at smart@cloudybaylighting.com to find out how to return the fixture. We are committed to making high quality products. Returning the fixture will help us monitor and further improve product quality. This replacement is the sole remedy available, and LIABILITY FOR INCIDENTAL OR CONSEQUENTIAL DAMAGES IS HEREBY EXPRESSLY EXCLUDED.

Figure 1



1. OUTLET BOX (EXCLUDED)
2. FIXTURE SCREWS *
3. MOUNTING BRACKET
4. BLACK FIXTURE WIRE
5. WHITE FIXTURE WIRE
6. FIXTURE GROUND WIRE
7. WIRE NUTS
8. LIGHT BODY INTERGRATED WITH FACE COVER
9. HOUSE GROUND WIRE
10. LIVE WIRE
11. NEUTRAL WIRE
12. SPRING CLIP
13. WASHER

* (2PCS 6x25 and 2PCS 6x16 SCREW INCLUDED)

+ Please add washers between MOUNTING BRACKET and this type Junction Box so that light body can be inserted into mounting bracket

↓ Please follow these steps for installation. ↓

1. Fix the Mounting Bracket(3) to the OUTLET BOX(1) with attached FIXTURE SCREW(2)
 2. Pull the supply wires out from the OUTLET BOX(1), Identify the live wire, neutral wire and ground wire (if you have problem to figure it out, please consult a qualified electrician before you do wiring), then Connect the LIVE WIRE (10) with BLACK WIRE(4), NEUTRAL WIRE (11) with WHITE WIRE(5), and GROUND WIRE(9) with GROUND WIRE(6) with the WIRE NUTS (7) attached, Please make sure that all the wires are firm connection, then seal wire nuts with with silicone to ensure a stable performance in long term.
 3. Check the MOUNTING BRACKET(3) is fixed flat on OUTLET BOX(1)'s surface, press the SPRING CLIP(12) evenly into the MOUNTING BRACKET(3) until all clips have a good connection with MOUNTING BRACKET(3)'s edge.
 4. Installation Complete
- For Outdoor application: caulk the connection area between face cover and wall with outdoor rated sealant for stable performance.

⚠ If you only have a dimmer at hand, set it to highest level only. If light performance is not good, we strongly advise you to change it to a regular switch.

FCC Statement

This equipment has been tested and found to comply with the limits for a Class B digital device, pursuant to part 15 of the FCC Rules. These limits are designed to provide reasonable protection against harmful interference in a residential installation. This equipment generates, uses and can radiate radio frequency energy and, if not installed and used in accordance with the instructions, may cause harmful interference to radio communications. However, there is no guarantee that interference will not occur in a particular installation. If this equipment does cause harmful interference to radio or television reception, which can be determined by turning the equipment off and on, the user is encouraged to try to correct the interference by one or more of the following measures:

- Reorient or relocate the receiving antenna.
- Increase the separation between the equipment and receiver.
- Connect the equipment into an outlet on a circuit different from that to which the receiver is connected.
- Consult the dealer or an experienced radio/TV technician for help.

Caution: Any changes or modifications to this device not explicitly approved by manufacturer could void your authority to operate this equipment.

This device complies with part 15 of the FCC Rules. Operation is subject to the following two conditions: (1) This device may not cause harmful interference, and (2) this device must accept any interference received, including interference that may cause undesired operation.

RF Exposure Information

This equipment complies with FCC radiation exposure limits set forth for an uncontrolled environment. This equipment should be installed and operated with minimum distance 20cm between the radiator and your body.

