

猛犸I代中英文说明书

尺寸: 105*70 (MM)

80克书纸



MODEL: Men mart I

无线蓝牙音响
Multimedia Bluetooth Speaker

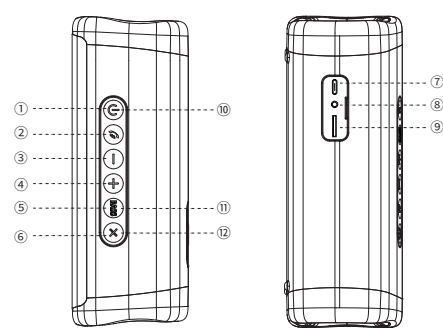
用户说明书 | USER MANUAL

前言

尊敬的客户: 使用产品前请仔细阅读本说明书, 并妥善保管。

包装内容

- 1* 猛犸I代主机音响
- 1* Type-C充电线
- 1* 3.5毫米AUX外接音频线
- 1* 用户说明书



按键功能详解

① 电源键: 长按 开/关机 短按 播放/暂停	⑤ BASS键: 长按 打开/关闭灯光 短按 打开/关闭BASS音效
② 蓝牙/电话键: 长按 强制断开蓝牙连接 短按 切换播放模式 接听/挂断电话	⑥ TWS配对键: 短按 开启/关闭 TWS互联 长按清除配对
③ 减号键: 短按 音量减 长按 上一曲/持续减音量	⑦ Type-C接口
④ 加号键: 短按 音量加 长按 下一曲/持续加音量	⑧ AUX接口
	⑨ TF卡插槽
	⑩ 工作灯/蓝牙指示灯
	⑪ BASS音效指示灯
	⑫ TWS指示灯

操作说明

(1) 蓝牙模式

1. 开机后, 进入蓝牙模式, 蓝牙灯闪烁, 打开您的蓝牙, 设备搜索到“Men mart I”选择连接, 连接成功后电子提示音响起, 蓝牙灯常亮, 即可播放音乐。
2. 蓝牙连接成功后使用手机拨打电话, 音响进入蓝牙免提通话。来电短按“☎”接听, 长按拒接。

(2) AUX音频输入模式

请将3.5mm音频线连接到手机/电脑的耳机输出口, 短按“☎”键切换到AUX模式, 音响电子提示音“嘟”一声后即可播放音乐。

※因多电脑的USB接口供电能力不能满足音响工作要求, 建议使用AUX连接电脑播放音乐时, 不要使用电脑USB口给音响同步充电。

(3) TF卡模式

请将TF卡插入音响, 音响会自动切换至TF卡模式并语音提示“叮叮”两声后自动播放卡内音乐, 内存最大支持 32G TF卡。(此功能仅适用于部分机型, 详情请咨询当地经销商。)

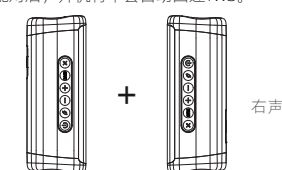
操作说明

(4) TWS无线立体声播放

将两台“Men mart I”开机, 进入蓝牙模式后, 短按其中一台“☎”键TWS灯闪烁, 自动搜索另一台音响进行组队, 组队成功, 两台音响转换成左右声道。重复蓝牙连接操作将音响连接手机, 播放手机音乐即可实现无线立体声音效。

注: 此功能需要两台音响, 并都开机在蓝牙模式才能使用。在TWS配对前没有跟任何设备进蓝牙连接。在TWS互联状态, 短按其中一台音响“☎”键即可取消互联。

清除TWS配对后, 开机将不会自动回连TWS。



左声道(主机) + 右声道(副机)

(5) 炫酷派对灯光

长按“☺”键开启/关闭灯效。短按切换到BASS音效。

(6) Type-C快速充电

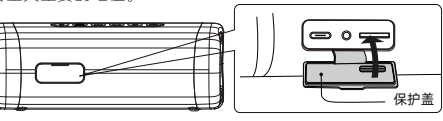
※请勿使用未通过正规认证的电源适配器。
※建议使用输出为5V-1.5A的电源适配器进行充电。

1. 音响电量不足时, 会播报两声电子提示音, 请尽快为音响充电。
2. 音响支持自适应充电, 根据外接电源适配器功率自动选择充电电流, 当使用电脑USB接口为本音响充电, 充电电流小, 充电时间会比较长。
3. 充电时灯光呈呼吸状态, 充满电时白灯常亮。

操作说明

温馨提示:

1. 本产品是基于生活防水, 可以正常冲洗切勿将音响长期浸泡水中。(如因进水导致音响功能故障, 我司留有最终解释权)
2. 请小心处理保护盖。保护盖对保持防水和防尘性能起着至关重要的地位。



节能环保:

在下列情况下音响将自动关机节省电量。

1. 蓝牙模式下, 等待配对持续二十分钟无设备连接蓝牙。
2. 除蓝牙模式, 短按“☎”暂停二十分钟后无操作将自动关机, 再次开机请长按电源键。

技术参数

输入电压	5V/1.5A
蓝牙版本	5.0
喇叭频率	50HZ~20KHZ
功率	20W
产品重量	520g
电池容量	4000mA
产品尺寸	L:207*W:78*H:78 mm

操作说明

疑难解答

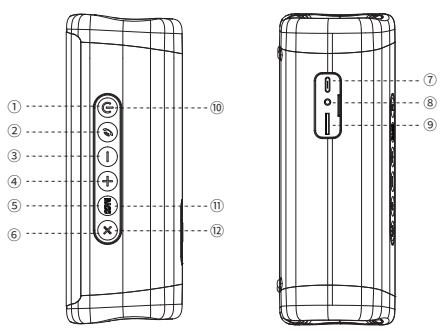
1. 蓝牙无法连接或播放音乐没有声音怎么办?
请先确认音响是否处于蓝牙模式, 再确认您的蓝牙设备是否支持蓝牙功能并将其打开, 检查音响是否处于蓝牙搜索状态, 如果周边蓝牙设备太多, 可能会造成搜索困难, 请关闭其他蓝牙设备。
2. TF卡播放没有反应怎么办?
请确认TF卡有无质量问题, 并检查卡中音频文件是否为MP3播放格式, 如果以上问题均排除, 则可能是TF卡兼容性问题的, 可将TF卡格式化为FAT32格式, 或者尝试更换其他TF卡。

PREFACE

Dear customers, please read this manual carefully before using the product and keep it properly.

PACKAGE CONTENT

- 1* Men mart I Main device
- 1* Type-C cable
- 1* 3.5mm Aux in cable
- 1* User Manual



KEY FUNCTION DEFINITION

① Power: Long press Turn on/off Short press Play/Pause	⑤ BASS: Long press turn on/off lights Short press to turn BASS sound on / off
② Bluetooth/Phone: Long press force to disconnect Bluetooth connection Short press switch Bluetooth/ Aux in mode	⑥ TWS pairing: Short press on/cancel TWS connection Long press to clear away TWS pairing
③ Answer/Hang off phone call	⑦ Type-C interface
④ Minus: Short press to decrease volume Long press to previous track	⑧ AUX interface
⑤ Plus: Short press to increase volume Long press to next track	⑨ TF card slot
	⑩ Work light / Bluetooth indicator
	⑪ bass sound light
	⑫ TWS light

OPERATION INSTRUCTION

(1) BLUETOOTH MODE

1. Turn on speaker enter into bluetooth mode, the bluetooth light starts to flash. Open the bluetooth on your device search for "Men mart I" and connect to your speaker. When the connection is successful, the electronic sound will be activated, The bluetooth light is always on, now you can play music on your device by bluetooth.
2. When the bluetooth is connected successfully and you make calls with phone, the voice will automatically enter into the bluetooth hands-free mode. Short press "☎" key to answer incoming call, Long press to reject call.

(2) AUX IN MODE

Please connect 3.5mm audio cable to the headphone of the phone/computer output interface, short press "☎" key switch to AUX in mode. After the sound electronic prompt sound "beep", the music can be played.

※ Due to the lower power supply capability, most computer's USB interface can not meet speaker's operational requirements. It is not recommended to use the computer's USB for charging synchronously when you play music in the AUX in mode while connecting computer.

(3) TF CARD PLAY

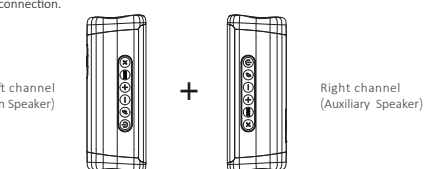
Please insert TF card in speaker. The audio will automatically switch to the TF card mode and voice prompt "Ding Ding" twice, and then automatically play the music in the card. TF card memory maximum is 32G.
(This mode is only apply to some models, please consult local dealer for details.)

OPERATION INSTRUCTION

(4) TWS STEREO SOUND PLAY

Turn on two Men mart I speakers enter into bluetooth mode. Short press "☎" button of one speaker. TWS light starts to flash, the speaker will automatically search the other for TWS connection. If they connected successfully, two speakers will switch into left and right channels automatically. Repeat the bluetooth connection operation and connect to phone. If they connected successfully, music will play on the speaker shows dual stereo sound effect.

Note:
This function requires two Men mart I speakers, make sure both are turned on and in the bluetooth mode.
No bluetooth connection to any other devices before TWS pairing.
When TWS is connected, short press "☎" key of one speaker to cancel the interconnection.



Left channel (Main Speaker) + Right channel (Auxiliary Speaker)

(5) COOL PARTY LIGHTS

Long press "☺" key to turn on/off lights. Short press to switch to BASS sound.

(6) TYPE-C QUICK CHARGE

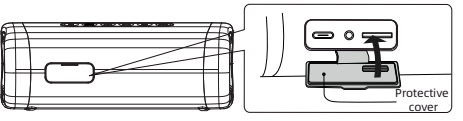
※ Do not use power adapter that has not been certified by safety certification. ※ Power adapter with output 5V-1.5A is recommended for charging.

1. When the audio power is low, two electronic prompts will be broadcast, please charge speaker as quickly as possible.
2. This speaker supports self-adaption charging. It's able to choose charging current automatically according to the external rated power of the adapter. When charging by USB interface on computer, the current is smaller and it takes longer time to complete charging.
3. The light is breathing when charging, and the white light is always on when fully charged.

Kindly tips:

OPERATION INSTRUCTION

1. This product is waterproof on daily basis conditions, and it can washes normally. Do not soak the product in water for a long time (if the product malfunction due to water ingress, our company reserves the right of final Explanation).
2. Handle the protective cover carefully. The protective cover plays an important role in keeping waterproof and dustproof performance. It is of great importance.



Energy saving:

The speaker will automatically shut down to save power under below circumstances.

1. In bluetooth mode, after 20 minutes waiting for no device pairing.
2. In addition to Bluetooth profile, short press "☎" key pause for 20 minutes without any operation the speaker will shut down automatically. Please long press the power key to turn it on again.

TECHNICAL PARAMETERS

input voltage	5V/1.5A
Bluetooth version	5.0
frequency response	50HZ~20KHZ
Rated power	20W
Product weight	520g
Battery capacity	4000mA
Product size	L:207*W:78*H:78 mm

OPERATION INSTRUCTION

TROUBLE SHOOTING

1. Can not connect to bluetooth or no sound when playing music?
Please make sure the speaker is in bluetooth mode, and also make sure your device supports bluetooth function and bluetooth has already been turned on searching for devices. Check if there are too many bluetooth devices around, which might bring difficulties of the searching process. Please turn off other bluetooth device.
2. What if TF card doesn't respond?
Please make sure TF card is in good quality, and check whether the audio file is MP3 playing format. If all problems above are excluded, it might be TF card compatibility issue, you can consider of formatting TF card to FAT32 or change a different TF card.

V.2.0.3

WWW.WISEPNT.COM
全国服务热线: 400-018-9358
制造商: 深圳市智慧科技有限公司
地址: 中国广东省深圳市龙岗区六约社区勤富路38号
保成泰智汇广场B902
National Service Tel: 400-018-9358
Manufacture: Shen zhen ZhiQi Technology Co., Ltd.
Address: B902 Baochengtai Square, No.38 QinFu road, Liuyue
Community, Henggang Street, Longgang District, Shenzhen, China
Made in China



This device complies with part 15 of the FCC Rules. Operation is subject to the following two conditions: (1) This device may not cause harmful interference, and (2) this device must accept any interference received, including interference that may cause undesired operation.

Any Changes or modifications not expressly approved by the party responsible for compliance could void the user's authority to operate the equipment.

Note: This equipment has been tested and found to comply with the limits for a Class B digital device, pursuant to part 15 of the FCC Rules. These limits are designed to provide reasonable protection against harmful interference in a residential installation. This equipment generates uses and can radiate radio frequency energy and, if not installed and used in accordance with the instructions, may cause harmful interference to radio communications. However, there is no guarantee that interference will not occur in a particular installation. If this equipment does cause harmful interference to radio or television reception, which can be determined by turning the equipment off and on, the user is encouraged to try to correct the interference by one or more of the following measures:

- Reorient or relocate the receiving antenna.
- Increase the separation between the equipment and receiver.
- Connect the equipment into an outlet on a circuit different from that to which the receiver is connected.
- Consult the dealer or an experienced radio/TV technician for help.