



# 蓝牙天线规格

---

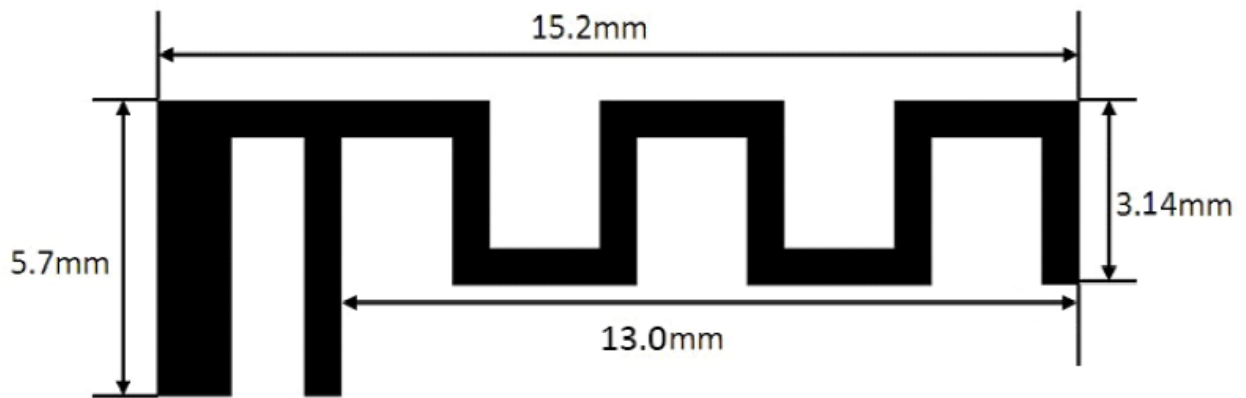
深圳市芯海科技有限公司

版权所有 不得复制

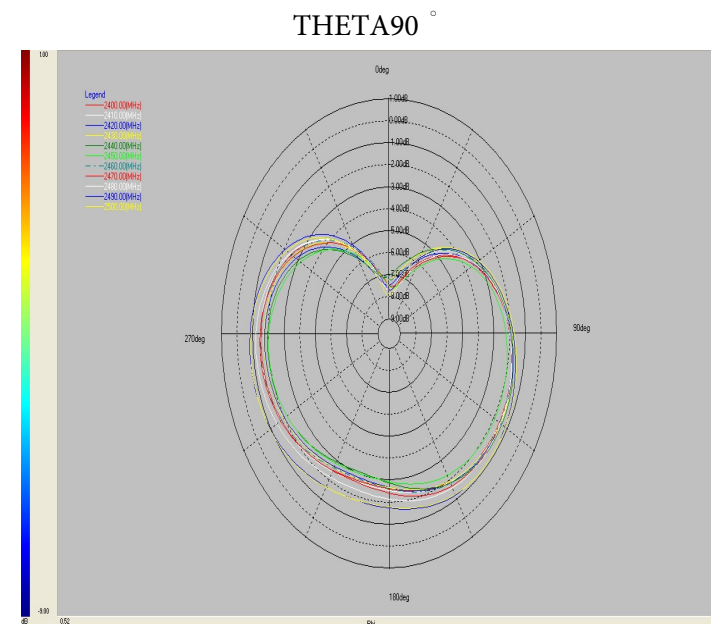
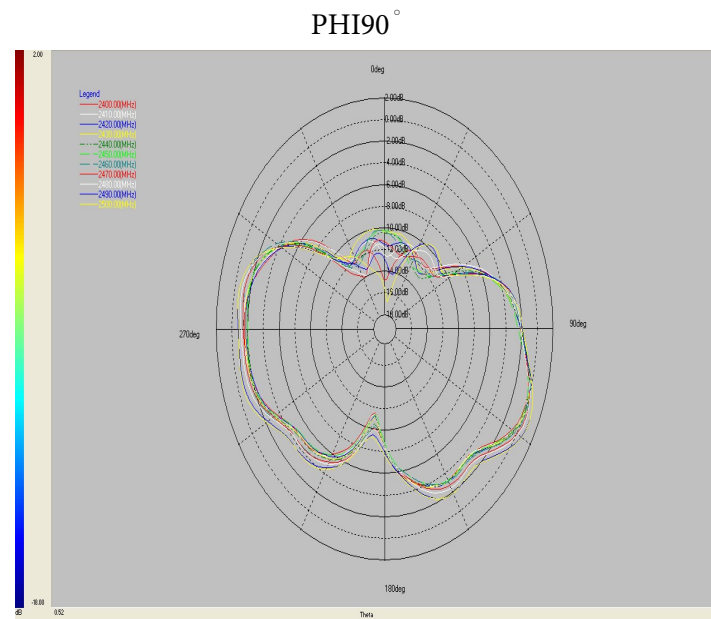
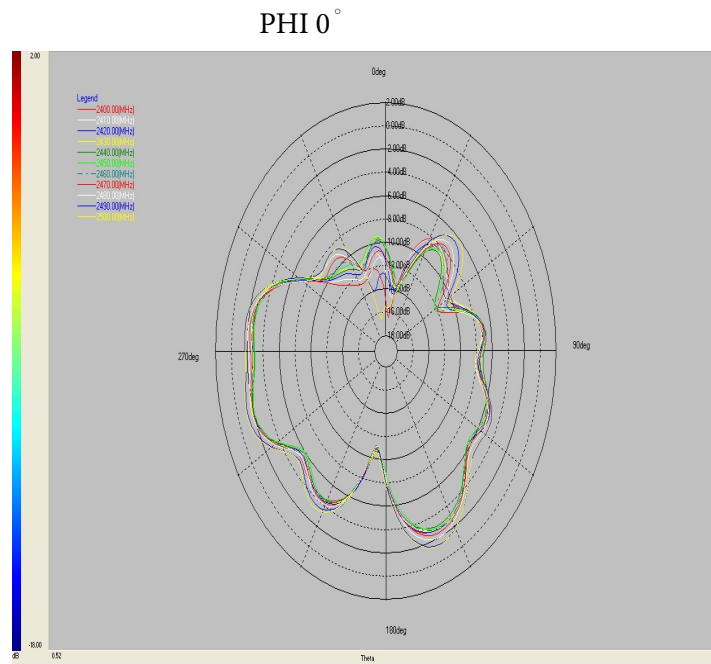
## 1: Antenna Description

Antenna Type	Microtrip Antenna
Antenna peak gain	1.08dBi
Frequency range	2.402GHz~2.480GHz
Connect type	Direct Connect

Antenna Photo & Length (mm)



### 3. 2D Radiation characteristics of antenna characteristics of antenna(VEC 03)



Frequency VNA (MHz)	Gain (Peak) (dBi)
2400MHz	0.0403503
2410MHz	0.0886264
2420MHz	0.267381
2430MHz	0.193012
2440MHz	0.26366
2450MHz	0.0723139
2460MHz	0.36895
2470MHz	0.551525
2480MHz	0.640702
2490MHz	1.05232
2500MHz	1.08443