

Installation Guide

TurnOnGreen™

EV700 Home Charger



TURN ON GREEN™
POWERING POSITIVE CHANGE

Important Safety Instructions

SAVE THESE IMPORTANT SAFETY INSTRUCTIONS CAUTION WARNING ATTENTION AVERTISSEMENT



This manual contains important instructions for EV700. When using electric products, always follow basic precautions, including the following.

1. Read and follow all warnings and instructions before installing and operating the TurnOnGreen charging station.

Install and operate only as instructed. Failure to do so may lead to death, injury, or property damage, and will void the Limited Warranty.

2. Only use licensed professionals to install your TurnOnGreen charging station and adhere to all national and local building codes and standards. Before installing the TurnOnGreen charging station, consult with a licensed contractor, such as a licensed electrician, and use a trained installation expert to ensure compliance with local building and electrical codes and standards, climate conditions, safety standards, and all applicable codes and ordinances. Inspect the charging station for proper installation before use.

3. Always ground the TurnOnGreen® charging station. Failure to ground the charging station can lead to risk of electrocution or fire. The charging station must be connected to a grounded, metal, permanent wiring system, or an equipment grounding conductor shall be run with circuit conductors and connected to the equipment grounding terminal or lead on the Electric Vehicle Supply Equipment (EVSE). Connections to the EVSE shall comply with all applicable codes and ordinances.

4. Install the TurnOnGreen charging station using a TurnOnGreen approved method. Failure to install on a surface that can support the weight of the charging station can result in death, personal injury, or property damage. Inspect the charging station for proper installation before use.

5. This charging station is not suitable for use in hazardous locations. Do not install EV700 near flammable, explosive, or combustible materials.

6. This device should be supervised when used around children.

7. Do not put fingers into the electric vehicle connector.

8. Do not use this product if the input power cable or EV charging cable is frayed, has broken insulation, or any other signs of damage.

Call TurnOnGreen customer support immediately at 1-877-634-0982.

9. Do not use this product if the enclosure or the EV connector is broken, cracked, open, or shows any other indication of damage. Call TurnOnGreen customer support immediately at 1-877-634-0982.

10. Use 105°C wire copper conductors only.

11. Do not operate EV700 in temperatures outside its operating range.

12. When using the EV Charger in an inside location such as a garage, position the EV Charger's main controller at least 18 inches (46 cm) above the floor.

13. Disconnect from all power sources before servicing unit.

14. For outdoor use, the pedestal shall be located at a height between 600 mm (24 inches) and 1.2 m (4 feet) above grade;

For indoor use, the pedestal shall be located at a height between 450 mm (18 inches) and 1.2 m (4 feet) above grade;

15. This device complies with Part 15 of the FCC Rules. Operation is subject to the following two conditions: (1) this device may not cause harmful interference, and (2) this device must accept any interference received, including interference that may cause undesired operation.

FCC Caution:

Changes or modifications not expressly approved by the part responsible for compliance could void the user's authority to operate the equipment.

FCC RF Radiation Exposure Statement Caution: This Transmitter must be installed to provide a separation distance of at least 20 cm from all persons.

FCC Statement:

This equipment has been tested and found to comply with the limits for a Class A digital device, pursuant to part 15 of the FCC Rules. These limits are designed to provide reasonable protection against harmful interference when the equipment is operated in a commercial environment. This equipment generates, uses, and can radiate radio frequency energy and, if not installed and used in accordance with the instruction manual, may cause harmful interference to radio communications. Operation of this equipment in a residential area is likely to cause harmful interference in which case the user will be required to correct the interference at his own expense.

IC statement:

This device complies with Industry Canada licence-exempt RSS standard(s).

Operation is subject to the following two conditions: (1) this device may not cause interference, and (2) this device must accept any interference, including interference that may cause undesired operation of the device.

Le présent appareil est conforme aux CNR d'Industrie Canada applicables aux appareils radio exempts de licence.

L'exploitation est autorisée aux deux conditions suivantes : (1) l'appareil ne doit pas produire de brouillage, et (2) l'utilisateur de l'appareil doit accepter tout brouillage radioélectrique subi, même si le brouillage est susceptible d'en compromettre le fonctionnement.

:

Cet émetteur doit être installé pour fournir une distance de séparation d'au moins 20 cm de toute personne.
IC, RF Radiation Exposure Statement, Caution: This Transmitter must be installed to provide a separation distance of at least 20 cm from all persons

Important: Under no circumstances will compliance with the information in this manual relieve the user of his/her responsibility to comply with all applicable codes or safety standards. This document describes the most commonly used installation and mounting scenarios. If situations arise in which it is not possible to perform an installation following the procedures provided in this document, contact TurnOnGreen, Inc. TurnOnGreen is not responsible for any damages that may occur resulting from custom installations that are not described in this document or for any failure to adhere to installation recommendations.

Product Disposal

The EV700 is electronic and therefore may not be disposed of as part of unsorted domestic waste. Inquire with local authorities regarding proper disposal.

No Accuracy Guarantee

Commercially reasonable efforts were made to ensure that the specifications and other information in this manual are accurate and complete at the time of its publication. However, the specifications and other information in this manual are subject to change at any time without prior notice.

Copyright and Trademarks

©2021 TurnOnGreen, Inc. All rights reserved. This material is protected by the copyright laws of the United States and other countries. It may not be modified, reproduced or distributed without the prior, express written consent of TurnOnGreen, Inc. TurnOnGreen is a U.S. and European Union registered trademark and service mark of TurnOnGreen, Inc. and cannot be used without the prior written consent of TurnOnGreen.

Table of Contents

- Package Contents7
- Tools8
- Location Planning.....9
- Electrical Requirements for Plug In.....11
- Mounting the EV70012
- Complete Installation13
- Operating the EV700 For Charging15
- Limited Warranty18

Package Contents

Notice: The EV700 Home charging station requires a NEMA 6-50 or 14-50 outlet. Contact an electrician if you do not have a NEMA 6-50 or 14-50 installed. If you do not know where to find one, refer to the TurnOnGreen Quick Start Guide or www.turnongreen.com/resources for help.

Check the box to ensure you have the Quick Start Guide, this installation guide, and these parts:

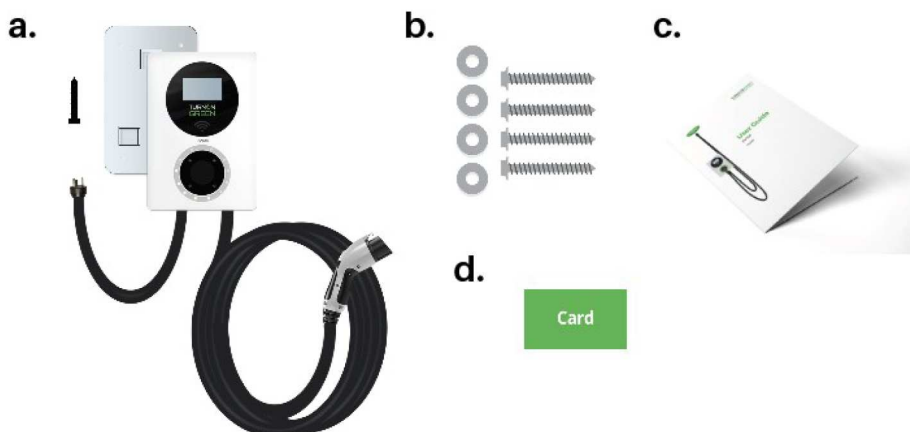
a. Charging station

- Mounting Bracket
- Input Cable (2 ft.)
- Output Cable (18 ft./24 ft. optional)
- Device/Mounting Bracket Joiner Screw

b. Screws (4) and washers (4)

c. User Guide

d. RFID Card



NOTE: The EV700 contains no field serviceable parts. Do not attempt to repair or service the unit yourself. Contact TurnOnGreen for repairs or servicing.

Notice: If any of the items listed above are absent, contact us at 1-877-634-0982.

Technical Parameters

MODEL: CEVAC-7KW-S18-TD, CEVAC-7KW-J17-S18, CEVAC-7KW-S24-TD

Product name: AC Wallbox Charging Station

Shell materia: Metal plate

Linear way: Lower incoming line, lower outgoing line

External Dimension of:380*250*90mm

Weight: 8.0kg

Input voltage: 208-240V AC

Input current: 32A

Input current: 50±10Hz

Power: 7kW/9kW/11kW

Output voltage: 208-240V AC

Output current: 32A

Standard: UL2594, UL2231, UL1998, UL991, SAE J1772

MTBF: 100, 000 hours

Applicable scene: Outdoor / Indoor

Operating ambient temperature: -30°C ~ +50°C

Operating Humidity: 5% ~ 95%

Elevation above sea level: < 2000m

IP Class: Type 3R



CAUTION:

Do not use this product if there is any damage to the unit.

Risk of electric shock. Do not remove cover or attempt to open the enclosure. No user serviceable parts inside. Refer servicing to qualified service personnel.

WARNING:

Risk of shock and explosion. This equipment has arcing or sparking parts that should not be exposed to flammable vapors. This equipment shall be located at least 18 inches (460 mm) above the floor. To reduce the risk of fire, replace only with same type and ratings of fuse. This device is intended only for charging vehicles and does not requiring ventilations during charging. Disconnect from all power sources before servicing unit.

Tools

These additional tools will be helpful for a quick installation:

- a. A NEMA-6-50 outlet or NEMA 14-50 outlet
- b. Measuring Tape
- c. Pencil
- d. Stud finder
- e. Level
- f. Drill



a.



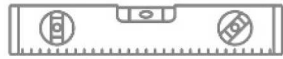
b.



c.



d.



e.

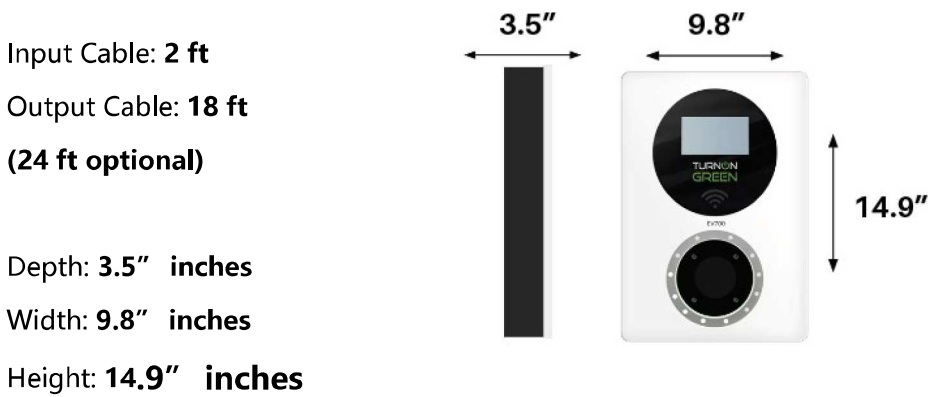


f.

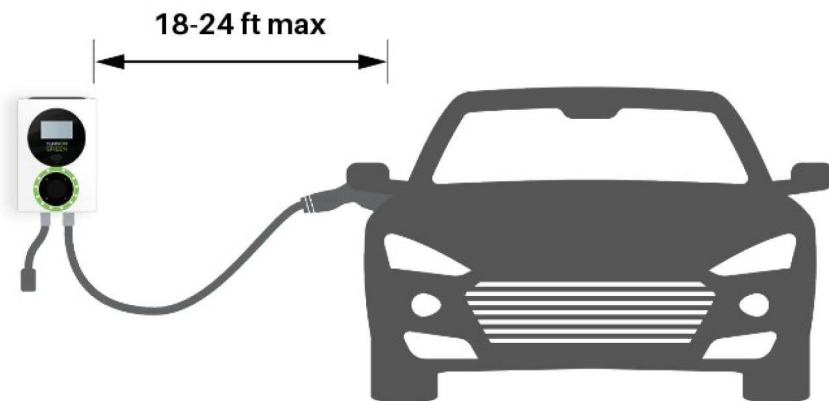
Location Planning

Prior to installation, verify your site has a sufficient electrical capacity and suitable location for mounting.

1. Be sure the area you have selected to mount your EV700 has sufficient space to accommodate the device. See dimensions below.



CAUTION: The circuit in use must be rated for 125% maximum load. The EV700 is a continuous load device.



2. Be sure the property owner has selected a location for installation that allows enough cable to reach the car, plus enough for remaining cable slack. Verify that a stud is available for mounting the charging device.

Notice: A plug-in install with a 50 amp is the only amperage allowed in Canada.

3. This charging station is not suitable for use in hazardous locations. Do not install EV700 near flammable, explosive, or combustible materials.



4. Be sure to install this device in an area that is inaccessible to children.



5. Ensure that the EV700 is within range of a Wi-Fi signal.



6. Failure to install this device on a surface that can support the weight of the charging station, cables, and necessary cable movement could result in personal injury or property damage.

WARNING: When installing outdoors, be sure the electrical outlet in use is weather-resistant and is outdoor-rated.

Electric Requirements for Plug In

DANGER: SHOCK RISK. Prior to wiring, make sure to turn off circuit breaker to the 240 V outlet. Do not return power to outlet until installation is complete. Failure to follow this step could result in shock or electrocution.

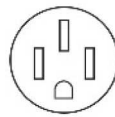
The homeowner should know the final amperage of the circuit and the expected charging rate available after activation. Discuss with your electrician or power utility company.

1. Before installing the TurnOnGreen charging station, consult with a licensed TurnOnGreen contractor or a licensed electrician, and use a trained installation expert to ensure compliance with local building and electrical codes and standards, climate conditions, safety standards, and all applicable codes and ordinances. Inspect the charging station for proper installation before use.

2. The EV700 is ready to be used out of the box if a 240V NEMA 6-50 or NEMA 14-50 outlet is available for use.



NEMA 6-50



NEMA 14-50

3. If a NEMA 6-50 or 14-50 outlet is not available, contact a licensed electrician for installation.

4. The EV700 is a constant current charging device requiring 32 amps from the property's main power source.

CAUTION: The circuit in use must be rated for 125% maximum load.

The EV700 is a continuous load device.

5. At minimum, it is recommended that a wire rated 600V/105°C, 8-gauge, 50-amp copper conductor is used to power the NEMA 6-50 or NEMA 14-50 outlet.

6. Ensure the electrical panel supports a 240V AC dedicated circuit with a new, dedicated, non-GFCI two-pole circuit breaker, in accordance with local codes and ordinances. Affix the label with the appropriate rating to the circuit in the panel.

Mounting the EV700

1. The bracket will need to be mounted independently of the EV700 charging device. Remove the joiner screw on the bottom side of the device to separate the bracket.

2. Locate the stud closest to the NEMA 6-50 (or 14-50) socket on which you wish to mount the EV700. The mounting bracket allows for vertical or horizontal screw installation.

2a. If your stud is visible, add an additional stud for horizontal and vertical screw applications.

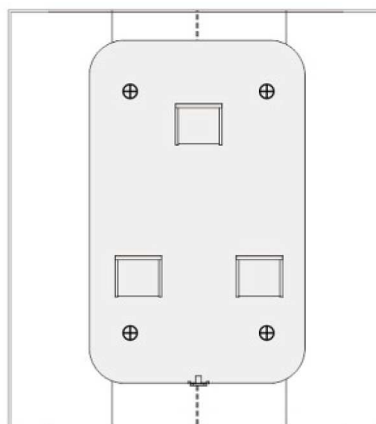
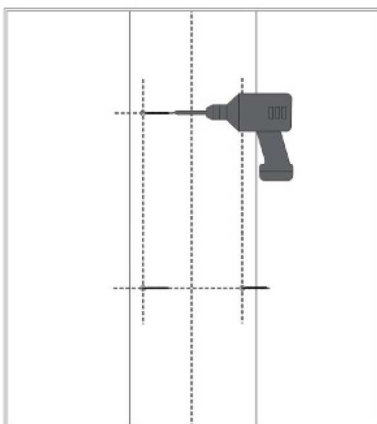
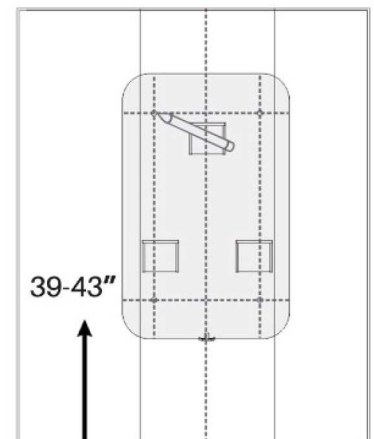
2b. If you are mounting on sheet rock wall, we recommend using a 50lb hollow wall anchor at all four anchor points.

3. Place the mounting bracket against the wall between 39-43 inches (990-1092mm) above the ground.

4. Make sure the bracket is evenly mounted using a level tool, and make markings with a pencil.

5. Drill pilot holes for each anchor screw.

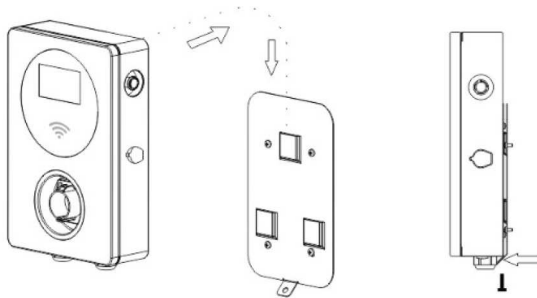
6. Install the mounting bracket using the washers, and anchor screws.



Complete Installation

1. Hang the EV700 on the wall mounting bracket.

2 Reattach the device to the newly mounted bracket using the joiner screw once again.

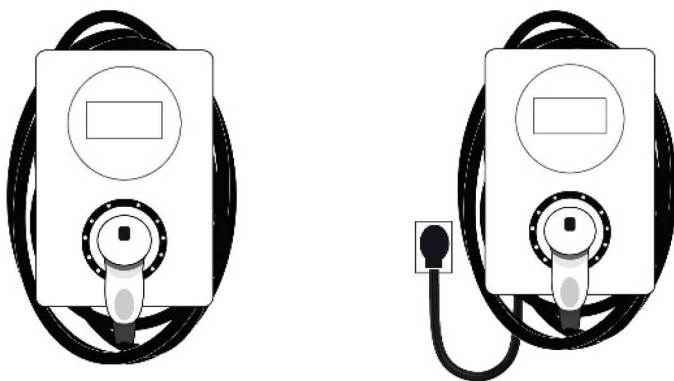


3. Extend the cable to its full length to remove any kinks or tension.

4. Drape the charging cable over the top of the charging station and dock the connector in its holster.

5. Restore power to the circuit at the electrical panel.

6. Plug the charging station into the outlet.



NOTE: Be mindful of the EV700 charging cable. Keep it positioned to prevent trampling, tripping, or damage. (Example: Do not close a garage door or drive over the charging cable.)

7. Watch to ensure that the front status light glows solid blue. (indicates standby mode)



8. When the EV700 is plugged into your EV the LED indicator will glow solid green.



9. Once the charger is activated the LED lights will **blink green** to indicate that a charge has been initiated.



10. In the event of a fault the LED light indicator will glow solid red.

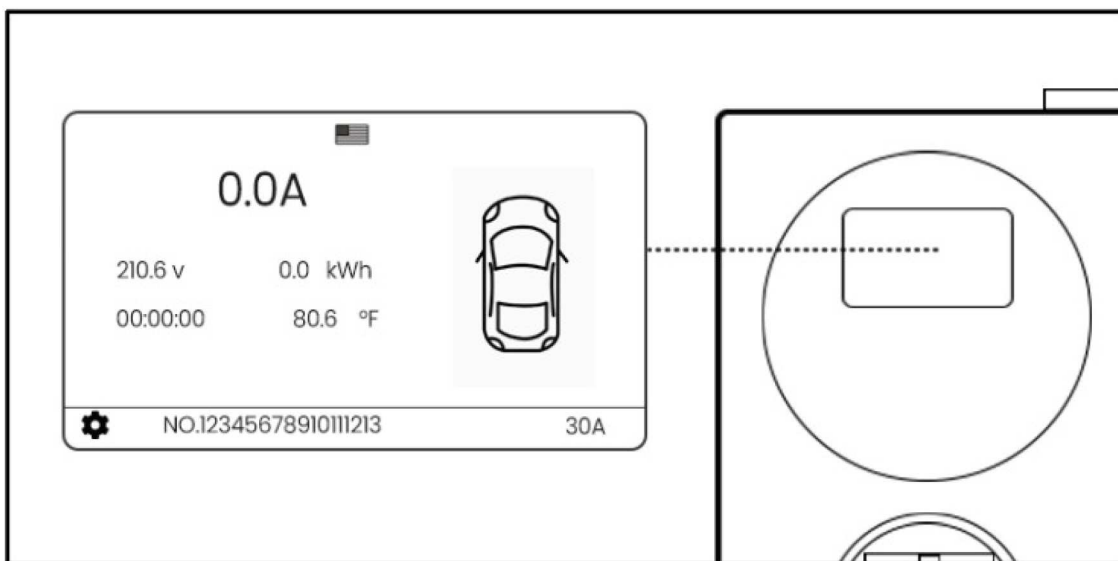


11. The EV700 is now ready for use. See User Guide for details.

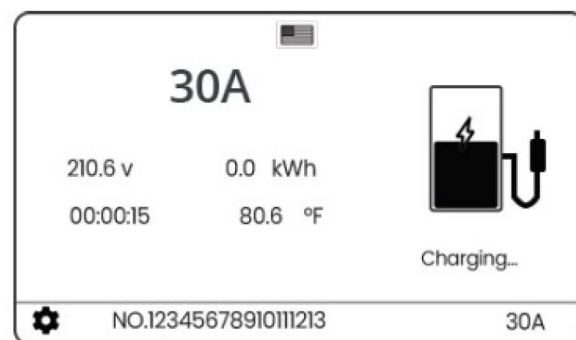
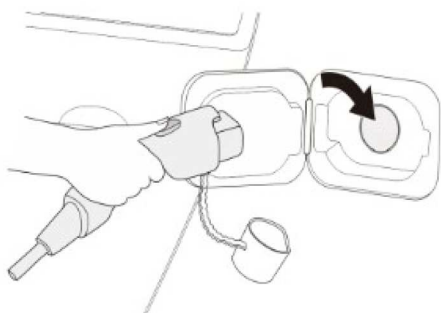
Operating the EV700 For Charging

Once the EV700 is powered properly, the main LCD touchscreen displays amperage, input voltage, kWh, charge time, and temperature.

The default charge activation settings for the EV700 are automatic and application operation - "Auto & App" . This setting allows you to simply plug the EV700 into your EV to begin charging, while also allowing operation via the App.



Plug the EV700 into your EV to begin charging. The LCD touchscreen will now display live statistics. The LED color indicator will also blink green while a charging session is taking place.

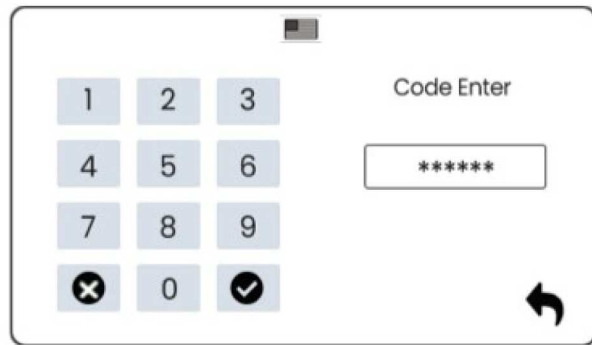




To change the operation settings to a different type of charge activation, select the gear at the bottom left of the touch screen.

To protect your EV700' s settings, a passcode must be entered before making any changes.

The default passcode is 123456. Enter these numbers and touch the check mark at the bottom right hand of the number pad.



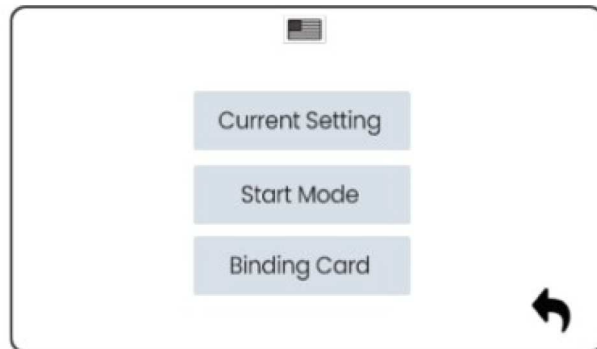
Once you have entered the code the touchscreen will display three properties available for modifying - Current Settings, Binding Card, and Start Mode.

Select **Start Mode** to select your preferred charging initiation style.

You may choose from three charge initiation processes.

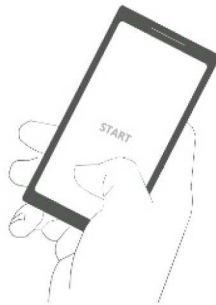
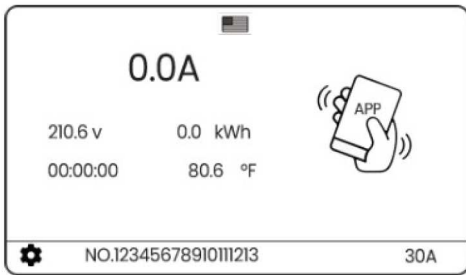
1. App Only
2. RFID & App
3. Automatic & App

Select the arrow at the bottom right of the touchscreen once you have made a selection to return to the home screen.



TurnOnGreen App

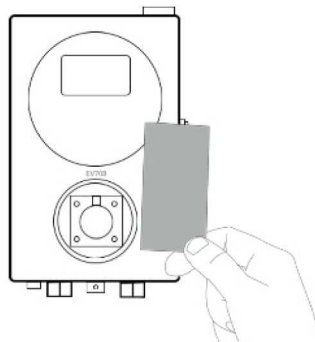
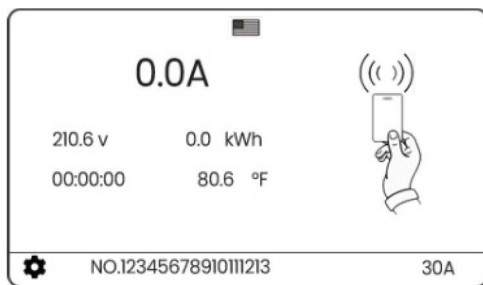
“App Only” restricts the EV700 to begin charging by mobile app only. Plug the EV700 into your EV, and the touchscreen will prompt you to activate the charge on your mobile device.



RFID

“Card & App” restricts the EV700 to begin charging only by RFID card, or mobile app. Plug the EV700 into your EV and the touchscreen will prompt you to activate the charge by swiping or using your mobile device.

Place the RFID card on the EV700 between the touch screen and the Wi-Fi symbol for at least 2 seconds to activate/deactivate a charge session.



For more user information about network setup, current setting, and RFID card setup scan this QR

code!

Limited Warranty

Our Promise

This Limited Warranty for TurnOnGreen EV700 Home Electric Vehicle charging station ("Warranty") applies to you, the original purchaser of a new TURNONGREEN EV700 charging station (the "charging station") from TURNONGREEN solely for use by you at your residence. This warranty is not transferrable and is valid for purchasers located in the U.S.A. and Canada only.

LIMITED ONE-YEAR PARTS EXCHANGE WARRANTY: Subject to the exclusions from Warranty coverage set forth below, TURNONGREEN warrants that, when used under normal operating conditions, your charging station will be free from any defects in materials or workmanship for a period (the "Warranty Period") of one (1) year from the date of original purchase. If, during the Warranty Period, your charging station becomes defective in breach of the Warranty, TURNONGREEN will, upon written notice of the defect received during the Warranty Period, either repair or replace, at TURNONGREEN' s election, the charging station. The Warranty covers both parts and factory labor necessary to repair your charging station, but does not include any on-site labor costs related to un-installing or reinstalling the repaired or replacement charging station. Purchase the extended three (3) year warranty by calling 1-877-634-0982 or visiting www.turnongreen.com/extendedwarranty.

1. If at any time during the term of your Warranty you believe you have a defective charging station, contact Customer Service at 1-877-634-0982 or support@turnongreen.com and request a Return Material Authorization ("RMA") number from TurnOnGreen.

2.

2. In connection with your RMA request, you will be asked for each of the following:

- A detailed description of the problems you are experiencing with the charging station;
- The model number and serial number of the charging station;
- Proof of purchase;and
- Shipping information

3. If TurnOnGreen determines that the defect appears to be covered by your Warranty and your Warranty is still in effect you will be provided a Returned Material Authorization number (RMA number) to reference when returning the defective charging station for repair or replacement.

4. Ship the defective charging station to TURNONGREEN and reference the RMA number in the shipping documentation. The charging station must be returned in its original shipping container or in another shipping container designed to prevent damage to the charging station.

5. If your charging station is covered by your Warranty, TURNONGREEN will either repair or replace the defective charging station at no charge to you and ship the repaired or replaced charging station back to you at TURNONGREEN' s expense.

Important

1. You are responsible for the proper installation and maintenance of the charging station including the un-installing of any defective charging station and the installation of the repaired or replacement charging station returned to you.
2. Any service or repairs beyond the scope of the Warranty above will be performed upon customer approval at TURNONGREEN' s then prevailing labor rates and other applicable charges.
3. Any charging station that is found by TURNONGREEN to be out-of-warranty or otherwise ineligible for warranty service will be returned, repaired or replaced upon your approval at TURNONGREEN' s standard charges at your expense.
4. Please read carefully through the detailed descriptions of the WARRANTY, the EXCLUSIONS FROM LIMITED PRODUCT WARRANTY, and the LIMITATIONS ON WARRANTY AND LIABILITY on the following pages to assure that your charging station is eligible for warranty service without additional cost to you.

Replacement Parts or Charging Stations

You acknowledge that replacement parts or charging stations provided by TURNONGREEN under the Warranty may be remanufactured or reconditioned parts or charging stations or, if the exact charging station is no longer manufactured by TURNONGREEN, a charging station with substantially similar functionality ("Replacement Products"). All replaced parts, whether under warranty or not, become the property of TURNONGREEN.

Any replacement parts or charging station so furnished will be warranted for the remainder of the original Warranty Period or ninety days from the date of delivery of such replacement parts or charging station, whichever is later. Should TURNONGREEN be unable to repair or replace your charging station, TURNONGREEN will refund the purchase price of the charging station to you.

Exclusions from Limited Product Warranty

IMPORTANT: The Warranty on your charging stations shall not apply to defects or service repairs resulting from the following:

- Improper site preparation or maintenance, improper installation, cosmetic damage such as scratches and dents, or normal aging.
- Abuse, vandalism, damage or other problems caused by accidents, misuse or negligence (including but not limited to physical damage from being struck by a vehicle), or use of the charging station in a way other than as specified in the applicable TURNONGREEN documentation.
- Damage to the charging station caused by software, interfacing, parts, supplies or any other product not supplied by TURNONGREEN.
- Installation, alteration, disassembly, modification, or relocation of the charging station that was not approved in writing by TurnOnGreen or performed by TurnOnGreen or by a licensed electrician pursuant to this guide.
- Damage as a result of extreme power surge, extreme electromagnetic field or any acts of nature.

- Any other causes beyond the control of TURNONGREEN.

IN ADDITION: The Warranty on your charging station shall not apply if the original identification markings (for example, serial numbers and trademarks) have been defaced, altered or removed or if the charging station is used or installed for any purpose other than for use at a single family residence.

TURNONGREEN SPECIFICALLY DOES NOT WARRANT THAT ANY TURNONGREEN SERVICES WILL BE ERROR FREE OR WILL OPERATE WITHOUT INTERRUPTION.

Limitations on Warranty and Liability

NO AGENT OF TURNONGREEN IS AUTHORIZED TO ALTER OR EXCEED THE WARRANTY OBLIGATIONS OF TURNONGREEN. THE REMEDIES IN THIS LIMITED PRODUCT WARRANTY ARE YOUR SOLE AND EXCLUSIVE REMEDIES. TURNONGREEN MAKES NO OTHER EXPRESS OR IMPLIED WARRANTIES OTHER THAN THE WARRANTY SET FORTH ABOVE. ALL OTHER WARRANTIES, INCLUDING WITHOUT LIMITATION ANY WARRANTY OF DESIGN, MERCHANTABILITY, FITNESS FOR A PARTICULAR PURPOSE (EVEN IF TURNONGREEN HAS BEEN INFORMED OF SUCH PURPOSE) OR AGAINST INFRINGEMENT, ARE EXCLUDED TO THE EXTENT PERMITTED BY LAW. IF ANY IMPLIED WARRANTY CANNOT BE DISCLAIMED UNDER APPLICABLE LAW, SUCH IMPLIED WARRANTY SHALL BE LIMITED IN DURATION TO THE WARRANTY PERIOD DESCRIBED ABOVE. NO WARRANTIES APPLY AFTER EXPIRATION OF THE WARRANTY PERIOD.

Some states or jurisdictions do not allow the exclusion of express or implied warranties or limitations on how long an implied warranty lasts, so the above limitation may not apply to you.

TURNONGREEN IS NOT LIABLE FOR ANY DIRECT, INDIRECT, INCIDENTAL, SPECIAL, PUNITIVE OR CONSEQUENTIAL DAMAGES, INCLUDING WITHOUT LIMITATION LOST PROFITS, LOST BUSINESS, LOST DATA, LOSS OF USE, OR COST OF COVER INCURRED BY YOU ARISING OUT OF OR RELATED TO YOUR PURCHASE OR USE OF, OR INABILITY TO USE, THE CHARGING STATION, UNDER ANY THEORY OF LIABILITY, WHETHER IN AN ACTION IN CONTRACT, STRICT LIABILITY, TORT (INCLUDING NEGLIGENCE) OR OTHER LEGAL OR EQUITABLE THEORY, EVEN IF TURNONGREEN KNEW OR SHOULD HAVE KNOWN OF THE POSSIBILITY OF SUCH DAMAGES. IN ANY EVENT, THE CUMULATIVE LIABILITY OF TURNONGREEN FOR ALL CLAIMS WHATSOEVER RELATED TO THE CHARGING STATION WILL NOT EXCEED THE PRICE YOU PAID FOR THE CHARGING STATION. THE LIMITATIONS SET FORTH HEREIN ARE INTENDED TO LIMIT THE LIABILITY OF TURNONGREEN AND SHALL APPLY NOTWITHSTANDING ANY FAILURE OF ESSENTIAL PURPOSE OF ANY LIMITED REMEDY.

Some states or jurisdictions do not allow the exclusion or limitation of incidental or consequential damages, so the above limitation or exclusion may not apply to you.

Additional Information

This Warranty shall be governed by and construed in accordance with the laws of the State of California, U.S.A., exclusive of its conflict of laws principles. The U.N. Convention on Contracts for the International Sale of Goods shall not apply.

This Warranty is the entire and exclusive agreement between you and TURNONGREEN with respect to its subject matter, and any modification or waiver of any provision of this statement is not effective unless expressly set forth in writing by an authorized representative of TURNONGREEN.



For more user information scan this QR code!



Copyright and Trademarks

©2021 TurnOnGreen, Inc. All rights reserved. This material is protected by the copyright laws of the United States and other countries. It may not be modified, reproduced or distributed without the prior, express written consent of TurnOnGreen, Inc. TurnOnGreen is a U.S. and European Union registered trademark and service mark of TurnOnGreen, Inc. and cannot be used without the prior written consent of TurnOnGreen.