

# TSB9265 User Manual

Thank you for purchasing this power bank. Please read the manual carefully before use, and keep it for reference in the future.



## Specification:

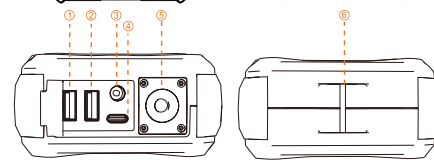
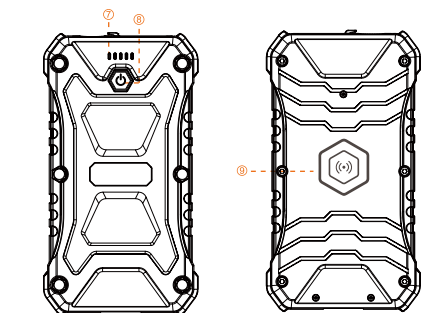
Capacity	30000mAh/111Wh
Type-C Input	5V/3A,9V/3A,12V/3A,15V/3A,20V/3A PD60W(max)
Type-C Output	5V/3A,9V/3A,12V/3A,15V/3A,20V/3.25A PD65W(max)
USB 1 Output	5V/3A,9V/2A,12V/1.5A 18W (max)
USB 2 Output	5V/3A,9V/2A,12V/1.5A 18W (max)
Wireless Charging	15W(max)
DC5525 Output	12V 2A(max)
Product size	173*95*47mm
Product net weight	800g
Full charging time	3.3 hours
Operation temperature	0~45 (°C)
Battery type	Li-polymer

Accessory List : User Manual, Power Bank, Cable

## Features:

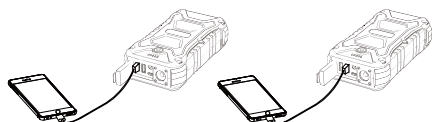
- 30000 mah large capacity
- Ip66 waterproof
- Hanging hook for easy carrying
- PD 65W Output
- DC 5525 Output
- 15W wireless charging
- 5 LED indicators to show battery level and status
- Quadrangle edge shockproof design

## Product presentation:



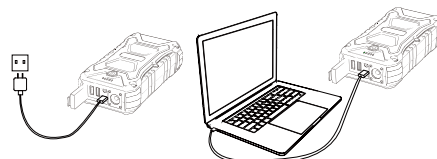
- ① USB 1 Output
- ② USB 2 Output
- ③ DC 5525 Output
- ④ Type-C Input&Output
- ⑤ Led lights
- ⑥ Hanging hook
- ⑦ 5 LED Indicators
- ⑧ Power button
- ⑨ Wireless charging

## Operating instructions:



Usb1 18W Output

Usb2 18W Output



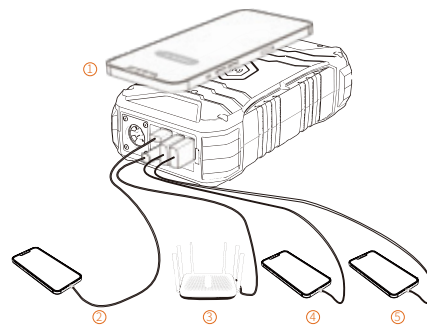
Type-C Input Views

Type C PD 65W Output



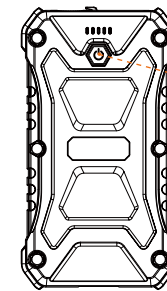
15W wireless charging

12V/2A DC5525 Output



## It can charge 5 devices at the same time

When two or more devices are charged at the same time, the output power of the usb1 and usb2 will decrease from 18w to 15w  
The PD65 does not support charging low-current devices



## NO/OFF Button

1. Press the button once to check power status and activate wireless charging, then press button twice to activate DC5525 output
2. Long press the power to turn on the flashlight
3. Press again shift to caution light
4. Press once again shift to SOS
5. Press once again shift to flashlight
6. Long press the button to turn off LED light

## Charging the power bank from an external power source:

1. Use the included USB charging cable connect to a power source such as an AC power adapter or any other USB power source
2. Battery's charging status is indicated by 5 LED indicators in the following manner:

Charging Status LED Indicators	0%~25%	25%~50%	50%~75%	75%~99%	100%
1st	Flashing white	●	●	●	●
2nd	OFF	Flashing white	●	●	●
3rd	OFF	OFF	Flashing white	●	●
4th	OFF	OFF	OFF	Flashing white	●
5th	Green LED is fast charging				

● Solid white

The fifth light is green when fast charging is in progress  
The DC 5525 output the first light is blue

## Charging mobile devices:

1. Connect the USB charging cable to your mobile device, it will start to charge automatically
2. Power bank will shut off within 8 seconds when disconnected

## Note:

1. The full charging time is only for your reference, please refer to actual operation.
2. High quality guarantee, using A-grade Li-polymer battery cell for this power bank.
3. Please use a cable matching your mobile phone and digital product. Slight heating may appear during charging and discharging.
4. Please store this Power Bank in a dry and cool place when not used.
5. If not used for a longer period, please make sure the Power Bank is fully charged at least every 6 months.
6. Please use the cable purchased with your Power Bank for charging it.
7. Please avoid metal or sharp items next to the Power Bank, to avoid scratches or damage.
8. Don't leave the Power Bank directly exposed to sunlight, as it may overheat.

## Warning:

- DO NOT attempt to open or dismantle the product.
- DO NOT subject the power bank to naked flames or extreme heat.
- DO NOT stand on or otherwise apply pressure to the power bank.
- DO NOT allow children to play with the power bank.
- As the device will charge in high temperatures please ensure the device is never charging for a longer period of time, as it has a maximum temperature of 45°C (113°F).
- Stop using this power bank if you experience expansion or break down, and contact local distributor.

## IC Statement:

This device contains licence-exempt transmitter(s)/receiver(s) that comply with Innovation, Science and Economic Development Canada's licence-exempt RSS(s). Operation is subject to the following two conditions:

- (1) This device may not cause interference; and
  - (2) This device must accept any interference, including interference that may cause undesired operation of the device.
- The term "IC:" before the certification/registration number only signifies that the Industry Canada technical specifications were met. This product meets the applicable Industry Canada technical specifications.
- Cet appareil contient des émetteurs / récepteurs exemptés de licence conformes aux RSS (RSS) d'Innovation, Sciences et Développement économique Canada. L'exploitation est autorisée aux deux conditions suivantes : (1) l'appareil ne doit pas produire de brouillage, (2) l'utilisateur de l'appareil doit accepter tout brouillage radioélectrique subi, même si le brouillage est susceptible d'en compromettre le fonctionnement.

## FCC Statement:

Changes or modifications not expressly approved by the party responsible for compliance could void the user's authority to operate the equipment.

This equipment has been tested and found to comply with the limits for a Class B digital device, pursuant to Part 15 of the FCC Rules. These limits are designed to provide reasonable protection against harmful interference in a residential installation. This equipment generates uses and can radiate radio frequency energy and, if not installed and used in accordance with the instructions, may cause harmful interference to radio communications. However, there is no guarantee that interference will not occur in a particular installation. If this equipment does cause harmful interference to radio or television reception, which can be determined by turning the equipment off and on, the user is encouraged to try to correct the interference by one or more of the following measures:

- Reorient or relocate the receiving antenna.
- Increase the separation between the equipment and receiver.
- Connect the equipment into an outlet on a circuit different from that to which the receiver is connected.
- Consult the dealer or an experienced radio/TV technician for help

This device complies with part 15 of the FCC rules. Operation is subject to the following two conditions (1) this device may not cause harmful interference, and (2) this device must accept any interference received, including interference that may cause undesired operation.