

# Test Report for Antenna Specifications for SU8NST

Thursday March 16<sup>th</sup>, 2023

## Table of Contents

- Test Report for Antenna Specifications for SU8NST ..... 1***
- Frequency range and operation ..... 2***
- Antenna type ..... 2***
- Antenna Gain ..... 2***
- Measurement Test method..... 2***
- Test Equipment used: ..... 2***
- Test set up..... 2***
- RADIATION PATTERN..... 3***
  - WiFi-1 Antenna .....3***
  - WiFi-2 Antenna .....6***
  - BT Antenna .....9***

## Frequency range and operation

WiFi-1 Antenna: 2.412 to 2.472 GHz and 5.18 to 5.825 GHz

WiFi-2 Antenna: 2.412 to 2.472 GHz and 5.18 to 5.825 GHz

Bluetooth Antenna: 2.402 to 2.48 GHz

## Antenna type

WiFi-1 Antenna: FPC ,

WiFi-2 Antenna: LDS

Bluetooth Antenna: Chip

## Antenna Gain

Band	Peak Gain (dBi)		
	Wi-Fi ANT 1	Wi-Fi ANT 2	BT ANT
2.4GHz	0.70 dBi	-5.10 dBi	2.42
5GHz Band I (5150-5250MHz)	0.90 dBi	0.20 dBi	
5GHz Band II (5250-5350MHz)	2.40 dBi	0.20 dBi	
5GHz Band III (5470-5725MHz)	1.80 dBi	1.10 dBi	
5GHz Band IV (5725-5850MHz)	-0.10 dBi	1.00 dBi	

## Measurement Test method

Large circle cutting method

## Test Equipment used:

**Chamber : ETS 8500**

**Equipment : E5071C**

## Test set up

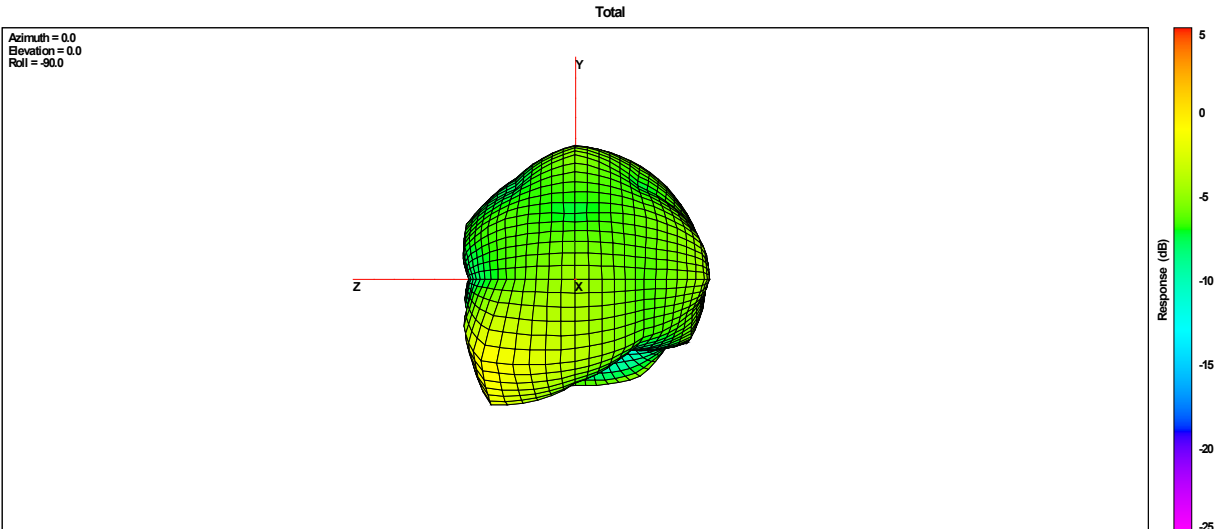
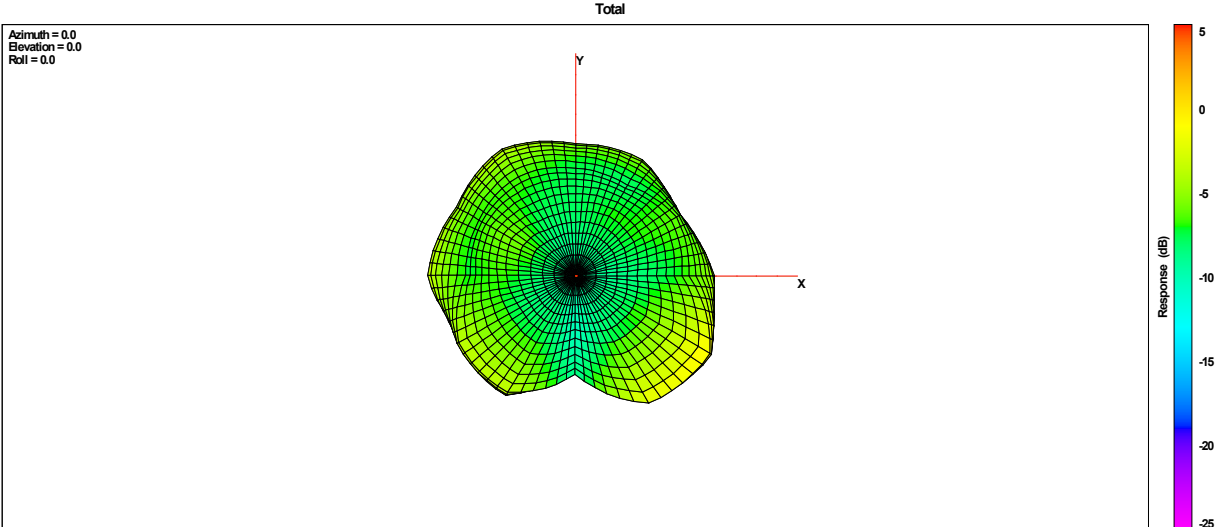
Refer to document – ‘SU8NST\_Antenna Report STC’

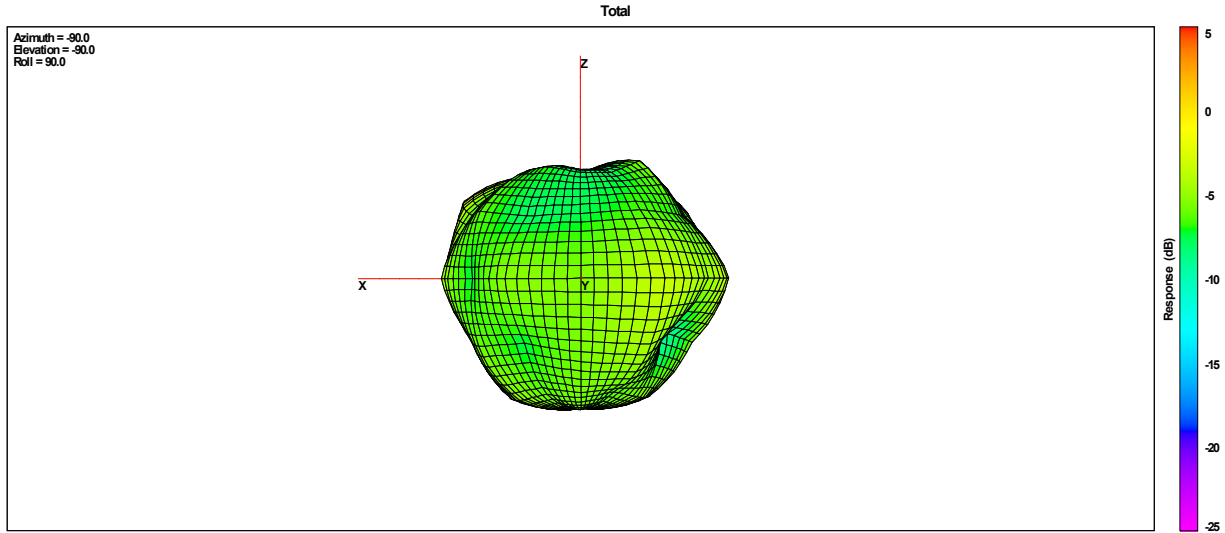
**Device Image and Antenna locations** – Refer to document – ‘SU8NST\_Antenna Report STC’

# RADIATION PATTERN

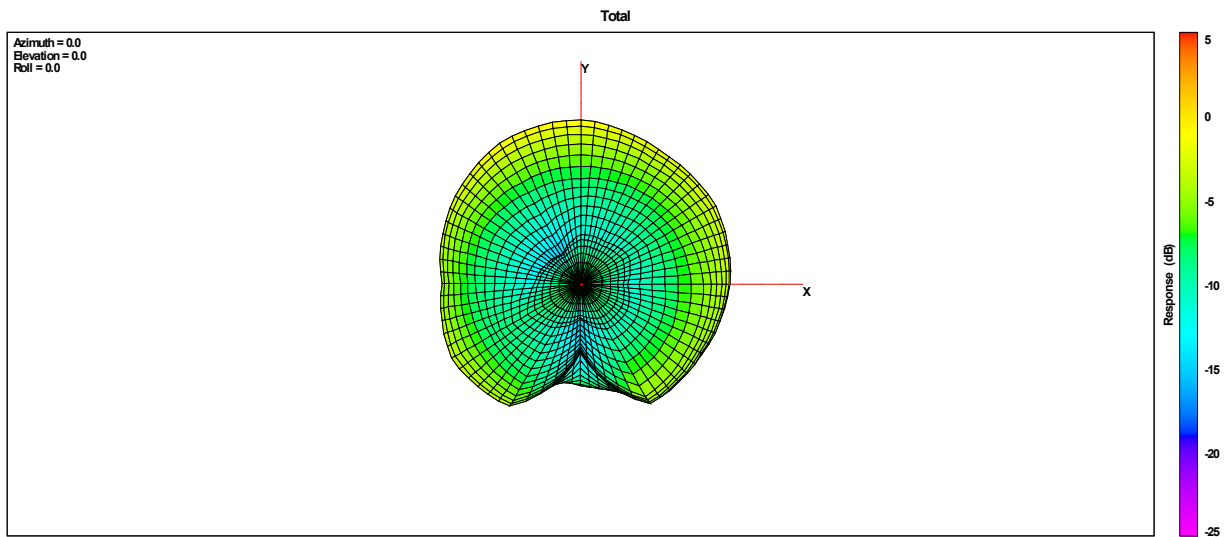
WiFi-1 Antenna

2440 MHz



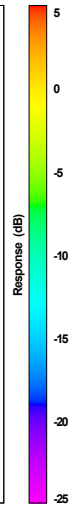
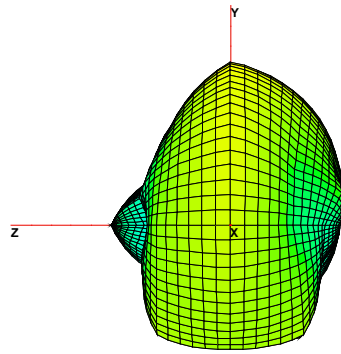


5500 MHz



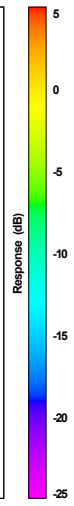
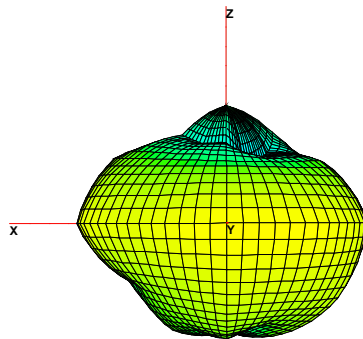
Total

Azimuth = 0.0  
Elevation = 0.0  
Roll = -90.0



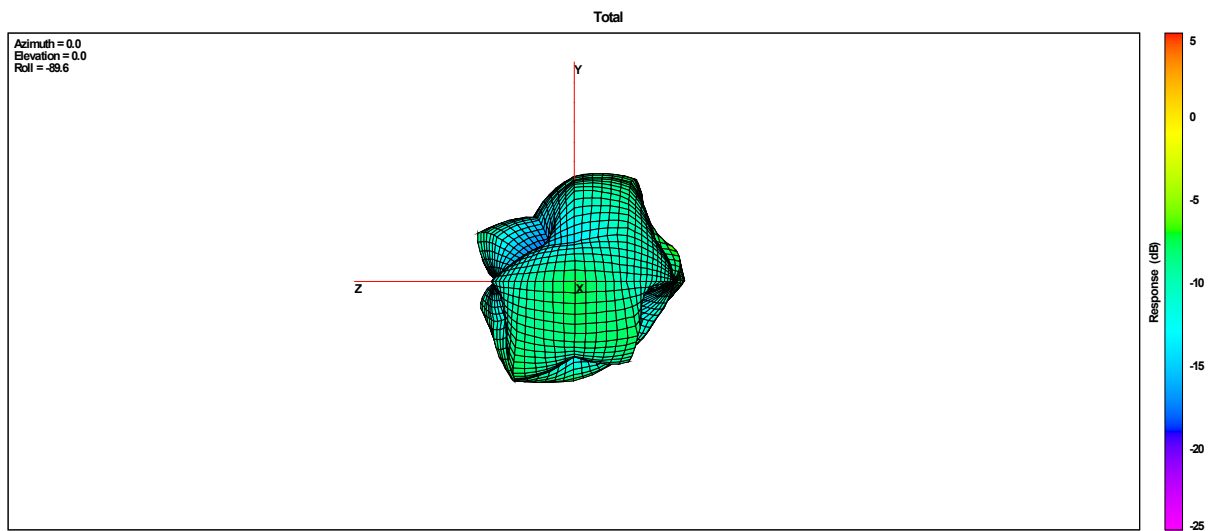
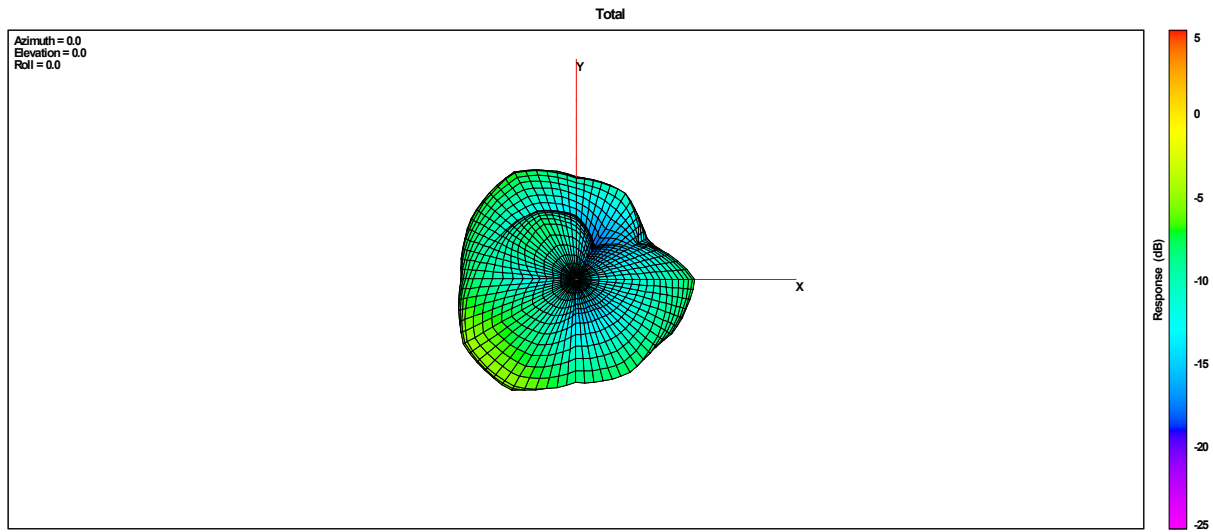
Total

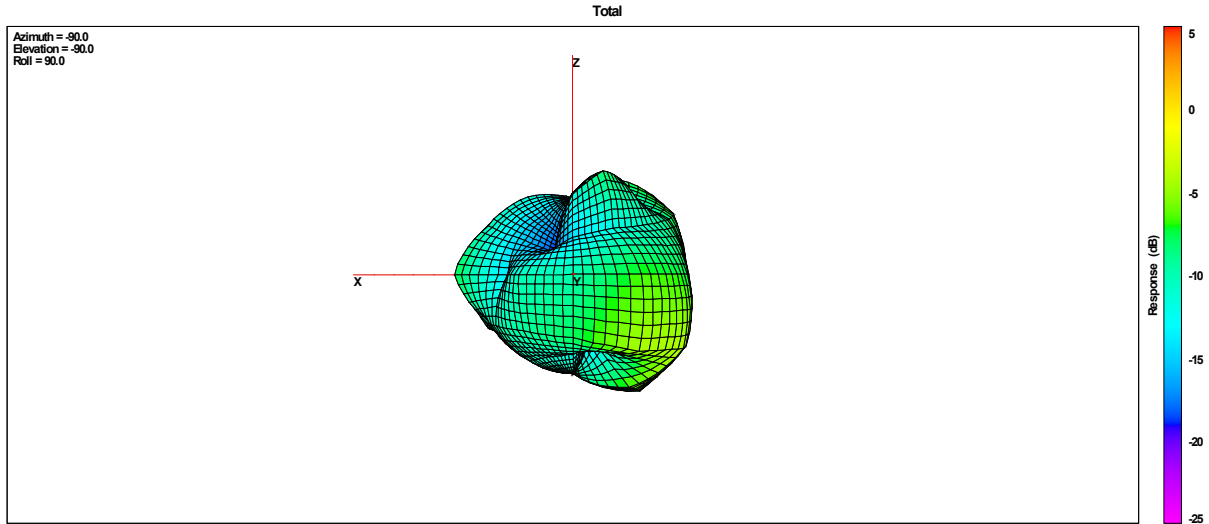
Azimuth = -90.0  
Elevation = -90.0  
Roll = 90.0



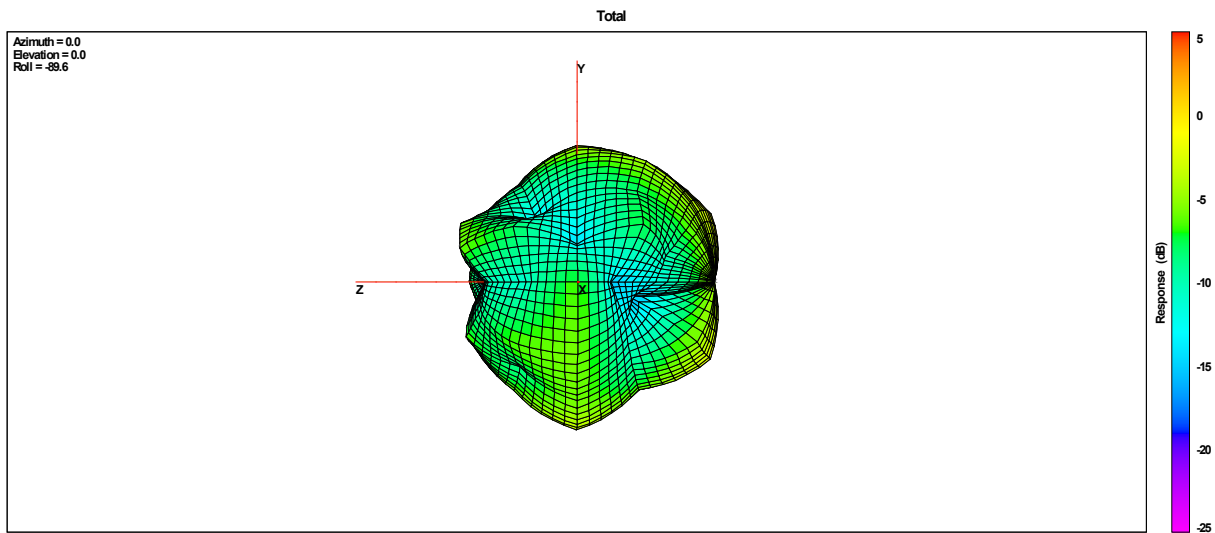
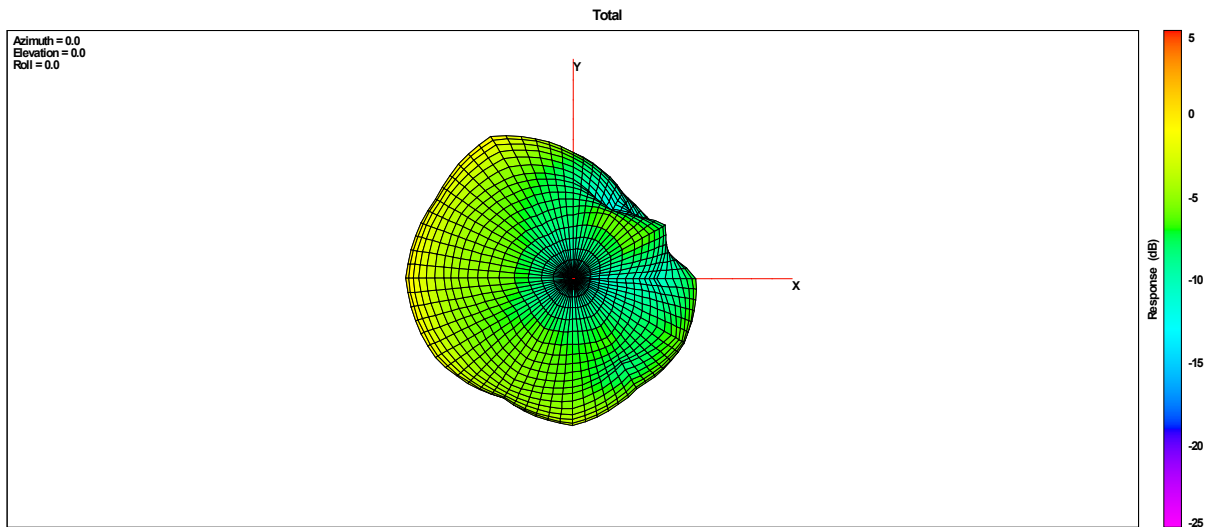
# WiFi-2 Antenna

2440 MHz



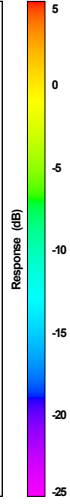
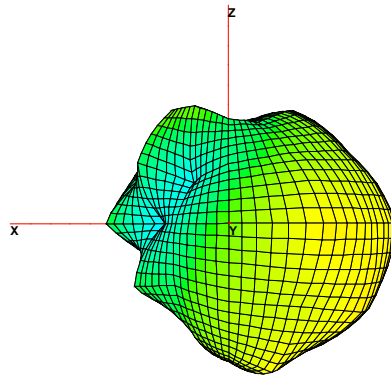


**5500 MHz**



Total

Azimuth = 90.0  
Elevation = -30.0  
Roll = 90.0





# BT Antenna

2440 MHz

