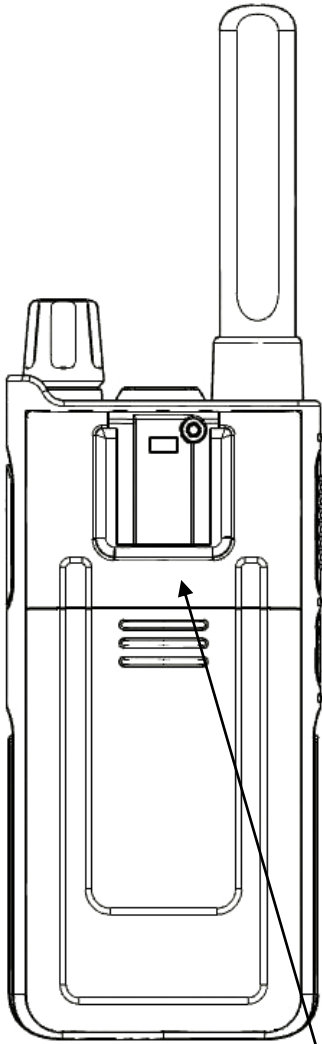


Label and label location



FCC ID: 2A4CJT1