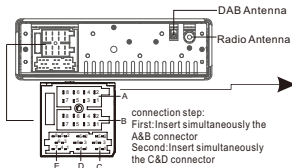


80.00 mm

AMS**CT412 DAB INITINAL**

When connecting the speakers. The speakerwires +/- must be connected with the speaker +/- directly. Any speaker wire can't connect with the iron or ground. Otherwise the unit may be damaged.

FCC STATEMENT

1. This device complies with Part 15 of the FCC Rules. Operation is subject to the following two conditions:

- (1) This device may not cause harmful interference, and
- (2) This device must accept any interference received, including interference that may cause undesired operation.

SERIAL NO.:

P/N: 1270720272000

12V **10A max**
⊖ GROUND

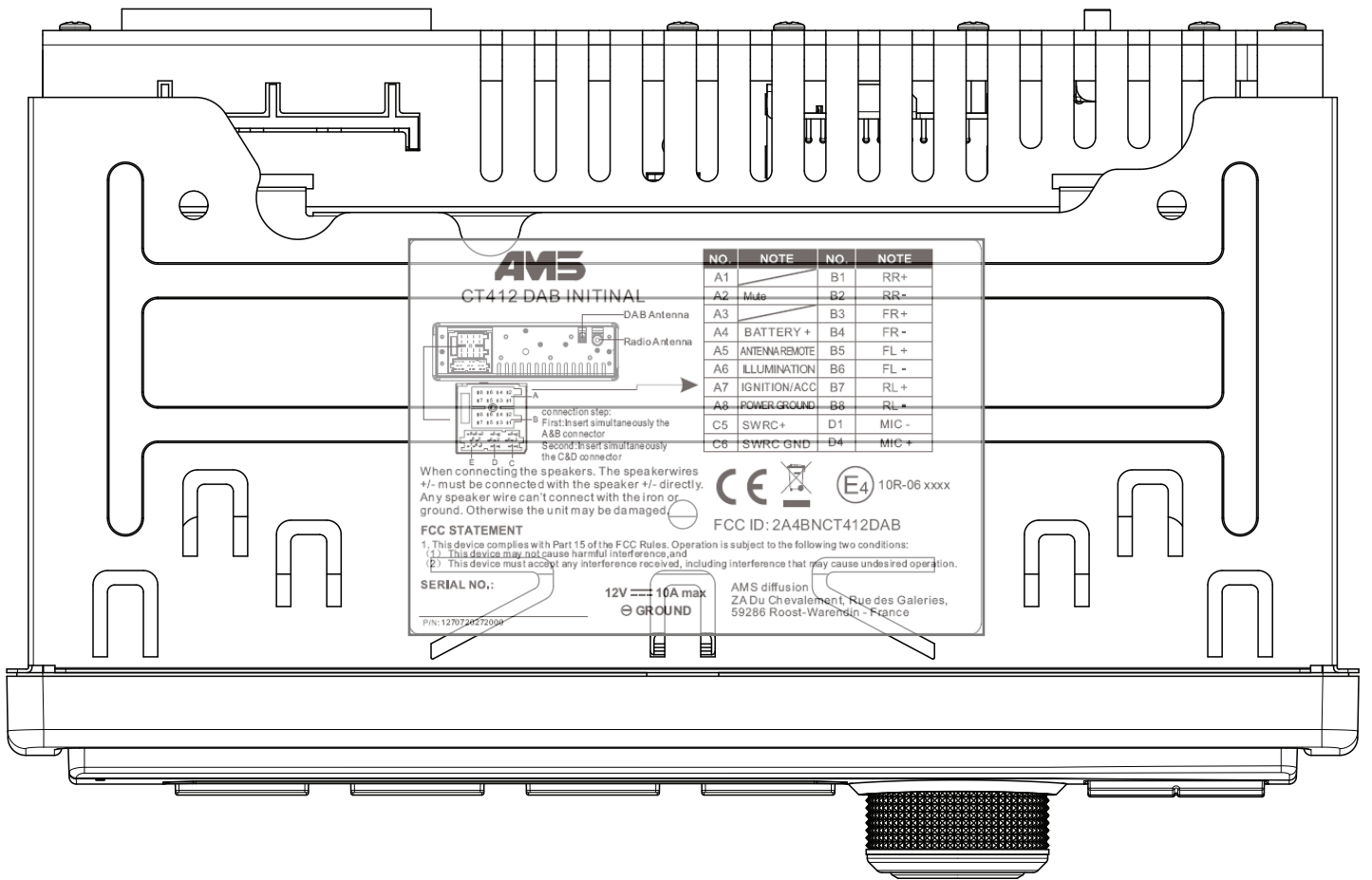
NO.	NOTE	NO.	NOTE
A1		B1	RR+
A2	Mute	B2	RR-
A3		B3	FR+
A4	BATTERY +	B4	FR-
A5	ANTENNA REMOTE	B5	FL +
A6	ILLUMINATION	B6	FL -
A7	IGNITION/ACC	B7	RL +
A8	POWER GROUND	B8	RL -
C5	SWRC+	D1	MIC -
C6	SWRC GND	D4	MIC +



FCC ID: 2A4BNCT412DAB

AMS diffusion
ZA Du Chevalement, Rue des Galeries,
59286 Roost-Warendin - France

55.00 mm



AMS
CT412 DAB INITIAL

DAB Antenna
Radio Antenna

connection step:
 A First: insert simultaneously the A&B connector
 B Second: insert simultaneously the C&D connector

When connecting the speakers. The speakerwires +/- must be connected with the speaker +/- directly. Any speaker wire can't connect with the iron or ground. Otherwise the unit may be damaged.

FCC STATEMENT
 1. This device complies with Part 15 of the FCC Rules. Operation is subject to the following two conditions:
 (1) This device may not cause harmful interference, and
 (2) This device must accept any interference received, including interference that may cause undesired operation.

SERIAL NO.: _____
 PIN: 1270724272008

12V $\frac{10A}{max}$
 GROUND

AMS diffusion
 ZA Du Chevalant, Rue des Galeries,
 59286 Roost-Warensin - France

NO.	NOTE	NO.	NOTE
A1		B1	RR+
A2	Mute	B2	RR-
A3		B3	FR+
A4	BATTERY +	B4	FR -
A5	ANTENNA REMOTE	B5	FL +
A6	ILLUMINATION	B6	FL -
A7	IGNITION/ACC	B7	RL +
A8	POWER GROUND	B8	RL -
C5	SWRC+	D1	MIC -
C6	SWRC-GND	D4	MIC +

CE $\frac{10R-06}{xxxx}$ E4
 FCC ID: 2A4BNCT412DAB