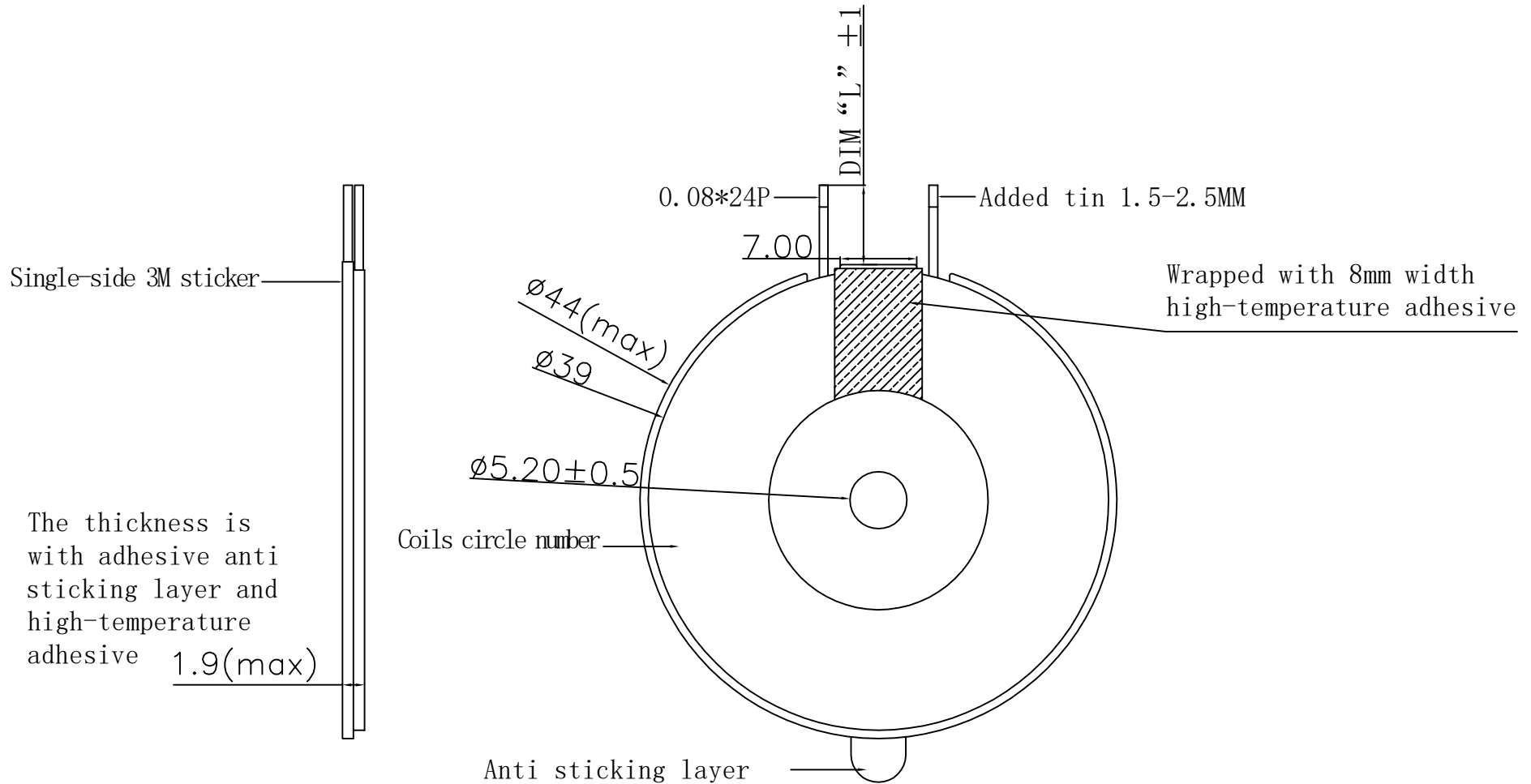


PASS RoHS2.0



Product information and requirements:

1. Tightly wrapped between each circle
2. Press the coil surface flat to ensure a thickness requirement of 1.9MM (MAX)
3. The coil is tightly attached to the magnetic material
4. Inductance: $6.3 \mu H \pm 10\%$
5. The dimensions marked with the symbol \boxtimes in the diagram are measured by QIP;
6. The dimensions marked with the symbol \boxtimes in the diagram are measured by FAI
7. Manufacturer: Dongguan Dingzhi Electronic Technology Co., Ltd.
8. Model: TX-DZ4405.3008-K6.5-L60
9. Gain: OdBi

Huizhou Tongyin Hai Precision Electronics Co., Ltd.

TOLERANCE	PART NO:	42.13.44.27460	TITLE:		
.00 ±0.05	DRAWN NO:	TYH-202010001	Mobile phone wireless charging coils		
.0 ±0.10	MATERIAL:	SEE TABLE	MODULE:		
0. ±0.20	SHEET: 1/1	SCALE: 1:1	P	UNIT: mm	SIZE: A4
ANGLE: 1°	APPD:	CHECK:	DRAWN: Huang Chun Hua		
\boxtimes	\boxtimes				REV. AO