
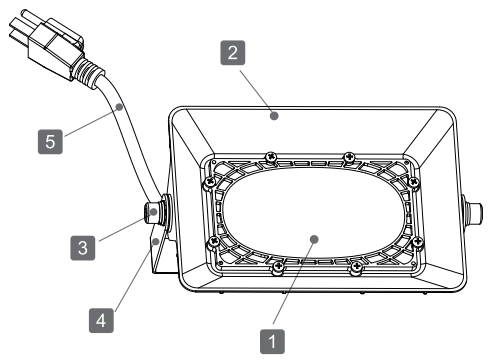


RGB Smart LED Floodlight User Guide

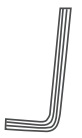


Product Overview




1. Lampshade
2. Lamp base
3. Hex bolt
4. Mounting bracket
5. Power cord with plug

You will need

 Hex key

Technical Data

Model	C21FG001-B0050A23
Operating voltage	AC 120V, 60Hz
Rated power	50W
Beam angle	120°
Operating ambient temperature	-25 ~ +50°C
Operating ambient humidity	10 - 95%RH
IP degree	IP66
Lifespan	50000h
Enclosure color	Black/White
Color temperature	RGB
Dimming	App control
Unit dimensions (L x W x H)	215*130*83mm
Unit net weight	0.5kg



Warranty & Contact

5-year warranty
Email: service@sansiled.com
Web: www.sansiled.com
Mfg. date is printed on the Certificate of Approval.

304

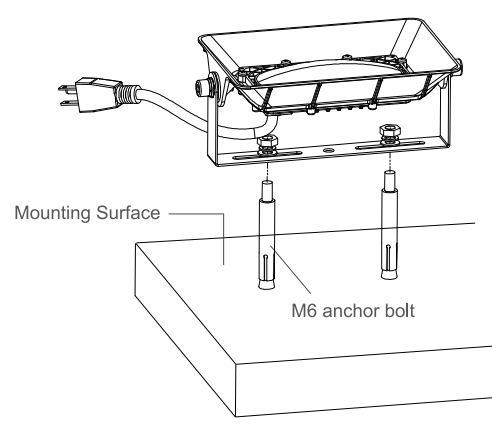
Assembly / Installation

Unpack the product and check the delivered components are complete and without any damage, read the user manual carefully.

Steps: Install the product onto the reserved surface for the installation→Tighten the product with M6 suites afterwards.

NOTE: Tighten the bolts, nuts and all fastening sets. Do not screw these fastening sets too lightly.

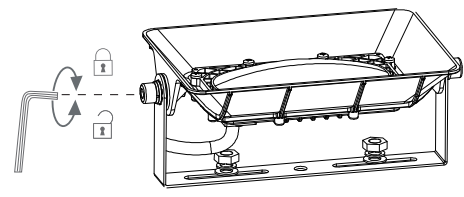
NOTE: Ensure the voltage given on the rating label / in the instruction manual complies with the power supply.



Mounting Surface
M6 anchor bolt

Angle Adjustment

- Loosen the fixing bolts on both sides with suitable Hex key by turning them counterclockwise. Only loosen the fixing bolts until the mounting bracket can be adjusted.
- Adjust the mounting bracket to the desired angle, then re-tighten the fixing bolts by turning them clockwise



Install the App

- Search **Stellar BLE** on App Store(iOS) or Playstore(Android) to get the App.
- Download the App and install.

NOTE: If the App is already on the smart phone, make sure it has been updated to the latest version.

Add Device

- Prepare the SANSI smart light and connect the power cord.
- Install the **Stellar BLE**, open the App.
- Make sure the Bluetooth on your phone is on, get the phone close to the device.
- Tap "+" on the top right of the "Light" interface, tap "Add Devices" to start searching devices.
- After the device is displayed on the list, select the device to be added, tap "NEXT" to continue.
- Wait for the device connection, ensure it has been added successfully, tap "OK" to finish.

Note: Retry it several times if adding failed due to connection error.

Factory Reset

2 methods available to reset the device to factory default.

- You can select "Disconnect" on the Light Information interface, then select Remove, the device will be reset successfully after it blinks to constant white light.
- You can also complete the reset by quickly switching On and Off for 6 times, the device will be reset successfully after it blinks to constant white light.

Other Functions

- Dimming
- RGB color change
- Schedule On/Off
- Countdown
- Group Management

Safety warnings

- Read the instruction manual thoroughly before first use. Follow all the safety instructions and information.
- If installed outdoors, the plug must be connected to an indoor socket or a socket that offers the same IP protection as the luminaire.
- Do not place any objects on the product. Mechanical loads may damage the product.
- Do not cover the product / lampshade e. g. with paper or textiles.
- Risk of burns! Do not touch the light source or the housing during use.
- Ensure the voltage given on the rating label or in the instruction manual complies with the power supply.
- Do not use the product if the parts are damaged, the product does not work properly or if the product is damaged.
- Do not open the housing under any circumstances. Do not insert any objects or fingers into the housing interior.
- Do not stare at the operating light source or direct the beam at other people or animals to prevent eye damage.
- Install the product according to the intended use and as described in this manual.
- Do not assemble the product in adverse ambient conditions or in rooms where heat sources, hot steam, corrosive gas, flammable gas, vapors or dust are present.
- Do not assemble / install the product under live conditions.
- There are no parts inside the product that can be repaired by the user.
- If the external flexible cable or cord is damaged, it shall be exclusively replaced by the manufacturer or its service center or a qualified specialist in order to avoid a hazard.
- The light source and power supply driver of this product are not replaceable. When the light source or power supply driver reaches the end of their life, the whole luminaire should be replaced.

设计	张婷婷	材料	说明书			初次使用合同号			
校对		铜板纸				图号	1300125235	RoHS	R
审核		版本	V02	比例 1:2	共页				

This device complies with part 15 of the FCC Rules. Operation is subject to the following two conditions: (1) this device may not cause harmful interference, and (2) this device must accept any interference received, including interference that may cause undesired operation.

Any changes or modifications not expressly approved by the party responsible for compliance could void the user's authority to operate the equipment.

NOTE: This equipment has been tested and found to comply with the limits for a Class B digital device, pursuant to Part 15 of the FCC Rules. These limits are designed to provide reasonable protection against harmful interference in a residential installation. This equipment generates, uses and can radiate radio frequency energy and, if not installed and used in accordance with the instructions, may cause harmful interference to radio communications.

However, there is no guarantee that interference will not occur in a particular installation.

If this equipment does cause harmful interference to radio or television reception, which can be determined by turning the equipment off and on, the user is encouraged to try to correct the interference by one or more of the following measures:

- Reorient or relocate the receiving antenna.
- Increase the separation between the equipment and receiver.
- Connect the equipment into an outlet on a circuit different from that to which the receiver is connected.
- Consult the dealer or an experienced radio/TV technician for help.

The device has been evaluated to meet general RF exposure requirement. The device can be used in portable exposure condition without restriction

FCC ID: 2A4AE-C21FG001