

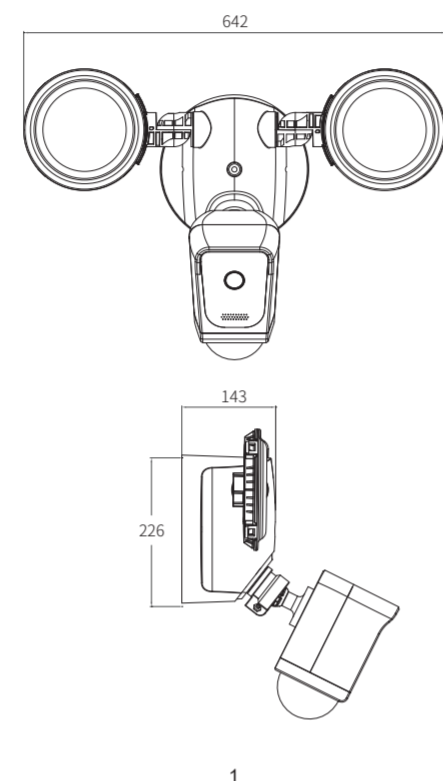
# Smart Wireless Floodlight Camera Quick Guide



**SANSI**

## Dimensions

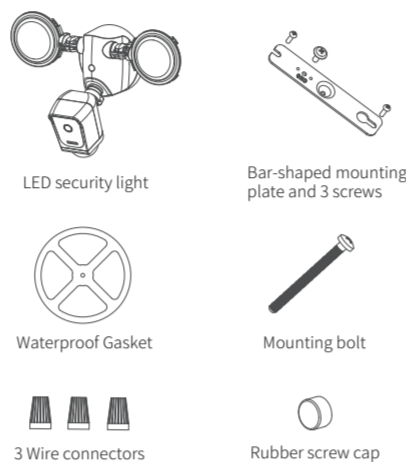
C21AF001-W0035A12



1

## Product and Accessories

All parts and accessories are to be found in the packaging. If some of them are missing, please contact us via service@sansiled.com



## Tools Needed



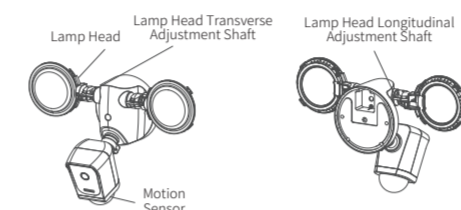
**WARNING:** If you are not sure how to mount / install the product, consult a local specialist technician. The wiring installation shall be strictly applied in compliance with the local regulations, rules and national electrical codes.

2

## Installation

### Before installation

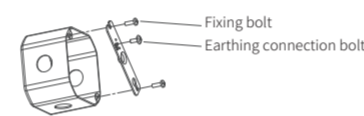
1. The product shall be mounted vertically on a flat surface of the wall.
2. Input voltage: local mains supply.
3. Mount the product at a height of 1 - 4 m. The optimal mounting height is 2.4 m.



**WARNING:** Switch off the power supply before mounting the product.  
**NOTE:** Find a place to mount the product, where the power line (live, neutral and earthing) is available.

### Step 1: Fixing the mounting plate

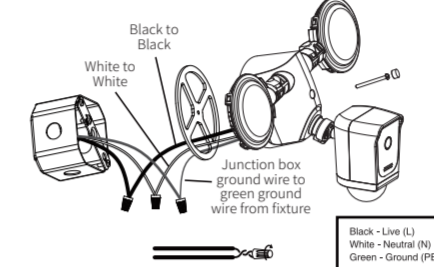
1. The bar-shaped mounting plate only matches with the standard junction box with an installation pitch of 88.9 mm.
2. Make sure the bar-shaped mounting plate is firmly tightened with the 2 fixing bolts.



3

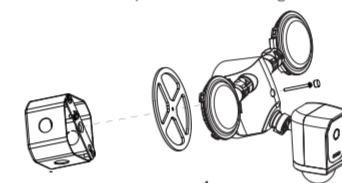
### Step 2: Wire Connection Black - Live (L) White - Neutral (N) Green - Ground (PE)

Strip wires 3/8" (9.5mm) if not previously stripped. Hold the BLACK house wire and the BLACK fixture wire together with ends even. Align any frayed strands or conductors. Push wires into wire nut and screw clockwise until two twists are visible in the wires. Repeat above procedure for both the GREEN or Ground house wire and the Ground fixture wire.



### Step 3: Mounting the product

1. Insert the mounting bolt through the center of the housing and rear cover.
2. Align the mounting bolt through the center of the sealing gasket to hold it in place.
3. Align the mounting bolt with the center hole of the bar-shaped mounting plate.
4. Position the housing and sealing gasket over the junction box.
5. Use a screwdriver to screw the mounting bolt into the mounting plate, until the product is securely fixed.
6. Fit the rubber screw cap onto the mounting bolt.



4

380

126

Please take attention that changes or modification not expressly approved by the party responsible for compliance could void the user's authority to operate the equipment. This device complies with Part 15 of the FCC Rules. Operation is subject to the following two conditions:  
(1) This device may not cause harmful interference, and  
(2) This device must accept any interference received, including interference that may cause undesired operation.

FCC ID: 2A4AE-C21AF001

This equipment complies with FCC radiation exposure limits set forth for an uncontrolled environment. This equipment should be installed and operated with minimum distance 20cm between the radiator & your body.

## Warranty & Contact

1-year warranty  
Email: service@sansiled.com  
Web: www.sansiled.com  
Mfg. date is printed on the Certificate of Approval

**SANSI**

## App Installation

Search **TuyaSmart** on App Store or Google Play to get the app, or you can also scan the QR code below.

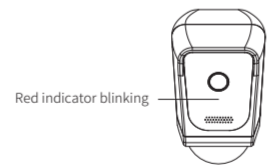


Open the app on your smartphone, follow the on-screen instructions to sign up and log in.

Note: This App is available on iOS 9.0/Android 4.4 or newer systems.

## Camera Setup

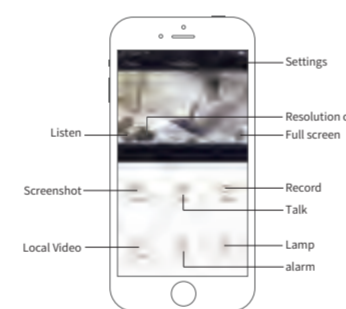
- Power on the device, the light will flash once, wait till the indicator turns red and blinking or a prompt tone is heard.
- If the indicator is not red and blinking, press the reset button for 5 seconds then release, the camera would be successfully reset.
- Add the device on the app, select Floodlight Camera under Camera & Back category.
- Follow App's instructions to complete network pairing process, the device will connect to your Wi-Fi network successfully.
- The blue indicator is on, camera is ready for viewing.



Standby for configuration  
Note: Only 2.4G WiFi is supported. The network pairing lasts for about 2 mins. If adding failed, make sure the network is stable and entered WiFi password is correct, re-add the camera.

5

## Operations on App

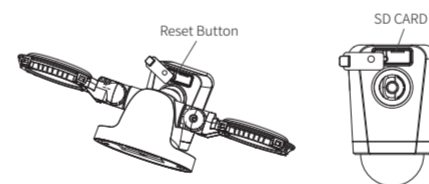


Screenshot	Photos saved in mobile phone
Talk and Listen	If need two way audio, please set in "Settings" - "Basic function settings"
Record	Video saved in mobile phone
Local Video	Video recorded for motion or full time
Lamp	Switch on/off lamp manually
Alarm	Switch for motion detection
Motion	PIR motion zone settings
Alarm/Motion/Lamp	After setting alarm and motion zone, lamp can be triggered to turn on automatically if camera is in night vision mode
Buzzer	Enable manually. Can't be triggered automatically

6

## Micro SD card

- To ensure SD card video recording works fine, we recommend Class 10 or higher speed Micro SD card.
- To make sure the device works normally, please format the SD card to FAT32 before the first use.
- Always power off the device first before inserting or removing the SD card.
- Insert the SD card properly into the slot as below.



## Camera Indicator

LED Indicator Status	Camera Status
Red indicator ON	System starting up
Red indicator blinking	Standby for configuration
Blue indicator blinking	Network pairing
Blue indicator ON	Camera online

7

## Safety Warnings

1. This product is suitable for use in wet locations.
2. Do not hang any objects on the product. Mechanical loads may damage the product.
3. Risk of burns! Do not touch the light source or the housing during use.
4. Ensure the voltage given on the rating label or in the instruction manual complies with the power supply.
5. Do not use the product if the parts are damaged, the product does not work properly or if the product is damaged.
6. Do not stare at the operating light source or direct the beam at other people or animals, to prevent eye damage.
7. Assemble / install the product according to the intended use and as described in this manual.
8. Do not assemble / install the product in adverse ambient conditions or in rooms, where heat sources, hot steam, corrosive gas, flammable gas, vapors or dust are present.
9. The operating ambient temperature of the product is -25 - +40°C; store the product and its accessories under -20 - +65°C. Do not use the product under the conditions with extremely high or low temperature.
10. Ensure the mounting surface (e.g. wall surface etc.) can load the weight of the product.
11. Do not assemble / install the product under live conditions.
12. To avoid personal hazard and product damage, keep the children or pets away from the product and its accessories during assembly / installation.
13. There are no parts inside the product that can be repaired by the user.
14. Do not install the product in the electric circuit loop with a dimmer.
15. If the external flexible cable or cord is damaged, it shall be exclusively replaced by the manufacturer, the service center or a qualified specialists to avoid hazards.
16. The light source and the power supply driver of this product are not replaceable. When the light source or power supply driver

8