



## *VX230 Instruction Manual*

# Quick Start Guide

For Gauge Hole Receivers

Not all features listed in this QSG  
are available on all models.

---

### THIS PACKAGE CONTAINS

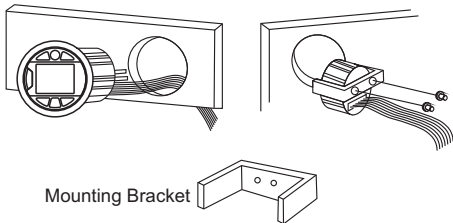
Marine Media Player with Bluetooth	x 1
U mounting bracket (Pre-installed)	x 1
Screw Posts (Pre-installed)	x 2
Hex Nuts (Pre-installed)	x 2
User Manual	x 1

# Mounting & Wiring

Please read entire manual before installation.

## Before You Start

Disconnect negative battery terminal. Consult a qualified technician for instruction. Avoid installing the unit where it would be subject to high temperatures, such as from direct sunlight, or where it would be subject to dust, dirt or excessive vibration.



## Getting Started

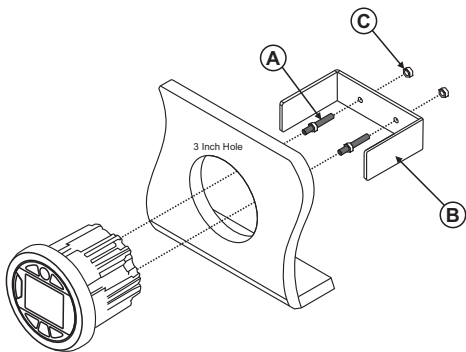
Once a suitable location has been decided, drill the hole and secure the stereo using the metal mounting bracket.

Color	Connection
Red	12V Ignition / Accessory
Yellow	Battery
Black	Ground
Grey	Right Front (+)
Grey/Black	Right Front(-)
White	Left Front (+)
White/Black	Left Front (-)
Violet	Right Rear(+)
Violet/Black	Right Rear(-)
Green	Left Rear(+)
Green/Black	Left Rear(-)

**Tip:** When a suitable ground wire is not present in the vehicle wiring harness. Connect the black ground wire to the vehicle chassis.

**Fuse:** When replacing the fuse, make sure new fuse is the correct type and amperage. Using an incorrect fuse could damage the radio.

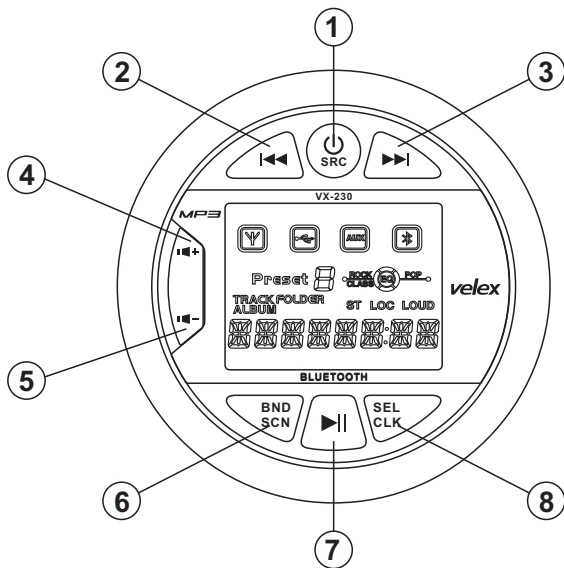
# Installation



## Mounting the Radio

1. Choose a mounting location on the dash board or instrument panel that will allow room behind to run radio cables to the power source. Consider how you will use the AUX IN, LINE OUT and USB connectors and route the appropriate extension cables to an accessible area.
2. Cut a hole (Diameter: 80mm/3.15 inch) in the dash board using the template provided on page 8. At least 3.5 inch depth is needed to mount the radio.  
**IMPORTANT! Do not mount this unit where it can be submerged in water.**
3. Attach the included screw posts (A) to the back of the radio.
4. Place the radio in front of the dashboard opening so the wiring can be brought through the opening.
5. After completing the wiring connections (page 2), turn the radio on to confirm operation (vehicle accessory switch must be on). If the radio does not operate. Recheck all wiring until the problem is corrected. Once proper operation is achieved, turn the accessory switch off and proceed with final mounting of the radio. Refer to the wiring diagram.  
NOTE: Before final installation, test the wiring connections to make sure the unit is connected properly and the system works.
6. Insert the radio into the mounting hole.
7. Place the 'U' bracket (B) over the screw posts and secure the radio to the dash using the included hex nuts (C).

## Control Locations - Receiver



- |                            |                   |
|----------------------------|-------------------|
| ① Power/Source             | ⑤ Volume Down     |
| ② Tune Down/Previous Track | ⑥ Band/Scan       |
| ③ Tune Up/Next Track       | ⑦ Play/Pause/MUTE |
| ④ Volume Up                | ⑧ Setting/Clock   |

## General Operation

Power on/off -- Press the ' ⏻ ' button to turn the unit on. Short press ' ⏻ ' for 3 seconds to turn the unit off.

Changing Modes Press 'SRC' to select between Radio (AM/FM), USB, Auxiliary and Bluetooth Music. Modes of operation are shown in the LCD display.

Volume --- Adjust volume using volume up/down button.

Auxiliary inputs Insert a 3.5mm connector in the AUX port, the other end of 3.5mm connector to the headphone output of an audio device (3.5 mm audio cable sold separately ).

SEL-Press SEL to select the audio setup menu option,

VOL/BASS/TREBLE/ BALANCE/FADE/LOUD(ON/OFF), EQ (Class/Pop/Rock Off), STEREO/MONO,DX/LOCAL, AREA EURO/USA, TIME SETTING AND RESET (FACTORY DEFAULT).

The relative icon will be displayed on LCD.

## Radio (AM/FM) Tuner Operation

Please connect to AM/FM aerial (not included) to ensure good radio reception.

Automatically Store Station: Switch to FM mode, long press BND for 2-3 seconds.

Switch between Manual / AUTO search – Press << or >> button for 2 seconds to switch between Manual / AUTO search.

When Manual is selected, short press >> button to move radio frequency up one step at a time, press << button momentarily to move down one step at a time. 5 seconds time out to quit and LCD display 'RECOVERY' and then back to the selected frequency.

When AUTO is selected, short press >> or << button to seek the next strong station, 5 seconds time out to quit and LCD display 'RECOVERY' and back to the station frequency.

Pick up Preset: Short press >> button and jump to the next Preset station;

## USB Operation (MP3/WMA)

To play MP3/WMA files, insert an USB device (not supplied) containing MP3/WMA files.

Switch to USB mode, the radio will automatically play music file from it's first track.

**Track Select**-Press >> to skip to the beginning of the next track.

Press << to skip to the beginning of the previous track.

Press and hold BND button for 3 seconds to enter Track search from 0001-9999.

**Track 0000** will be displayed on LCD, press VOL+ or VOL- to adjust the track number then press 'SEL' button to confirm the selection.

### Pause

Press >|| button to temporarily stop playback.

Press > || button again to resume playback.

Fast forward and reverse

Press and hold >> or << to fast forward or reverse a track.

## Bluetooth Operation

Preparation-Before using a Bluetooth device, it must be paired and connected. Ensure that Bluetooth is activated on your device before beginning the pairing process.

### Pairing

To pair your smart phone to VX230, press the SRC button to select 'BT' mode, the 'CONNECT' will be flash on the LCD screen.

Activate the Bluetooth on your smartphone to search for new devices. Connect with the device name ' VELEX ' when found. (If pin number is required by smart phone, please enter '0000'). Once pairing is successful, 'CONNECTED' will be displayed on the screen.

Press >> or << button to select next or previous track.

Press >|| button to pause or continue play back.

## Clock Display and Adjustment

Press SEL momentarily for several times until LCD display AM/PM + 0000, press and hold SEL for 2-3 seconds to enter Time Setting, use VOL+ or VOL- button to adjust the hour, then short press SEL button to enter minute setting, again use VOL button to set the correct minute, 3 seconds time out to quit and system will remember the time you've adjusted.

# Specifications

## General

Power supply requirements: DC 12V Negative Ground

Load impedance: 4-8 Ohms/channel

Maximum output power: 40W x 4 (CH)

Operate temperature: -10-50°C

FM Tuner: Tuning range: 87.9MHz-107.9MHz (USA)

87.5MHz-108MHz (EUR)

AM Tuner: Tuning range: 530KHz-1710 KHz (USA)

522KHz-1620 KHz (EUR)

## USB playback

Signal to Noise Ratio: 55dB

Frequency Response: 50Hz- 20KHz

A/D Conversion Filter: 16BIT

USB Storage Capacity: 16GB Max

## Bluetooth

Version: 5.0

\*Note: Specification may change without notice.

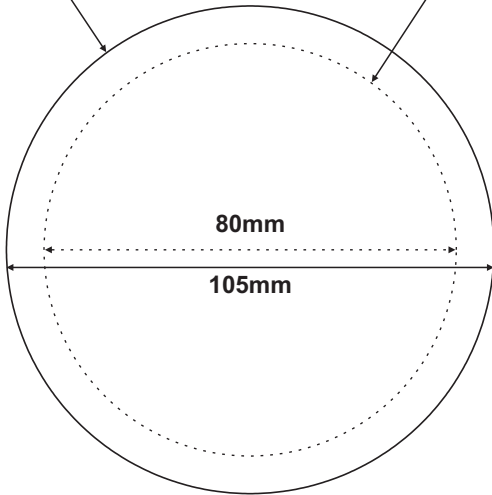
# Trouble Shooting

ISSUE	OPTIONS
Unit will not turn on (no power)	Cause: Yellow/red wire not connected or incorrect voltage Action: Check connections for proper voltage (11-16V DC)
	Cause: Black wire not connected Action: Check connection to ground
	Cause: Fuse blown Action: Replace the fuse
Unit has power (but no sound)	Cause: Speaker wire not connected Action: Check connections at speakers
	Cause: One or more speaker wires touching each other or touching chassis ground Action: Insulate all bare speaker wires from each other and chassis ground
Unit blows fuses	Cause: Yellow/red wire touching chassis ground Action: Check for pinched wire
	Cause: Speaker wires touching chassis ground Action: Check for pinched wire
	Cause: Incorrect fuse rating Action: Use fuse with correct rating

# Cutting Template

Outer edge of stereo  
(Push out)

Mounting hole  
(Push out)





This device complies with part 15 of the FCC Rules. Operation is subject to the following two conditions: (1) this device may not cause harmful interference, and (2) this device must accept any interference received, including interference that may cause undesired operation.

Any changes or modifications not expressly approved by the party responsible for compliance could void the user's authority to operate the equipment.

NOTE: This equipment has been tested and found to comply with the limits for a Class B digital device, pursuant to Part 15 of the FCC Rules. These limits are designed to provide reasonable protection against harmful interference in a residential installation. This equipment generates, uses and can radiate radio frequency energy and, if not installed and used in accordance with the instructions, may cause harmful interference to radio communications.

However, there is no guarantee that interference will not occur in a particular installation.

If this equipment does cause harmful interference to radio or television reception, which can be determined by turning the equipment off and on, the user is encouraged to try to correct the interference by one or more of the following measures:

- Reorient or relocate the receiving antenna.
- Increase the separation between the equipment and receiver.
- Connect the equipment into an outlet on a circuit different from that to which the receiver is connected.
- Consult the dealer or an experienced radio/TV technician for help.

The device has been evaluated to meet general RF exposure requirement. The device can be used in portable exposure condition without restriction