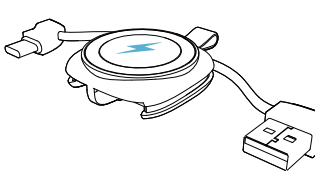


Instructions

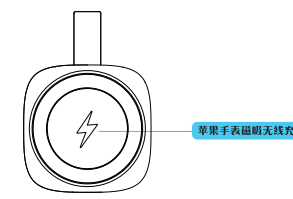
产品使用说明书

S4




规格参数


产品名称	iWatch无线充电器
产品型号	S4
苹果手表充电功率	2.5W
产品尺寸	38.1*38.3*13.6±0.1mm




苹果手表磁吸无线充



Type-C输入线

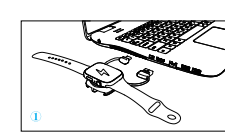


USB输入线

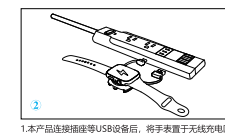


挂绳

充电说明



1.本产品连接笔记本电脑等USB设备后，将手表置于无线充电区上方，手表可自动贴在产品表面，开始无线充电。



1.本产品连接插座等USB设备后，将手表置于无线充电区上方，手表可自动贴在产品表面，开始无线充电。

功能说明


设备接入USB等接口后，手表无线充电功能开始工作，拔出数据线后设备停止工作。

注意事项

*此设备使用过程中，会轻微发热，但不烫手表于正常现象。
 *请始终保持产品干燥，勿用化学试剂进行清洁擦拭。
 *请爱护环境，在指定地点回收此设备，请勿随意弃置。
 *儿童或不具备单独使用此设备的人，必须在成人的监督指导下使用此设备。
 *请勿碰撞、自行拆卸、刺穿挤压或将此设备置于高温环境中。
 *请勿将此移动设备应用在不符合输出参数要求的设备上，可能会导致故障或火灾。

包装清单

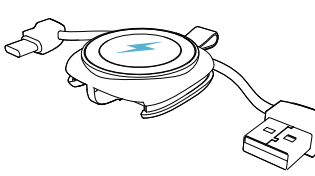
- 移动设备*1
- 说明书*1



Instructions

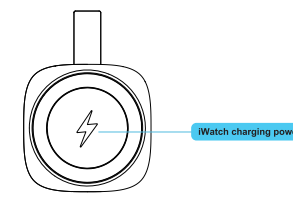
Product manual

S4




Specifications


Product name	iWatch wireless charger
Product model	S4
iWatch charging power	2.5W
Product size	38.1*38.3*13.6±0.1mm




iWatch charging power



Type-C input cable

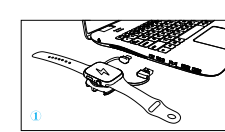


USB input cable

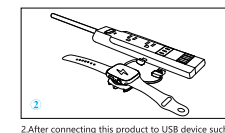


Lanyard

Charging instructions



1.After connecting this product to USB device such as Laptop, put the watch above the wireless charging area and it can be automatically attached to the surface of the product to start wireless charging.



2.After connecting this product to USB device such as Socket, put the watch above the wireless charging area and it can be automatically attached to the surface of the product to start wireless charging.

Power bank function description


After the device is connected to an interface such as USB, the wireless charging function of the watch starts to work, and the device stops working after the data cable is removed.

Precautions

*Always keep the product dry and do not use chemical agents for cleaning and scrubbing. Please protect our environment, recycle this device at the designated location.
 *Children or persons who are not equipped to use this device alone must use this device under the supervision of an adult.
 *Do not bump, disassembly, pierce, crush, or expose this device to moisture.
 *Do not apply this mobile device to devices that do not meet the output parameter requirements, it may cause malfunction or fire.

Packaging List

- Mobile device*1
- Manual*1



FCC WARNING

This device complies with part 15 of the FCC Rules. Operation is subject to the following two conditions: (1) this device may not cause harmful interference, and (2) this device must accept any interference received, including interference that may cause undesired operation.

Any changes or modifications not expressly approved by the party responsible for compliance could void the user's authority to operate the equipment.

NOTE: This equipment has been tested and found to comply with the limits for a Class B digital device, pursuant to Part 15 of the FCC Rules. These limits are designed to provide reasonable protection against harmful interference in a residential installation. This equipment generates, uses and can radiate radio frequency energy and, if not installed and used in accordance with the instructions, may cause harmful interference to radio communications.

However, there is no guarantee that interference will not occur in a particular installation.

If this equipment does cause harmful interference to radio or television reception, which can be determined by turning the equipment off and on, the user is encouraged to try to correct the interference by one or more of the following measures:

- Reorient or relocate the receiving antenna.
- Increase the separation between the equipment and receiver.
- Connect the equipment into an outlet on a circuit different from that to which the receiver is connected.
- Consult the dealer or an experienced radio/TV technician for help.

To maintain compliance with FCC's RF Exposure guidelines, This equipment should be installed and operated with minimum distance between 20cm the radiator your body: Use only the supplied antenna.