

# Product Manual

Thank you very much for purchasing our USB smart charger. Please read carefully before using this manual to help place for future reference.

## Product Model: WLX-X9

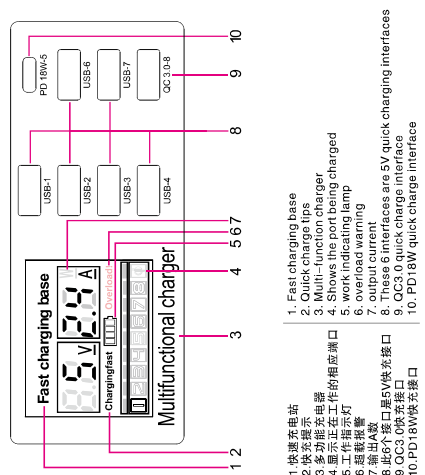
- Product Features**
1. PD 18W + QC3.0 18W + 4-port USB has 6 charging ports, which can charge 6 devices at the same time, the total power exceeds 100W, the total power exceeds 100W and the power supply will stop working.
  2. The LCD screen automatically goes out after 1 minute of charging the device.
  3. Built-in inductive sensor, when the charger receives a vibration signal, the LCD screen lights up.
  4. The display can display the current and voltage of each port in real time.
  5. Built-in intelligent protection system over-voltage, over-heat, over-current protection effectively prevent fire and safety.
- Product Parameters**
1. Color: Rubber black/Gemine white
  2. Input voltage: AC 100~240V, 50~60Hz
  3. Total output voltage: DC 5V/2A, 100W (Maximum)
  4. Power cord length: 1.2 meters
- Wireless charging: 15W**

- Warning:**
1. The warranty scope of the products produced by the company for the company.
  2. All products caused by the normal use warranty period can be submitted to the company for after-sales service according to the terms of this warranty.
  3. The reasons for product damage are as follows, the company does not provide:

- Reasons for not providing:**
1. Wrong use or copying the company's products;
  2. Accidental damage or man-made damage;
  3. Man-made damage, water ingress, mechanical damage, damage, personal derelicting, etc.
  4. Appearance wear and scratch deformation.
- Precautions:**
1. The charger is 100W, which can charge 6 1.2A mobile phones at the same time. Each charger has a different current, as long as the total current does not exceed 100W, it can be used normally. When the total current exceeds 2A, the charger will be in overcurrent protection state, the indicator will flash the charger will stop working, immediately unplugging the data cable to reduce the charging device, automatically after about 3 minutes, the display will be playing the data cable will be used normally.
  2. The charger provides a certain amount of heat during operation, so do not use it in a closed and non-ventilated environment.

# Product Schematic

Model: WLX-X9



- 急速充電ステーション**
- 1.急速充電ステーション
  - 2.急速充電のヒント
  - 3.多機能LEDディスプレイ
  - 4.多機能動作しているインテリジェントランプ
  - 5.動作指示ランプ
  - 6.過電流警告
  - 7.出力電流
  - 8.この6つのポートは5V急速充電ポートです
  - 9.QC3.0急速充電ポート
  - 10.18W急速充電ポート

1. 急速充電ステーション
2. 急速充電のヒント
3. 多機能LEDディスプレイ
4. 多機能動作しているインテリジェントランプ
5. 動作指示ランプ
6. 過電流警告
7. 出力電流
8. この6つのポートは5Vの急速充電ポートです
9. QC3.0急速充電ポート
10. PD18W急速充電ポート

1. 急速充電ステーション
2. 急速充電のヒント
3. 多機能LEDディスプレイ
4. 多機能動作しているインテリジェントランプ
5. 動作指示ランプ
6. 過電流警告
7. 出力電流
8. この6つのポートは5Vの急速充電ポートです
9. QC3.0急速充電ポート
10. PD18W急速充電ポート

1. Station de recharge rapide
2. Prompte de charge rapide
3. Chargeur multifonction
4. Moniteur le port correspondant qui fonctionne
5. Indicateur de fonctionnement
6. Affichage de la puissance de sortie
7. Courant de sortie
8. Ces six interfaces sont des interfaces de charge rapide de 5V
9. Interface de chargement rapide QC3.0
10. Interface de chargement rapide PD18W

**Note:** this product has the function of turning off the screen, if it is not affected by external movement or recharging, the screen will go out automatically after about 100 seconds, but when there is movement around or recharging, the screen will light up automatically. The product has a safety protection function, when the total power exceeds 100W, the power supply will stop working. When the total power exceeds 100W, the power supply will stop working. Thank you for your purchase.

**注意:** 本产品具有自动熄屏功能, 当不受外部动作影响或没有重新充电的情况下, 约过100秒左右屏幕会自动熄屏, 但周围有动作或重新充电时, 屏幕又会自动亮起, 所以产品具有安全保护的功能, 当总功率超过100W时, 电源会自动停止工作, 请正确使用。

# Manuale Prodotto

Molte grazie per aver acquistato il nostro caricatore smart USB. Si prega di leggere attentamente prima di utilizzare il prodotto. Il contenuto è questo manuale in un luogo sicuro per consultazione futura.

- Funzionalità Prodotto:**
1. PD 18W + QC3.0 18W + 4-porta USB con 6 porte di ricarica, che possono caricare 6 dispositivi contemporaneamente, la potenza totale è di 100W. Quando la potenza totale supera 100W, l'alimentazione si interrompe automaticamente dopo un minuto di carica del dispositivo.
  2. Lo schermo LCD si spegne automaticamente dopo un minuto di carica del dispositivo.
  3. Sensore induttivo incorporato, quando il caricatore riceve un segnale di vibrazione, lo schermo LCD si illumina.
  4. Lo schermo può visualizzare la corrente e la tensione per ciascuna porta in tempo reale.
  5. Sistema di protezione intelligente incorporato, quando la potenza totale supera 100W, l'alimentazione si interrompe automaticamente. Quando la potenza totale supera 100W, l'alimentazione si interrompe automaticamente. Grazie per aver acquistato il nostro caricatore smart USB.

- Parametri Prodotto:**
1. Colore: nero/gemina/bianco ceramica
  2. Input voltage: AC 100~240V, 50~60Hz
  3. Total output voltage: DC 5V/2A, 100W (Maximum)
  4. Power cord length: 1.2 m
  5. Wireless charging: 15W

- Garanzia:**
1. Tutti i prodotti della garanzia sono garantiti per un anno dalla data di vendita.
  2. Tutti i prodotti della garanzia sono garantiti per un anno dalla data di vendita.
  3. Malfunzionamenti causati dall'uso normale durante il periodo di garanzia possono essere presentati al servizio clienti.
  4. La garanzia non si applica se il motivo di danno al prodotto è uno dei seguenti:

- Precauzioni:**
1. Precauzioni e precauzioni dei prodotti dell'azienda;
  2. Fattori accidentali o danni provocati dall'uso;
  3. Danni provocati dall'uso, ingresso d'acqua, danno meccanico, danno smontaggio ecc.;
  4. Logoro estetico, deformazione e graffi;
  5. L'azienda ha il diritto di modificare o interpretare;
- Precautions:**
1. Il caricatore è da 100 W, può quindi caricare 6 telefoni cellulari da 1 A-2 A contemporaneamente. Fin tanto che la corrente totale non supera 100 W, può essere usato normalmente. Quando la corrente totale supera 2 A, il caricatore entrerà automaticamente in protezione di sovracorrente, l'indicatore lampeggerà e il caricatore smetterà di funzionare. Si prega di scollegare immediatamente il cavo dati dopo aver ricevuto il carico si può usare automaticamente dopo circa 5 minuti.
  2. Non smontare. Non conservare in ambiente ad alta temperatura superiore a 45 °C. Non bagnare e non applicare forze esterne e non fare cadere.
  3. Il caricatore genera una certa quantità di calore durante l'operazione, si prega di non usarlo in un ambiente chiuso o non ventilato.

# 产品使用说明书

非常感谢您购买我们的USB智能充电器, 使用本产品前请仔细阅读, 并请各本手册放在安全的地方, 以备将来参考。

产品型号: WLX-X9

- 产品功能:**
- 1) 6口PD18W+QC3.0快充共9个充电端口, 可以同时为9个总功率100W的设备充电, 总功率超过100W, 电源将停止工作。
  - 2) 显示屏可以显示每个端口实时电流和电压。
  - 3) 内置智能保护系统, 过压, 过热, 过流保护, 有效防止事故发生, 确保安全。

- 产品参数:**
1. 颜色: 橡胶黑、
  2. 输入电压: AC 100~240V, 50~60Hz
  3. 总输出功率: DC 5V/2A/100W (最大)
  4. 电源线长: 1.2米
  5. 无线充电: 15W

- 保修内容:**
1. 本公司对本公司生产的产品保修范围;
  2. 本公司所有产品自销售之日起保修一年;
  3. 保修期由产品状态使用发生的故障, 可按照本保修由本公司提出售后服务;
  4. 保修期由产品状态使用发生的故障, 可按照本保修由本公司提出售后服务;

- 注意事项:**
1. 充电器为100W, 可同时为9个1.2A手机充电, 每个充电器都有不同的电流, 只要总电流不超过100W, 即可正常工作。
  2. 当总电流超过100W时, 充电器将处于过流保护状态, 指示灯闪烁, (充电器将停止工作), 立即断开数据线以减少充电设备, 5分钟后自动复位, 重新插电即可恢复正常使用。
  3. 勿在高温, 勿将充电器置于火上, 不可受潮或放入水中。
  4. 请勿用力按压显示屏, 防止屏幕破裂。
  5. 请勿在高温, 勿将充电器置于火上, 不可受潮或放入水中。
  6. 充电器工作时会产生一定的热量, 不要在封闭和不通风的环境下使用。

# Produkt handbook

Vielen Dank, dass Sie sich für unser USB-Smart-Ladegerät entschieden haben. Bitte lesen Sie dies sorgfältig durch, bevor Sie dieses Gerät verwenden. Bewahren Sie dieses Produktmanuale WLX-X9

- Produktfunktionen:**
1. PD 18W + QC3.0 18W + 4-Stecker USB hat 6 Ladeports, die 6 Geräte gleichzeitig laden können. Die Gesamtleistung beträgt 100W. Die Gesamtleistung übersteigt 100W und die Stromversorgung wird automatisch nach 1 Minute des Aufladens des Geräts unterbrochen.
  2. Der LCD-Bildschirm erlischt automatisch nach 1 Minute des Aufladens des Geräts.
  3. Eingebauter induktiver Sensor, wenn das Ladegerät ein Vibrationsignal empfängt, leuchtet der LCD-Bildschirm auf.
  4. Das Display kann den Strom und die Spannung für jedes Stecker in Echtzeit anzeigen.
  5. Integriertes intelligentes Schutzsystem, Überspannung, Überhitzung, Überstromschutz, effektive Unfallverhütung, Stabilität und Sicherheit.

- Produktparameter:**
1. Farbe: Gummi schwarz/Keramik weiß
  2. Eingangsspannung: AC 100~240V, 50~60Hz
  3. Gesamtleistung: DC 5V/2A/100W (maximal)
  4. Länge des Netzkabels: 1,2 Meter
  5. Drahtlosladung: 15W

- Garantiebedingungen:**
1. Die Garantieumfang der von der Firma für die Firma hergestellten Produkte;
  2. Alle Produkte des Unternehmens sind für ein Jahr ab Verkaufdatum garantiert;
  3. Ausfälle, die durch die normale Gebrauchsgaranzzeit verursacht werden, können dem Unternehmen für den Kundenfall gemäß den Bedingungen dieser Garantie vorgelegt werden.
  4. Die Gründe für Produktschäden sind wie folgt, die das Unternehmen nicht vorgibt:

- Garantiebedingungen:**
1. das Schmieden und Kopieren der Produkte des Unternehmens;
  2. zufällige Faktoren oder von Menschen verursachte Schäden;
  3. Schäden durch mechanische Beschädigung, mechanische Schäden, Schäden, persönliche Demontage, etc.
  5. Die Gesellschaft behält sich das endgültige Dolmetschrecht vor.
- (3) Jedes Ladegerät hat einen anderen Strom, solange der Gesamtstrom nicht überschritten wird, 100W, kann es normal verwendet werden. Wenn der Gesamtstrom 20A überschreitet, wird das Ladegerät die folgenden Funktionen ausführen im Überstromschutzmodus, die LED-Anzeige blinkt, (das Ladegerät wird automatisch zurückgesetzt, nach dem Umstecken kann normal verwendet werden.
- (2) Nicht zuziehen, Nicht in einer Umgebung mit hohen Temperaturen oder in einem Feuer zu verwenden, nicht in einem geschlossenen und unbelüfteten Raum zu lassen.
- (4) Das Ladegerät erzeugt während des Betriebs eine bestimmte Menge an Wärme, daher sollten Sie es nicht verwenden, in einer geschlossenen und unbelüfteten Umgebung.

This device complies with Part 15 of the FCC Rules. Operation is subject to the following two conditions: (1) this device may not cause harmful interference, and (2) this device must accept any interference received, including interference that may cause undesired operation

NOTE: This equipment has been tested and found to comply with the limits for a Class B digital device, pursuant to Part 15 of the FCC Rules. These limits are designed to provide reasonable protection against harmful interference in a residential installation. This equipment generates, uses and can radiate radio frequency energy and, if not installed and used in accordance with the instructions, may cause harmful interference to radio communications. However, there is no guarantee that interference will not occur in a particular installation.

If this equipment does cause harmful interference to radio or television reception, which can be determined by turning the equipment off and on, the user is encouraged to try to correct the interference by one or more of the following measures:

- Reorient or relocate the receiving antenna.
- Increase the separation between the equipment and receiver.
- Connect the equipment into an outlet on a circuit different from that to which the receiver is connected.
- Consult the dealer or an experienced radio/TV technician for help.

Warning: changes or modifications not expressly approved by the party responsible for compliance could void the user's authority to operate the equipment

#### Radiation Exposure Statement

This equipment complies with FCC radiation exposure limits set forth for an uncontrolled environment.

This equipment should be installed and operated with minimum distance 20cm between the radiator and your body.