

Product Specifications sheet



Specification No.	202207015001
Effective date	2022/7/15

Customer Name:	安聚
Product Model	BS-W529线圈
DZ Part No.	TX-DZ43.505.300.65-K6.5-L6开双槽
Customer item No	Y103000206

【 New issue, version revision】

【 This specification includes contents and 7 pages in total 】 【 RoHS Compliant Parts 】

organize	Check	Approval
钟建立	/	马湘平

Dongguan Top Wiser Electronic Technology Co., Ltd

Factory address: 7th floor, east of building , xinbosheng Industrial Park,
No. 5, Xinyuan South Road, Tangxia Town, Dongguan City

Tel: 13147097490

【Within 30 days after the customer receives this acknowledgement, please return it with your signature and seal. If it is overdue, it will be deemed that the production will be carried out according to the standards of this acknowledgement】.

【customer approval】

Date:

Recognition status: full recognition conditional recognition refusal

Approval	Review	Recheck	Check

remark:

Product Specifications sheet

Customer Name:	安聚	Customer item No	Y103000206
DZ Part No.	TX-DZ43.505.300.65-K6.5-L6开双槽	Specification No.	202207015001

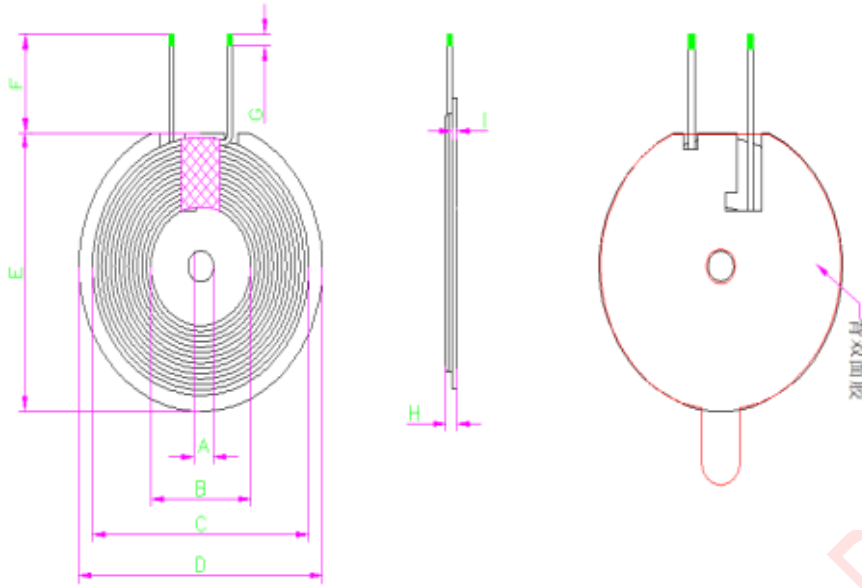
Issue/Revision History

Version	Effective date	Change content / reason	Approval
01	2022/7/15	New specification release	马湘平
organize		check	approval
钟建立		/	马湘平

Product Specifications sheet

Customer Name:	安聚anju	Customer item No	Y103000206		
DZ Part No	TX-DZ43.505.300.65-K6.5-L6开双槽	Specification No.	202207015001	Version	01

◆、Overall dimensions



(unit: mm)

A	5.3 ±1.5
B	20.5 ±1.5
C	39.0 ±1.5
D	43.5 ±1.0
E	42.8 ±1.0
F	6.0 ±2.0
G	3.0 ±1.0
H	1.6 ±0.3
I	0.65 ±0.2(thickness)

(1)Wire diameter: 0.08 * 48p enameled wire

(2)Number of windings: 10TS

(3)Whether the starting and ending lines cross: Yes

(4)Coil wrap 8mm wide high temperature tape

(5)The coil and magnetic sheet shall be pasted in the center

(6) The back of the magnetic piece is 43 round slotted white glue, and the front is stuck with a slotted black film

◆、Electrical characteristics::

parameter	specification	Test conditions	Test instrument
L0	6.5 ±10% μH	100KHz/1V	■TH1816B
Q	>40 min	100KHz/1V	■TH1816B
DCR	<95 mΩ	@ 25℃	■CH-502BC

◆、Temperature class:

Operating temperature	-40℃~ 125℃				
Peak gain	0dbi				

◆、list of materials:

Item	Product Name	Material specification	Supplier	Remark
1	Magnetic sheet	43.5*5.3*0.65T 开双槽		PC40 mengzinc
2	Copper wire	0.08*48P		Enameled wire
3	High temperature adhesive tape	8MM		Rosh tape
4	glue	D=43mm double sided tape		Rosh tape
5	black film	D=43mm black film		Rosh tape
6	tin	107H		ROSH tin
7	glue	黄胶yellow glue		ROSH glue

organize	check	approval
钟建立	/	马湘平