

Parts Approval Sheet

Supplier: NQI network

Parts Name: Bluetooth antenna in right ear

Type/Spec: NQI-P2-R-BT-FB-V3

Parts No: _____

Brand: NQI


Quantity: _____

Send out Date: 2022.08.25

Document No: NQI-RD-SPEC-20220813

Approve Date: _____

Version: V3

Supplier		Customer	
Approved By	Prepared By	Engineering Dept	Quality Dept
			

供应商地址：深圳市龙岗区平吉大道 66 号康利城 7 栋 103 号

List of specifications

Cell phone pictures	3
Electrical Specifications	3
Working/Storage temperature	3
Test equipment	4-5
Antenna structure drawing	6
Antenna matching network	7
Antenna electrical performance test data	7-9

One.Electrical Specifications

Frequency range	(2400-2500)MHz
impedance	50 ohm
VSWR	$2 \leq$
Gain	2.31dBi
Polarization	level
Radiation direction	omnibearing

Two.Working/Storage temperature

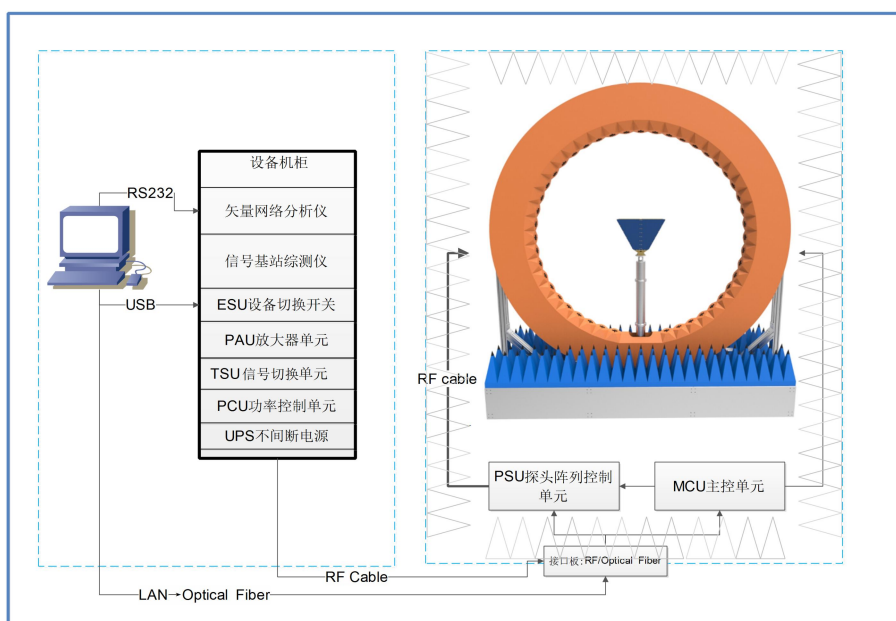
Working temperature	-30°C ~ 65°C
Storage temperature	-30°C ~ 75°C

Three. Test equipment

TEM RADIO 3D 32chamber



Chamber 连接:



5G 综测 SP9500



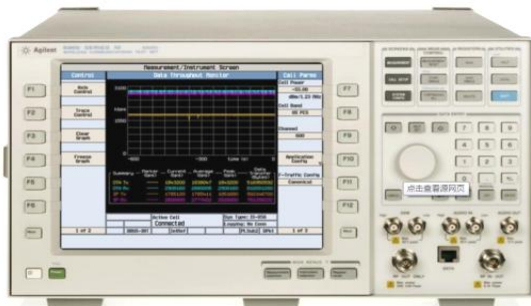
2G/3G/4G/NB/WIFI/BT 综测 CMW500



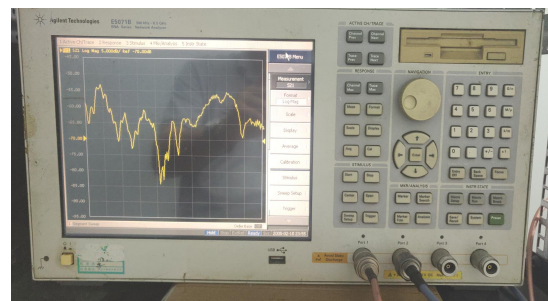
2G/3G/4G 综测仪 MT8820C



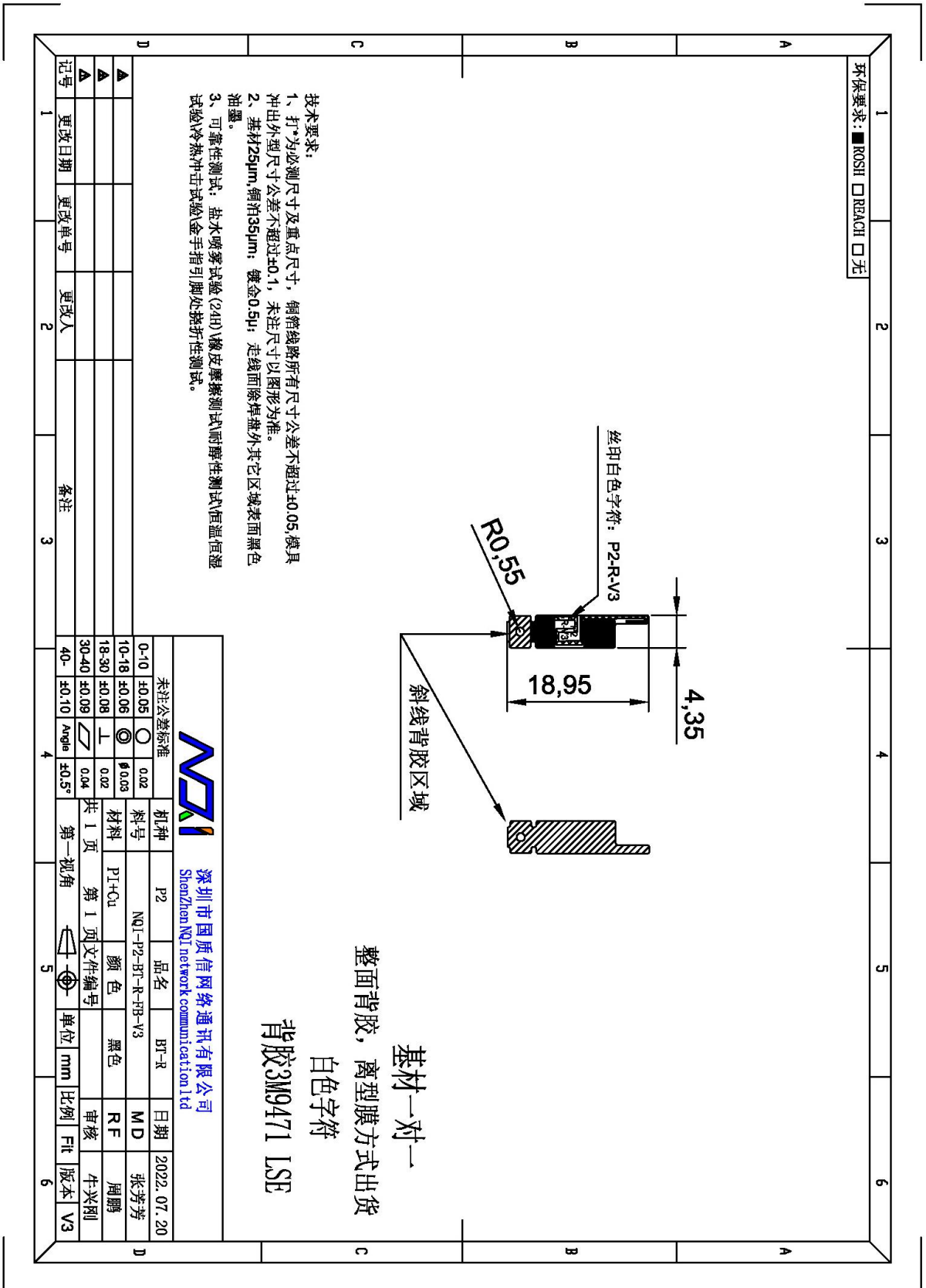
E5071B 8G 网络分析仪(4 端口)



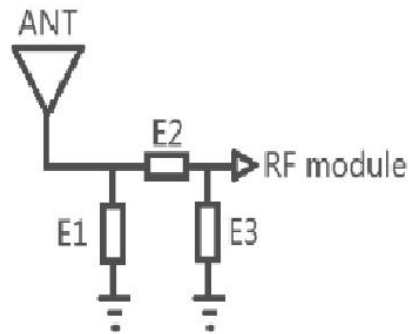
2G/3G 综测仪 8960



Four. Antenna structure drawing



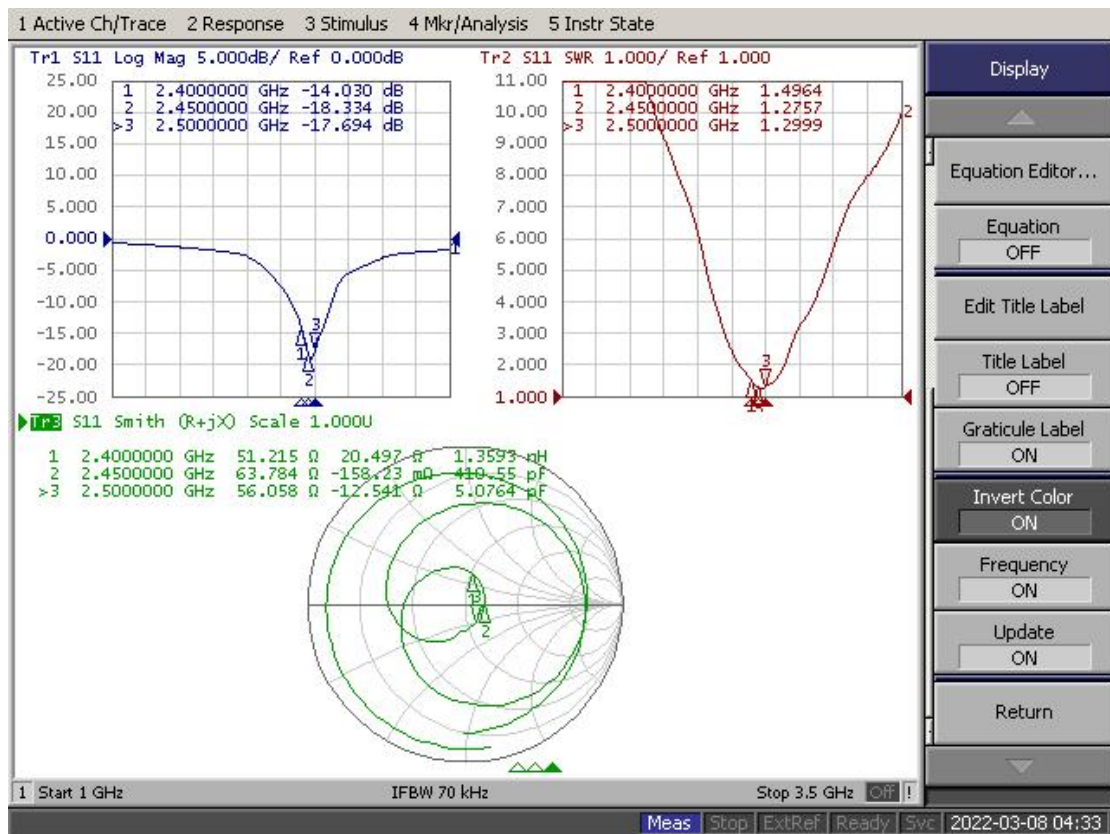
Five. Antenna matching network



Element	(Value)
E1(0201)	NF
E2(0201)	0 Ω
E3(0201)	NF

Six. Antenna electrical performance test data

6.1 RL/VSWR/Smith Chart

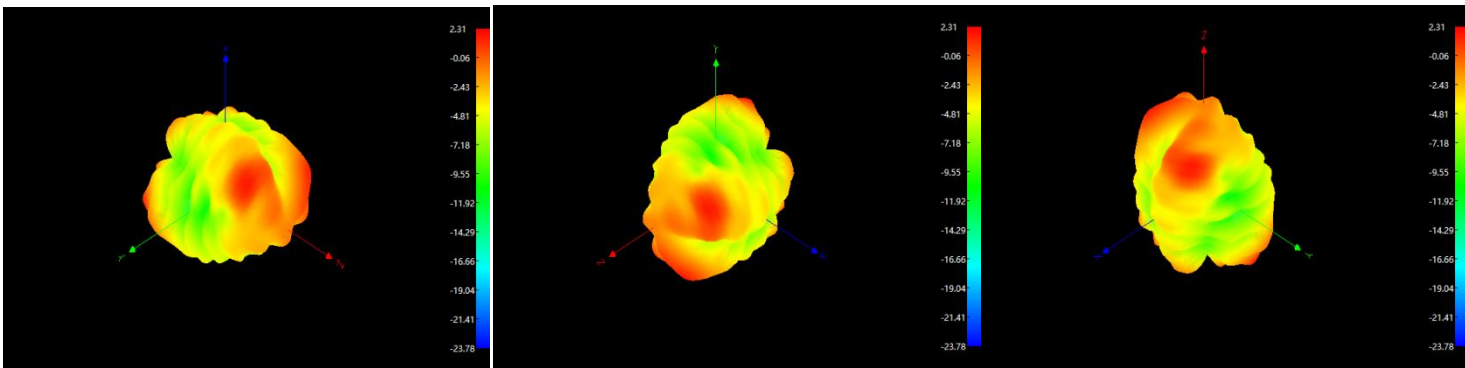


6.2 Efficiency & Gain

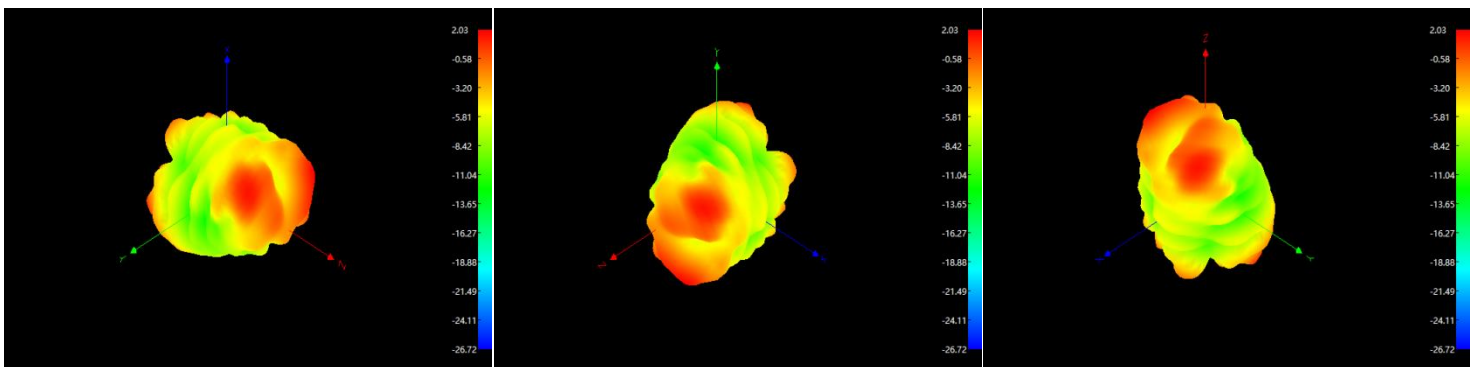
Freq (MHz)	Effi (%)	Gain (dBi)
2400	37.07	2.31
2450	35.32	2.03
2500	31.62	1.66

6.3 3D Radiation pattern

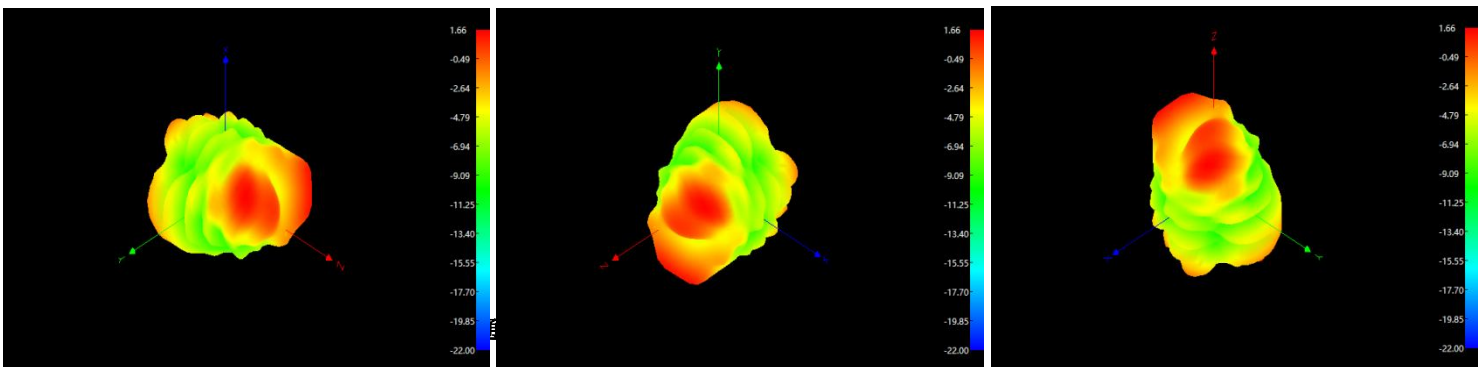
2400MHz



2450MHz



2500MHz



6.4 TRP&TIS

NQI ANT TRP&TIS parameter Summary of P2				
Free space	Test	Bluetooth TRP&TIS		
	Result	0	39	78
	TRP (dBm)	1.14	2.47	2.97
	TIS (dBm)	-87.4	-87.3	-88.63
NQI ANT TRP&TIS parameter Summary of P2				
Head and ear	Test	Bluetooth TRP&TIS		
	Result	0	39	78
	TRP (dBm)	-4.52	-3.87	-3.69
	TIS (dBm)	-81.46	-81.35	-82.21