

承认书

SPECIFICATION FOR APPROVAL

客户名称 (CUSTOMER) **Shenzhen Hasmine Technology Co., Ltd**

客户料号 (CUSTOMER P/N) :

品名 (DESCRIPTION): **mini苹果无线充线圈**
mini Apple Wireless DATE: 2022/5/20
charging coil

规格 (SPECIFICATION): **G43.5开槽磁吸线圈0.08*80 55长G43.5**
slotted magnetic coil 0.08*80 55 length/G43.5 slotted REV.NO.:A0
magnetic coil 0.08*80 55 length

鸿日昇威科技承认签核、盖章

Hongri Shengwei technology admitted to sign, seal

部门 department	确认/日期 Confirmation/Date	审核/日期 Confirmation/Date	批准/日期 Approval/Date	(盖公司公 章) Approval/Date
品质 Quality	董晚红		韦函满	
工程 ENGINEERING	何伟华	韦立红	韦立红	

备注:

好斯美科技承认签核、盖章

Shenzhen Hasmine Technology Co., Ltd admitted to sign, seal

部门 department	确认/日期 Confirmation/Date	审核/日期 Confirmation/Date	批准/日期 Approval/Date	(盖公司公 章) Approval/Date
开发工程 Development engineering				
采购purchase				
品质 Quality				

备注note :

深圳市鸿日昇威科技有限公司

HRSW ELECTRONICS CO.,LTD

ADD: 深圳市龙华新区观澜环观中路48号1栋2楼

Floor 2 , Building 8, Haomai High-tech park, Huating Road. Dalang street,

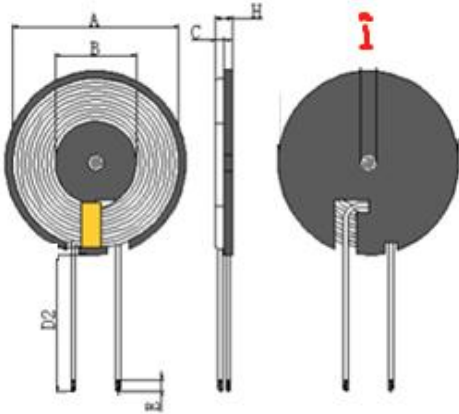
Longhua new district, Shenzhen, Guangdong

TEL: +86-15112254520 FAX: +86-0755-28015170

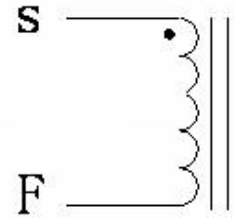
page:1/3

SPECIFICATION FOR APPROVAL

1. MECHANICAL DIMENSION (UNIT:mm)



2. SCHEMATICS:



1. Coil attached magnetic disc, magnetic disc size
43.5±0.5mm, the thickness is 0.65±0.25mm
Open L-cable slots.
2. Outlet wire heating tube;
3. Glue the bottom of the magnetic disc

A	B	C	D2	E	H	I			
43.5±0.5	20.5±0.5	0.65±0.03	55±3	3.5±2	2.0MAX	5.1±0.2			

3. WINDING:

STEP	START-FINISH	WIRE TYPE	TURNS	TAPE	REMARK
N1	S-F	Hot air wire Ø 0.08*80mm 2UEW	10TS (Ref)		

4. ELECTRICAL SPECIFICATION:

ITEM	L	DCR	L	Q值 Q value	HI-POT
TEST	Coil and diskette	S-F	Individual coil		
CON	100KHz, 0.25V	AT 25°C	100KHz, 0.25V		
SPEC	6.4uH±10%	90mΩ Max	4.0uH±10%		

5. BILF OF MATERIAL:

NO.	ITEM	MATERIAL SPECIFICATION	MANUFACTURER	SGS NO.
1	Hot air wire 0.08*80 strands80股	Hot air wire 0.08*80 strands	NANJINGJINNINGCO,LTD	
2	Lead-free tin strip	Lead-free tin strip	QIAODO	
3	magnetic sheet	Ø 43.5*0.65 manganese zinc hard disk with L slot	TAIYI CO.,LTD	
4	glue	Yellow gum 9999	LIANCHENG CO.,LTD	
5	high-temperature adhesive tape	8mm wide high temperature adhesive paper	CUDAK CO.,LTD	
6	gum	Ø 41.5*0.1	CUDAK CO.,LTD	

HRSW ELECTRONICS CO.,LTD	PART NO	
	TITLE	G43.5 slotted magnetic coil + adhesive backing
DRAWN BY	CHECKED BY	APPROVED BY
何伟华	韦立红	韦立红

SPECIFICATION FOR APPROVAL

6. SAMPLE TEST DATA									
6.1 DIMENSION TEST (UNIT: mm)									
TEST ITEM	A	B	C	D	E	H			
SPEC	43.5±0.3	20.5±0.5	0.65±0.03	55±3	3±2	2.0MAX			
1	43.5	20.5	0.65	56	4.90	1.86			
2	43.28	20.58	0.645	55.8	4.50	1.87			
3	43.4	20.52	0.653	54.1	4.60	1.92			
4	43.38	20.6	0.648	52	3.90	1.94			
5	43.6	20.58	0.642	53.9	4.00	1.89			
6									
7									
8									
9									
10									
MAX	43.60	20.60	0.65	56.00	4.90	1.94			
MIN	43.28	20.50	0.64	52.00	3.90	1.86			
AVERAGE	43.43	20.56	0.65	54.36	4.38	1.90			
6.2 ELECTRICAL TEST									
TEST ITEM	L		DCR	IDC		Q	HI-POT		
	S-F		S-F			S-F			
TEST COND	100KHz/0.25v		AT 25°C						
SPEC	6.4uH ±10%		60mΩ (Max)			88 (Max)			
1	6.54		51			80.00			
2	6.45		51.2			80.40			
3	6.48		53			83.00			
4	6.41		49			78.00			
5	6.50		49.6			79.50			
6									
7									
8									
9									
10									
MAX	6.54		53.00			83.0			
MIN	6.41		49.60			78.0			
AVERAGE	6.48		51.50			80.1			
HRSW ELECTRONICS CO., LTD					PART NO		G43.5开槽磁吸线圈0.08*80 G43.5 slotted magnetic coil 0.08*80		
					TITLE				
DRAWN BY			CHECKED BY			APPROVED BY			
何伟华			韦立红			韦立红			