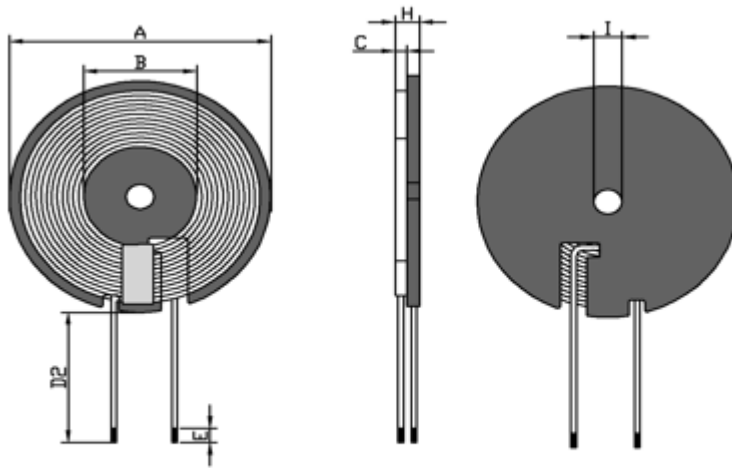


I.MECHANICAL DIMENSION (UNIT:mm)



A	B	C	D2	E	H
43.5±0.05	20.5±0.5	0.65±0.02	68±3	3±2	2.1MAX