

SPECIFICATION FOR APPROVAL

CUSTOMER:

959#

ROHS

CUSTOMER P/N:

TITLE: SMD INDUCTANCE

DATE: 2023-8-23

HAORAN MODLE : COIL G43.5 /0.08*80 51mm

REV. NO. : A0

PLEASE RETURN TO US COPY OF "SPECIFICATION FOR APPROVAL "WITH YOUR APPROVED

APPROVED <input type="checkbox"/>	REJECTED <input type="checkbox"/>	“ ✓ ”
CUSTOMER'S SIGNATURE <hr/>		

REV	DATE	CHANGED CONTENTENTS &CHANGED REASONS	DRAWN	CHECKED	APPROVED
A0	2023/8/23	NEW RELEASE	XieYang	WelLiHong	HeDongYun

HONGRESHENGWU ELECTRONICS CO.,LTD

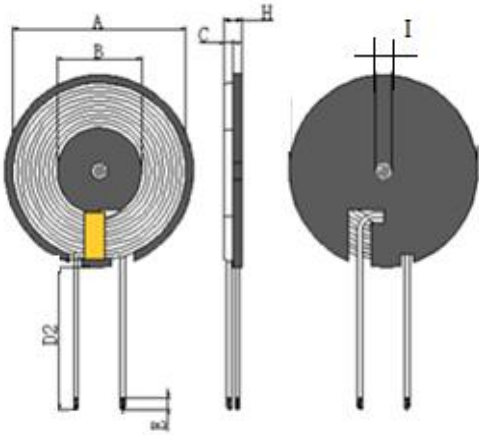
ADD: SHONG YUAN LNDUSTRIAL DISTRICT,、 GUAN LAN TOWN

SHEN ZHEN CITY,GUANGDONG,CHINA.

SPECIFICATION FOR APPROVAL

1.MECHANICAL DIMENSION (UNIT:mm)

2. SCHEMATICS:



A	B	C	D2	E	H	I			
43.5±0.5	20.5±0.5	0.65±0.05	51±3	4±2	2.1MAX	5.0±0.2			

3.WINDING:

STEP	START-FINISH	WIRE TYPE	TURNS	TAPE	REMARK
N1	S-F	∅ 0.08*80mm 2UEW 2UEW-F	10TS (Ref)		

4. ELECTRICAL SPECIFICATION:

ITEM	L	DCR	IDC	HI-POT
TEST	S-F	S-F	S-F	
CON	100KHz, 0.25V	AT 25°C	100KHz, 0.25V AT 25°C	
SPEC	6.4uH±10%	90mΩ Max	2.8A Inductance drop: ±30%at Isat	

5.BILF OF MATERIAL:

NO.	ITEM	MATERIAL SPECIFICATION	MANUFACTURER	SGS NO.
1	CORE	∅ 43.5*0.65L	LIXINGCO,LTD	
2	WIRE	∅ 0.08*80mm 2UEW-F	TAIYI CO.,LTD	
3	STICKER	41.5*0.1	LIANCHENG CO.,LTD	
4	EPOXY	9999	CUDAK CO.,LTD	

HONGRESHWNGWU ELECTRONICS CO.,LTD		PART NO	
		TITLE	COiL G43.5 /0.08*80 51mm
DRAWN BY		CHECKED BY	APPROVED BY
XieYang		WelliHong	HeDongYun

SPECIFICATION FOR APPROVAL

6. SAMPLE TEST DATA

6.1 DIMENSION TEST (UNIT: mm)

TEST ITEM	A	B	C	D	E	H			
SPEC	43.5±0.5	20.5±0.5	0.65±0.05	51±3	4±2	2.1MAX	5.0±0.2		
1	43.52	20.51	0.65	51.00	4.00	1.92	5.01		
2	43.51	20.49	0.64	49.80	3.50	1.98	5.03		
3	43.49	20.50	0.62	51.02	4.20	1.97	4.98		
4	43.38	20.53	0.65	51.60	3.80	1.96	4.96		
5									
6									
7									
8									
9									
10									
MAX	43.52	20.53	0.65	51.60	4.20	1.98	5.03		
MIN	43.38	20.49	0.62	49.80	3.50	1.92	4.96		
AVERAGE	43.48	20.51	0.64	50.86	3.88	1.96	5.00		

6.2 ELECTRICAL TEST

TEST ITEM	L		DCR	IDC		Q	HI-POT		
	S-F		S-F						
TEST COND	100KHz/0.25v		AT 25°C						
SPEC	6.4uH±10%		90mΩ Max						
1	6.42		70.00						
2	6.58		69.00						
3	6.57		70.20						
4	6.49		70.60						
5	6.65		70.24						
6									
7									
8									
9									
10									
MAX	6.65		70.60						
MIN	6.42		69.00						
AVERAGE	6.54		70.01						

HONGRESHWNGWU ELECTRONICS CO., LTD				PART NO						
				TITLE		COiL G43.5 /0.08*80 51mm				
DRAWN BY			CHECKED BY				APPROVED BY			
XieYang			WeiLiHong				HeDongYun			