

SPECIFICATION FOR APPROVAL

CUSTOMER:

959#

ROHS

CUSTOMER P/N:

TITLE: SMD INDUCTANCE

DATE: 2023-8-23

HAORAN MODLE : COIL G43.5 /0.08*80 51mm

REV. NO. : A0

PLEASE RETURN TO US COPY OF "SPECIFICATION FOR APPROVAL "WITH YOUR APPROVED

| | | |
|-----------------------------------|-----------------------------------|-------|
| APPROVED <input type="checkbox"/> | REJECTED <input type="checkbox"/> | “ ✓ ” |
| CUSTOMER'S SIGNATURE <hr/> | | |

| REV | DATE | CHANGED CONTENTENTS &CHANGED REASONS | DRAWN | CHECKED | APPROVED |
|-----|-----------|---|---------|-----------|-----------|
| A0 | 2023/8/23 | NEW RELEASE | XieYang | WelLiHong | HeDongYun |
| | | | | | |
| | | | | | |
| | | | | | |
| | | | | | |

HONGRESHENGWU ELECTRONICS CO.,LTD

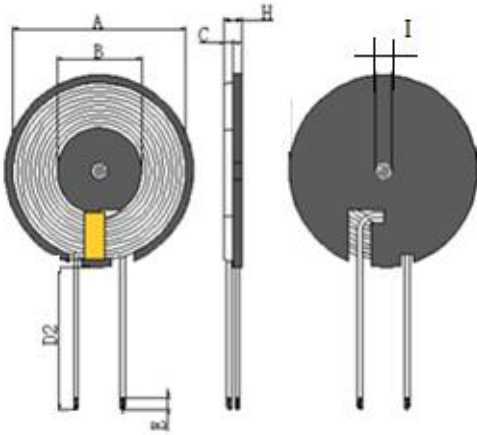
ADD: SHONG YUAN LNDUSTRIAL DISTRICT,、 GUAN LAN TOWN

SHEN ZHEN CITY,GUANGDONG,CHINA.

SPECIFICATION FOR APPROVAL

1.MECHANICAL DIMENSION (UNIT:mm)

2. SCHEMATICS:



| | | | | | | | | | |
|----------|----------|-----------|------|-----|--------|---------|--|--|--|
| A | B | C | D2 | E | H | I | | | |
| 43.5±0.5 | 20.5±0.5 | 0.65±0.05 | 51±3 | 4±2 | 2.1MAX | 5.0±0.2 | | | |

3.WINDING:

| STEP | START-FINISH | WIRE TYPE | TURNS | TAPE | REMARK |
|------|--------------|-------------------------|------------|------|--------|
| N1 | S-F | ∅ 0.08*80mm 2UEW 2UEW-F | 10TS (Ref) | | |
| | | | | | |
| | | | | | |

4. ELECTRICAL SPECIFICATION:

| ITEM | L | DCR | IDC | HI-POT |
|------|---------------|----------|--------------------------------------|--------|
| TEST | S-F | S-F | S-F | |
| CON | 100KHz, 0.25V | AT 25°C | 100KHz, 0.25V AT 25°C | |
| SPEC | 6.4uH±10% | 90mΩ Max | 2.8A Inductance drop: ±30%at Isat | |

5.BILF OF MATERIAL:

| NO. | ITEM | MATERIAL SPECIFICATION | MANUFACTURER | SGS NO. |
|-----|---------|------------------------|-------------------|---------|
| 1 | CORE | ∅ 43.5*0.65L | LIXINGCO,LTD | |
| 2 | WIRE | ∅ 0.08*80mm 2UEW-F | TAIYI CO.,LTD | |
| 3 | STICKER | 41.5*0.1 | LIANCHENG CO.,LTD | |
| 4 | EPOXY | 9999 | CUDAK CO.,LTD | |

| | | | |
|-----------------------------------|--|------------|--------------------------|
| HONGRESHWNGWU ELECTRONICS CO.,LTD | | PART NO | |
| | | TITLE | COil G43.5 /0.08*80 51mm |
| DRAWN BY | | CHECKED BY | APPROVED BY |
| XieYang | | WelliHong | HeDongYun |

SPECIFICATION FOR APPROVAL

6. SAMPLE TEST DATA

6.1 DIMENSION TEST (UNIT: mm)

| TEST ITEM | A | B | C | D | E | H | | | |
|-----------|----------|----------|-----------|-------|------|--------|---------|--|--|
| SPEC | 43.5±0.5 | 20.5±0.5 | 0.65±0.05 | 51±3 | 4±2 | 2.1MAX | 5.0±0.2 | | |
| 1 | 43.52 | 20.51 | 0.65 | 51.00 | 4.00 | 1.92 | 5.01 | | |
| 2 | 43.51 | 20.49 | 0.64 | 49.80 | 3.50 | 1.98 | 5.03 | | |
| 3 | 43.49 | 20.50 | 0.62 | 51.02 | 4.20 | 1.97 | 4.98 | | |
| 4 | 43.38 | 20.53 | 0.65 | 51.60 | 3.80 | 1.96 | 4.96 | | |
| 5 | | | | | | | | | |
| 6 | | | | | | | | | |
| 7 | | | | | | | | | |
| 8 | | | | | | | | | |
| 9 | | | | | | | | | |
| 10 | | | | | | | | | |
| MAX | 43.52 | 20.53 | 0.65 | 51.60 | 4.20 | 1.98 | 5.03 | | |
| MIN | 43.38 | 20.49 | 0.62 | 49.80 | 3.50 | 1.92 | 4.96 | | |
| AVERAGE | 43.48 | 20.51 | 0.64 | 50.86 | 3.88 | 1.96 | 5.00 | | |

6.2 ELECTRICAL TEST

| TEST ITEM | L | | DCR | IDC | | Q | HI-POT | | |
|-----------|--------------|--|----------|-----|--|---|--------|--|--|
| | S-F | | S-F | | | | | | |
| TEST COND | 100KHz/0.25v | | AT 25°C | | | | | | |
| SPEC | 6.4uH±10% | | 90mΩ Max | | | | | | |
| 1 | 6.42 | | 70.00 | | | | | | |
| 2 | 6.58 | | 69.00 | | | | | | |
| 3 | 6.57 | | 70.20 | | | | | | |
| 4 | 6.49 | | 70.60 | | | | | | |
| 5 | 6.65 | | 70.24 | | | | | | |
| 6 | | | | | | | | | |
| 7 | | | | | | | | | |
| 8 | | | | | | | | | |
| 9 | | | | | | | | | |
| 10 | | | | | | | | | |
| MAX | 6.65 | | 70.60 | | | | | | |
| MIN | 6.42 | | 69.00 | | | | | | |
| AVERAGE | 6.54 | | 70.01 | | | | | | |

HONGRESHWNGWU ELECTRONICS CO., LTD

PART NO

TITLE

COiL G43.5 /0.08*80 51mm

DRAWN BY

CHECKED BY

APPROVED BY

XieYang

WeiLiHong

HeDongYun