

# 承认书

SPECIFICATION FOR APPROVAL


客户名称 (CUSTOMER) 好斯美科技有限公司

客户料号 (CUSTOMER P/N) :

品名 (DESCRIPTION): mini苹果线圈 DATE:2022/5/20

规格 (SPECIFICATION): G43.5开槽磁吸线圈0.08\*80 55长 REV.NO.:A0

## 鸿日昇威科技承认签核、盖章

部门	确认/日期	审核/日期	批准/日期	(盖公司公章)
品质	董晚红		韦函满	
工程	何伟华	韦立红	韦立红	

备注:

## 好斯美科技承认签核、盖章

部门	确认/日期	审核/日期	批准/日期	(盖公司公章)
开发工程师				
采购				
品质				

备注:

深圳市鸿日昇威科技有限公司

HRSW ELECTRONICS CO.,LTD

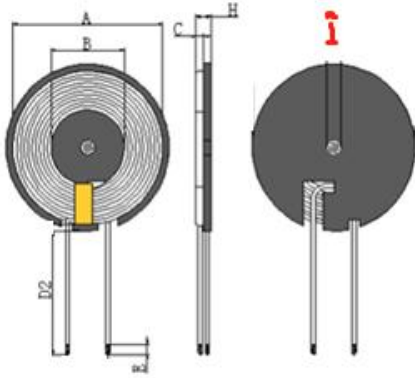
ADD: 深圳市龙华新区观澜环观中路48号1栋2楼

TEL: +86-15112254520 FAX: +86-0755-28015170

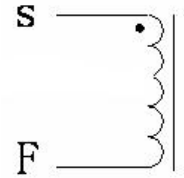
page:1/3

# SPECIFICATION FOR APPROVAL

## 1. MECHANICAL DIMENSION (UNIT:mm)



## 2. SCHEMATICS:



1. 线圈贴磁片，磁片尺寸 $43.5 \pm 0.5\text{mm}$ ，厚度为 $0.65 \pm 0.25\text{mm}$  开L线槽。

1. Coil attached magnetic plate, magnetic plate size $43.5 \pm 0.5\text{mm}$ , the thickness is  $0.65 \pm 0.25\text{mm}$  Open L-line slots.

2. 出线加热缩套管/Outlet heating shrinkable sleeve;;

3. 磁片底部贴背胶/Glue is attached to the bottom of the magnetic sheet

A	B	C	D2	E	H	I			
$43.5 \pm 0.5$	$20.5 \pm 0.5$	$0.65 \pm 0.03$	$55 \pm 3$	$3.5 \pm 2$	2.0MAX	$5.1 \pm 0.2$			

## 3. WINDING:

STEP	START-FINISH	WIRE TYPE	TURNS	TAPE	REMARK
N1	S-F	热风线 $\varnothing 0.08 \times 80\text{mm}$ 2UEW	10TS (Ref)		

## 4. ELECTRICAL SPECIFICATION:

ITEM	L	DCR	L	Q值	HI-POT
TEST CON D	线圈加磁片 Coil plus magnetic plate	S-F	单独线圈 Individual coil		
	100KHz, 0.25V	AT 25°C	100KHz, 0.25V		
SPEC	$6.4\mu\text{H} \pm 10\%$	$90\text{m}\Omega$ Max	$4.0\mu\text{H} \pm 10\%$		

## 5. BILF OF MATERIAL:

NO.	ITEM	MATERIAL SPECIFICATION	MANUFACTURER	SGS NO.
1	热风线 $0.08 \times 80$ 股 Hot air wire $0.08 \times 80$ strands	热风线/Hot air wire $0.08 \times 80$ 股/thigh Hot air wire $0.08 \times 80$ strands	NANJINGJINNINGCO,LTD	
2	无铅锡条 ECO SOLDER BAR	无铅锡条 ECO SOLDER BAR	QIAODO	
3	磁片 magnetic sheet	$\varnothing 43.5 \times 0.65$ 锰锌硬磁片开L槽/Manganese zinc hard disk with L slot $\varnothing 43.5 * 0.65$ manganese zinc hard disk drive L slots	TAIYI CO.,LTD	
4	胶水/glue	黄胶/Yellow gum9999/Yellow gum 9999	LIANCHENG CO.,LTD	
5	高温胶纸/high-temperature adhesive tape	8mm宽高温胶纸 8mm wide high temperature adhesive paper	CUDAK CO.,LTD	
6	背胶/gum	$\varnothing 41.5 \times 0.1$	CUDAK CO.,LTD	

HRSW ELECTRONICS CO.,LTD		PART NO	
		TITLE	G43.5 slotted magnetic coil + adhesive backing
DRAWN BY	CHECKED BY		APPROVED BY
何伟华	韦立红		韦立红

# SPECIFICATION FOR APPROVAL

6. SAMPLE TEST DATA									
6.1 DIMENSION TEST (UNIT: mm)									
TEST ITEM	A	B	C	D	E	H			
SPEC	43.5±0.3	20.5±0.5	0.65±0.03	5.5±3	3±2	2.0MAX			
1	43.5	20.5	0.65	56	4.90	1.86			
2	43.28	20.58	0.645	55.8	4.50	1.87			
3	43.4	20.52	0.653	54.1	4.60	1.92			
4	43.38	20.6	0.648	52	3.90	1.94			
5	43.6	20.58	0.642	53.9	4.00	1.89			
6									
7									
8									
9									
10									
MAX	43.60	20.60	0.65	56.00	4.90	1.94			
MIN	43.28	20.50	0.64	52.00	3.90	1.86			
AVERAGE	43.43	20.56	0.65	54.36	4.38	1.90			
6.2 ELECTRICAL TEST									
TEST ITEM	L		DCR	IDC		Q	HI-POT		
	S-F		S-F			S-F			
TEST COND	100KHz/0.25v		AT 25°C						
SPEC	6.4uH ±10%		60mΩ (Max)			88 (Max)			
1	6.54		51			80.00			
2	6.45		51.2			80.40			
3	6.48		53			83.00			
4	6.41		49			78.00			
5	6.50		49.6			79.50			
6									
7									
8									
9									
10									
MAX	6.54		53.00			83.0			
MIN	6.41		49.60			78.0			
AVERAGE	6.48		51.50			80.1			
HRSW ELECTRONICS CO., LTD					PART NO				
					TITLE		G43.5开槽磁吸线圈0.08*80		
DRAWN BY			CHECKED BY			APPROVED BY			
何伟华			韦立红			韦立红			