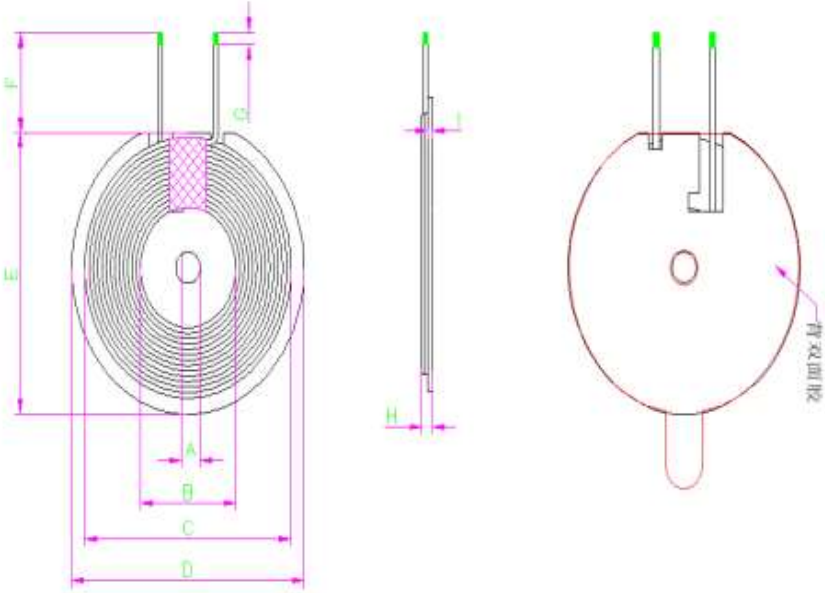


# Product Specifications sheet

<b>Customer Name:</b>	Huizhou Tongyinhai precision Electronic CO.,ltd		42.13.44.27460		
<b>address</b>	27 Xingwang Street, Huicheng District, Huizhou City, Guangdong Province				
<b>DZ Part No</b>	W06		#REF!	Version	01

### ◆ Overall dimensions



(unit: mm)

<b>A</b>	<b>5.3 ±0.5</b>
<b>B</b>	<b>20.0 ±1.0</b>
<b>C</b>	<b>39.0 ±1.5</b>
<b>D</b>	<b>43.8 ±1.0</b>
<b>E</b>	<b>43.0 ±1.0</b>
<b>F</b>	<b>60.0 ±2.0</b>
<b>G</b>	<b>3.0 ±2.0</b>
<b>H</b>	<b>0.65 ±0.3</b>
<b>I</b>	<b>1.90 ±0.2</b>

- (1)Wire diameter: 0.08 \* 24\*2p Silk covered wire
- (2)Number of windings: 10TS
- (3)Whether the starting and ending lines cross: Yes
- (4)Coil wrap 6mm wide high temperature tape
- (5)The coil and magnetic sheet shall be pasted in the center
- (6) Magnetic disc back 43 round slot 3M glue

### ◆ Electrical characteristics::

parameter	specification	Test conditions	Test instrument
L0	6.5 ±10% μH	100KHz/1V	■TH1816B
Q	>20 min	100KHz/1V	■TH1816B
DCR	<95 mΩ	@ 25℃	■CH-502BC

### ◆ Temperature class:

Operating temperature	-40℃~ 125℃
peak Gain:	0dbi

### ◆ list of materials:

Item	Product Name	Material specification	Supplier	Remark
1	Magnetic sheet	43.5*5.3*0.65T Double slots		PC40 mengzinc
2	Copper wire	0.08*24*2P		Propane copper covered wire
3	high temperature tape	8MM		Rosh tape
4	glue	D=43round slot 3M glue		Rosh tape
5	tin	107H		ROSH tin
6	glue	Yellow glueyellow glue		ROSH glue

<b>organize</b>	<b>check</b>	<b>approval</b>
	/	