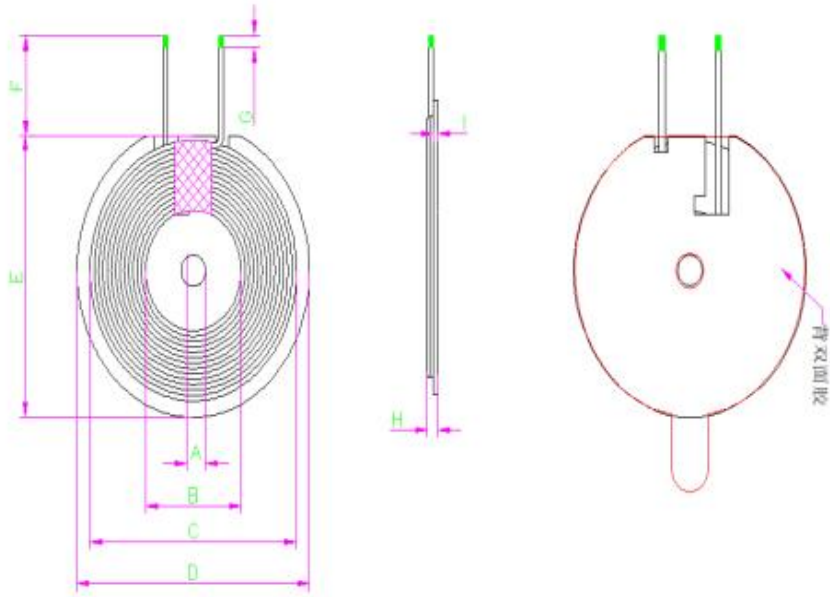


Product Specifications sheet

Customer Name:	Huizhou Tongyinhai precision Electronic CO.,ltd		42.13.44.27460	
DZ Part No	W06		#REF!	Version 01

◆ Overall dimensions



(unit: mm)

A	5.3 ±0.5
B	20.0 ±1.0
C	39.0 ±1.5
D	43.8 ±1.0
E	43.0 ±1.0
F	60.0 ±2.0
G	3.0 ±2.0
H	0.65 ±0.3
I	1.90 ±0.2

- (1)Wire diameter: 0.08 * 24*2p Silk covered wire
- (2)Number of windings: 10TS
- (3)Whether the starting and ending lines cross: Yes
- (4)Coil wrap 6mm wide high temperature tape
- (5)The coil and magnetic sheet shall be pasted in the center
- (6) Magnetic disc back 43 round slot 3M glue

◆ Electrical characteristics::

parameter	specification	Test conditions	Test instrument
L0	6.5 ±10% μH	100KHz/1V	■TH1816B
Q	>20 min	100KHz/1V	■TH1816B
DCR	<95 mΩ	@ 25°C	■CH-502BC

◆ Temperature class:

Operating temperature	-40°C ~ 125°C
-----------------------	---------------

peak Gain:	0dbi
------------	------

◆ list of materials:

Item	Product Name	Material specification	Supplier	Remark
1	Magnetic sheet	43.5*5.3*0.65T Double slots		PC40 mengzinc
2	Copper wire	0.08*24*2P		Propane copper covered wire
3	High temperature	8MM		Rosh tape
4	glue	D=43round slot 3M glue		Rosh tape
5	tin	107H		ROSH tin
6	glue	Yellow glueyellow glue		ROSH glue

organize	check	approval
	/	