

manufacturer: Dongguan Huaxing Express Electronics Co.,LTD

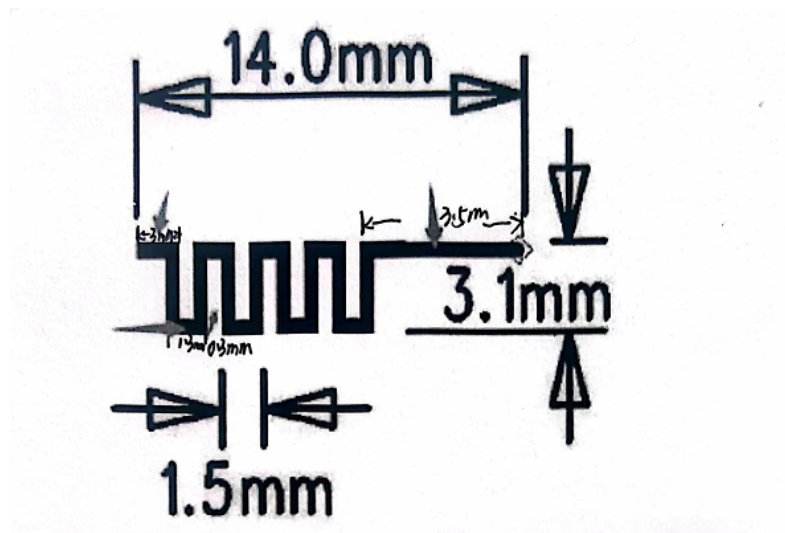
address:No.5,Liangzhou Sanheng Road,Daojiao Town,Dongguan City,Guangdong Province

Specifications
Summary

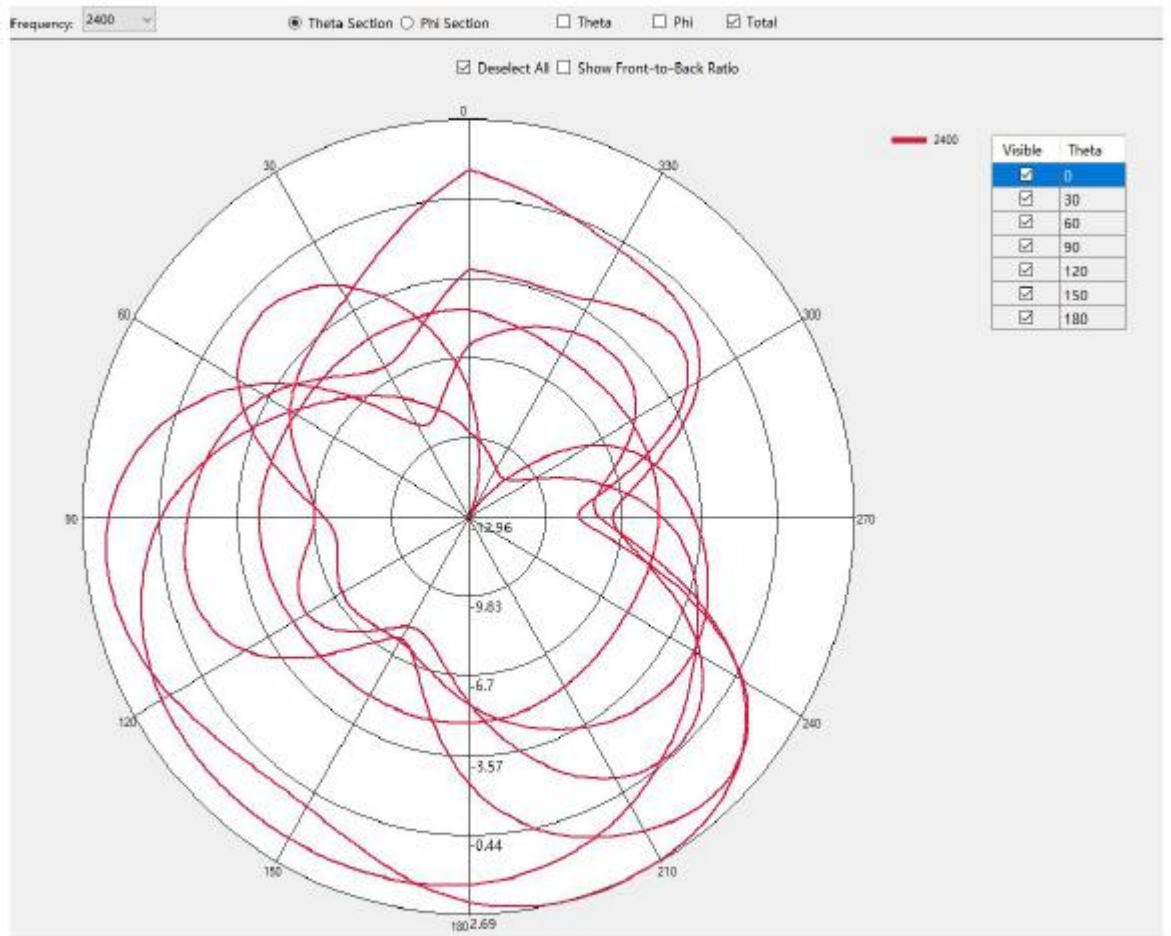
Antenna Specification

ITEM	SPEC.	
Antenna Type	PCB Antenna	
Center Frequency	2402 MHz	2.34 dBi
	2441 MHz	2.27dBi
	2480 MHz	2.0 dBi
MAX. GAIN	2.34 dBi	
Polarization	Horizontal	
Azimuth Beam Pattern	Omni-directional	
Impedance	50 Ω	
Antenna Length	3.1cm	

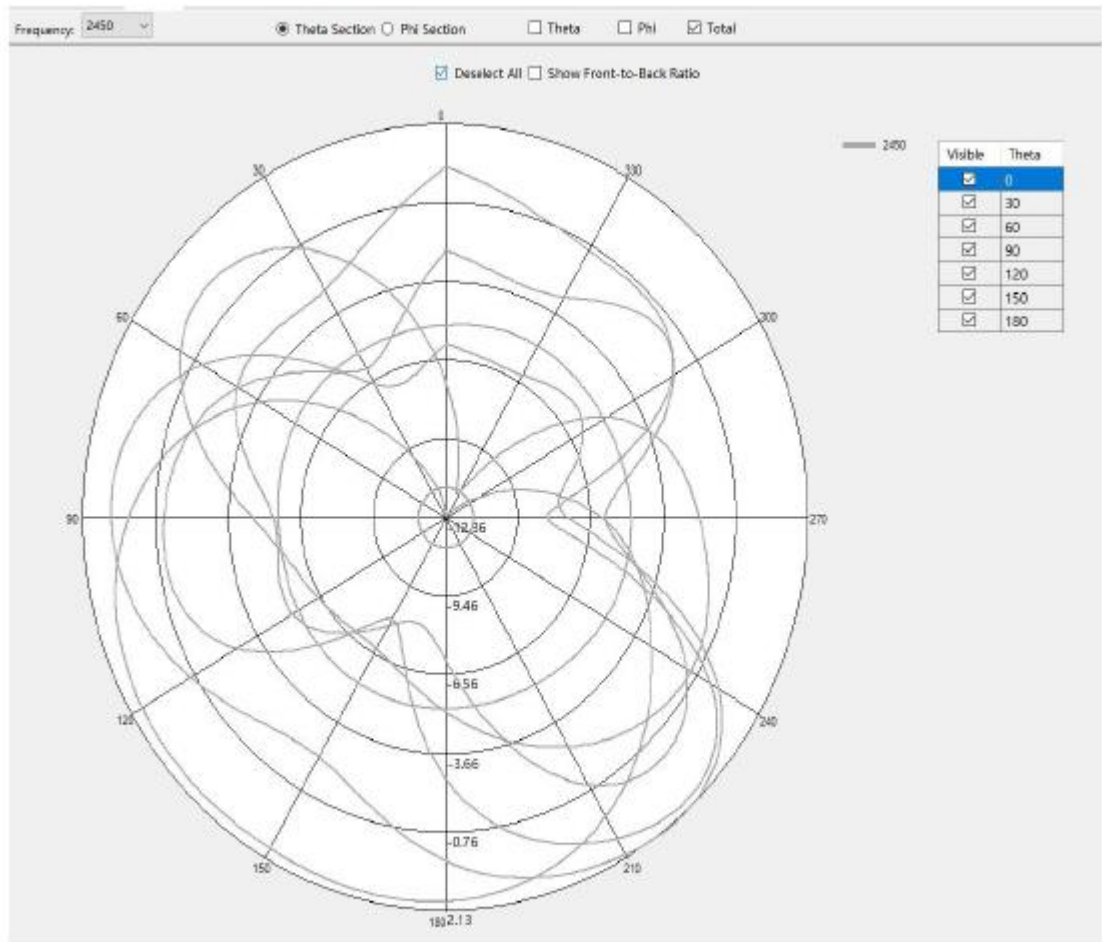
Antenna Photo & Length (mm)



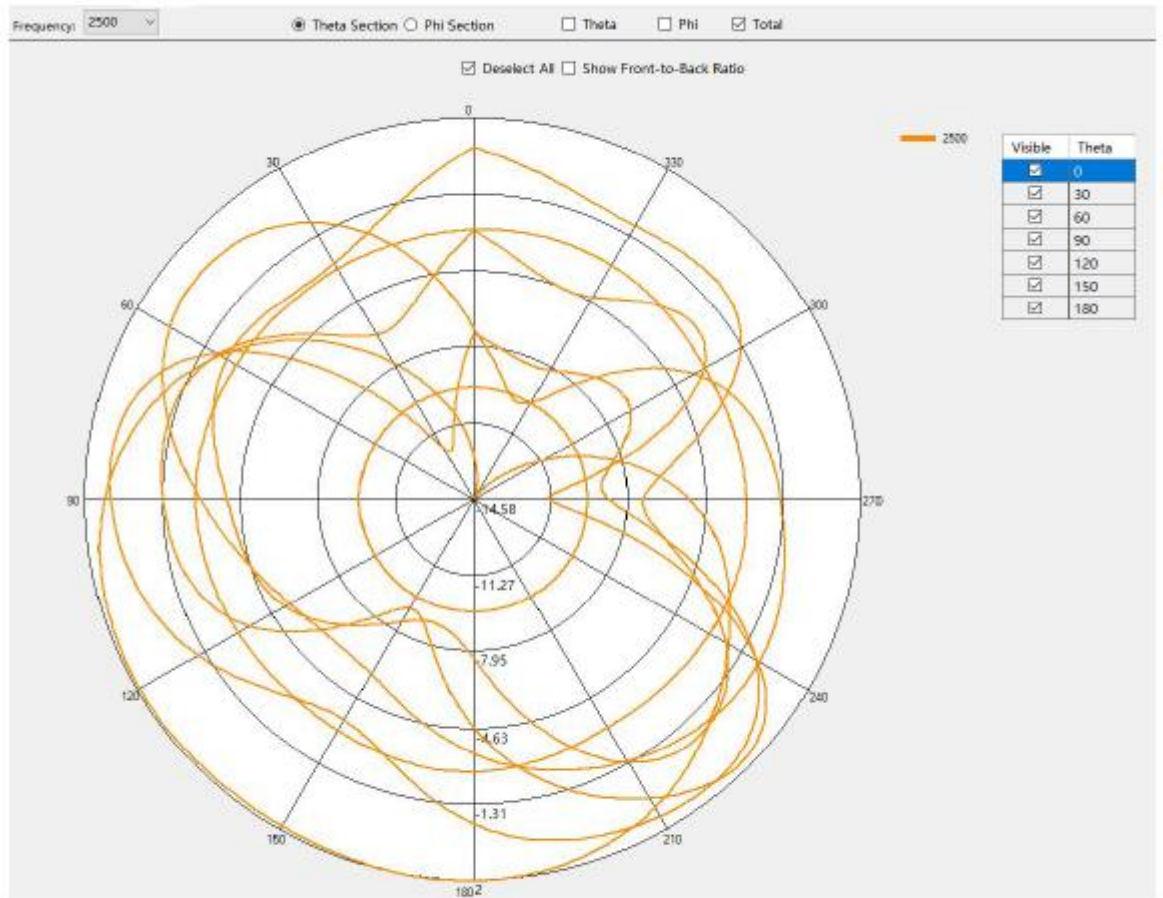
Test Address	16 Tzu Chiang Road, Hsinchu Industrial District Hsinchu Hsien 303, Taiwan
Test Date	2009-04-14
Test Instrument	vector network analyzer - R&S ZVB20



2400MHz



2450MHz



2500MHz

Freq	Gain	Efficiency
2400	2.34	57.51
2410	2.20	56.32
2420	2.13	55.62
2430	2.10	55.48
2440	2.27	57.13
2450	1.98	57.86
2460	1.92	57.29
2470	1.91	57.40
2480	1.94	57.10
2490	2.09	56.49
2500	2.00	55.26