

Product Specifications

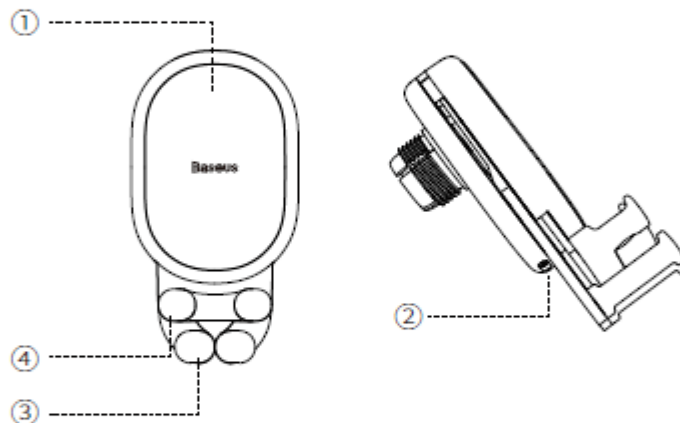
Model No.: BS-CM014

Input: 5V=2A, 9V=2A, 12V=1.67A

Wireless Charging Output: 5W/7.5W/10W/15W

Product Introduction

- ① Built-in wireless charging coil
- ② Type-C port
- ③ Clamp arms
- ④ Adjustable bracket



Cautions

1. Please use 5V=2A, 9V=2A, 12V=1.67A adapters for this product.
2. There must not be any metal objects between the wireless charging area and the phone, for it won't be working.
3. The working temperature of the product is between 0°C and 25°C, otherwise it may affect the charging efficiency.
4. Please install the product onto the air vent gently to avoid damage.
5. After long-time use, there might be loosening, please reinforce the mount if this happens.
6. The coupling distance for wireless charging is 6mm, so if the phone case is too thick, it may affect the wireless charging efficiency.

FCC Statement

Changes or modifications not expressly approved by the party responsible for compliance could void the user's authority to operate the equipment.

This equipment has been tested and found to comply with the limits for a Class B digital device, pursuant to Part 15 of the FCC Rules. These limits are designed to provide reasonable protection against harmful interference in a residential installation. This equipment generates uses and can radiate radio frequency energy and, if not installed and used in accordance with the instructions, may cause harmful interference to radio communications. However, there is no guarantee that interference will not occur in a particular installation. If this equipment does cause harmful interference to radio or television reception, which can be determined by turning the equipment off and on, the user is encouraged to try to correct the interference by one or more of the following measures:

- Reorient or relocate the receiving antenna.
- Increase the separation between the equipment and receiver.
- Connect the equipment into an outlet on a circuit different from that to which the receiver is connected.
- Consult the dealer or an experienced radio/TV technician for help

This device complies with part 15 of the FCC rules. Operation is subject to the following two conditions (1) this device may not cause harmful interference, and (2) this device must accept any interference received, including interference that may cause undesired operation.

This equipment complies with FCC radiation exposure limits set forth for an uncontrolled environment. This equipment should be installed and operated with minimum distance 20cm between the radiator & your body.

Declaration on hazardous substances and elements contained in electronic products

Part Description	Hazardous substances and elements					
	Lead (pb)	Mercury (Hg)	Cadmium (Cd)	Hexavalent chromium (Cr VI)	Polybrominated Biphenyls (PBB)	Polybrominated Biphenyl ethers (PBDE)
PCB	X	O	O	O	O	O
Plastic	O	O	O	O	O	O
Battery	O	O	O	O	O	O
Accessory	O	O	O	O	O	O

This form is compiled in accordance with SJ/T 11364.

O: It indicates that the content of the harmful substance in all homogeneous materials of the component is below the limit specified in GB/T 26572 standard.

X: The content of harmful substances in at least one homogeneous material of this part exceeds the limit stipulated in GB/T 26572 standard.

Warm Tip: The 5-year icon refers to the "effective life of environmental protection", not the product quality assurance period. Electronic products all contain harmful substances such as lead, mercury and cadmium. Once they are overused, harmful substances may leak or mutate, cause pollution to the environment, or cause serious damage to people and property. The term of "environmental protection use" means that all electronic products will be required to use within this effective period. We will no longer be responsible for the quality of the products due to the safety risks that arise after the safe use period.