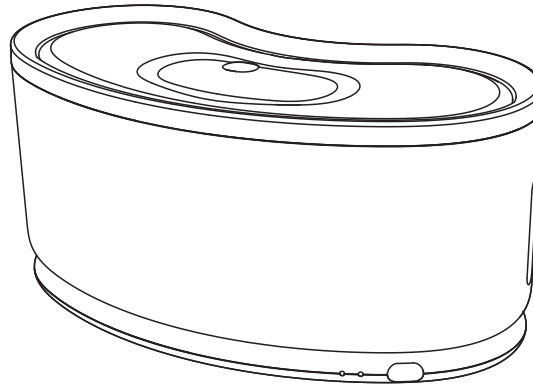


**Baseus**



**Baseus Lotis Y1 Smart Pet Water Dispenser**  
**User Manual**

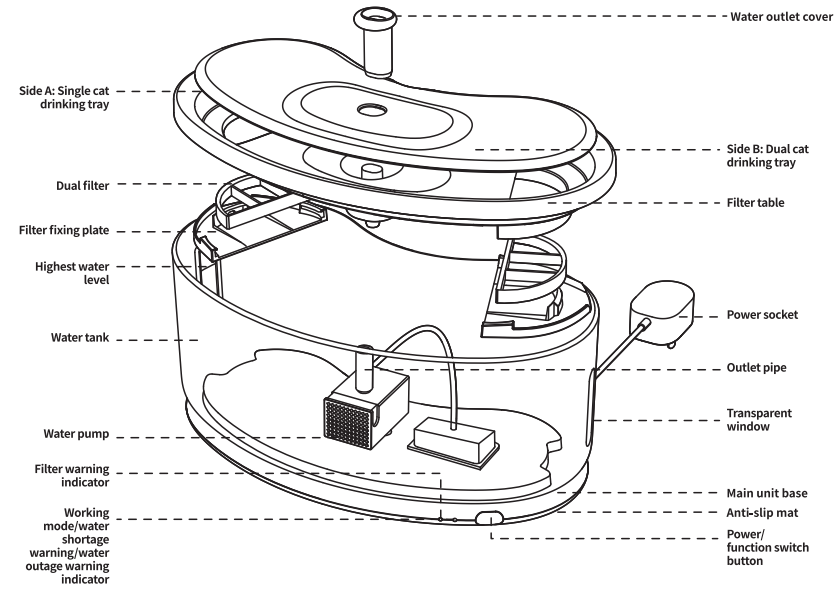
Please read this user manual carefully before use and keep it for future reference.

## 1. Precautions

1. This device is not intended for use by children under the age of 8. Do not allow children to clean and maintain the device without adult supervision!
2. This device may only be operated in accordance with the guidelines in this instruction. Please do not perform maintenance operations other than those specified in this instruction.
3. If the device fails to work properly due to being dropped, bumped, damaged, placed outdoors, or exposed to water, stop using it immediately.
4. This device can only be placed in a dry place! Please do not place the device outdoors or on wet floor, and do not allow the device to touch or be immersed in water.
5. Please do not use a damaged power cord or plug. If the power cord is damaged, contact the supplier or the after-sales service personnel of the manufacturer immediately to replace the power cord and avoid any damage to the unit.
6. When unplugging the charging unit, please hold the charging unit with your hand and do not drag the power cord. Please do not use a power extension cord for power supply. The device must be provided with a rated safe low voltage that meets the application requirements.
7. Please keep the device away from heat, fire or other high temperature countertops.
8. Please do not place metal in the base of the outer bucket. Otherwise, it may cause damage to the product, or even cause serious events such as fire.
9. When the base of the outer bucket gets wet, please wipe the outer surface dry before continuing to use it.
10. Please do not pour hot water in the bucket.
11. Please do not disassemble, modify or repair this device by yourself. Otherwise, all warranty and service rights are void.

## 2. Product Introduction

### 2.1 Description of components

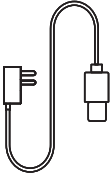


**2.2 Package Including**

Package Including



Main unit of Baseus Lotis Y1 Smart Pet Water Dispenser X1



Adapter X1



Charging base X1



Filter X2

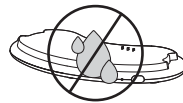
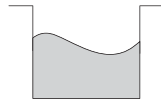
### 3. Product Specifications

Product Name: Baseus Lotis Y1 Smart Pet Water Dispenser  
Product Model: BS-PY001  
Product capacity: 2.5 L  
Main material: ABS food grade  
Working temperature: 0-50°C  
Power cord length: 1.5 m

### 4. Use Instructions

#### 4.1 Installation Instructions

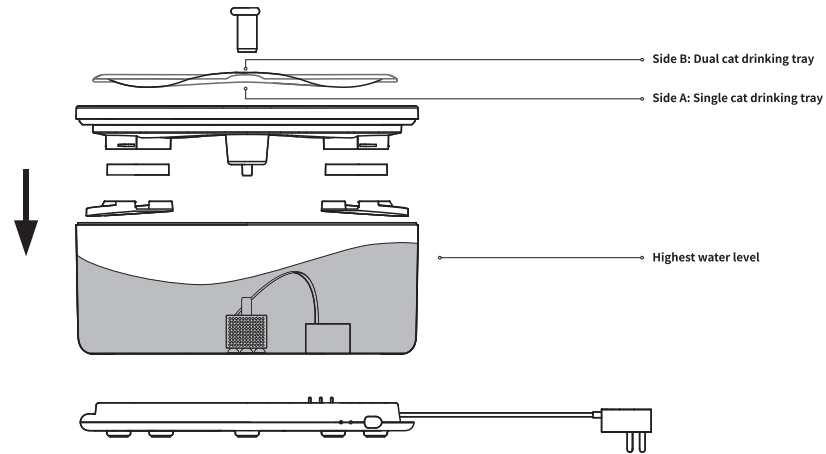
1. Before installing or replacing the filter, soak it in water for a few minutes and then rinse to remove any floating carbon particles produced during transportation.
2. The base of the main unit cannot be soaked in water for cleaning to avoid short circuiting caused by internal water seepage.



#### 4.2 Device Installation

1. Unpack and take out the device and accessories.
2. Add water to the water tank to the highest water level (be careful to ensure that the outer wall of the water bucket remains dry) and set it aside.

3. Open the filter protection bag, place two filters on the bottom of the filter table on both sides, and fix them with the filter fixing plate.
4. Place the A/B side of the drinking tray as needed (single cat drinking tray is on side A and dual cat drinking tray is on side B) on the filter table.
5. Insert the Type-C power cord into the power socket of the device base, and place the device base on a flat floor.
6. Place the main unit on the device base, and connect the power supply. At this time, the device is ready to use.



(Device Installation)

#### 4.3 Description of buttons

Press the button: Turn on/off the indicator.

Press the button twice: The device switches between the common mode and interval mode circularly.

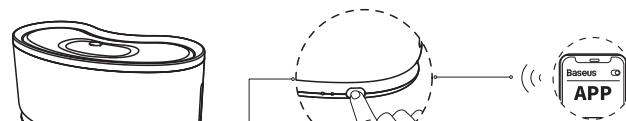
Press and hold the button for 5s: After the filter is replaced, the timer is reset. The filter use time is recounted.

Press and hold the button for 2s: Turn on or off the device.

#### 4.4 Description of modes:

Common mode: The device continuously dispenses water. The indicator is white.

Interval mode: The device dispenses water for 3 minutes and then stops for 3 minutes. The indicator is blue.

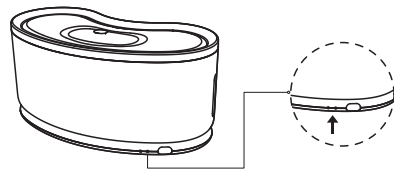


Note: You can turn on/off the indicator and power on/off the device through the app. The interval can be customized on the Baseus app according to the cat's drinking habits.

#### Filter replacement warning:

The use period is 30 days. When the orange indicator blinks, you need to replace the filter.



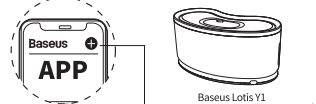

#### 4.4 Status description of indicators



Functional status	Indicator status	Working status
Operating mode	White indicator is steady on	The device is operating properly in common mode
	Blue indicator is steady on	The device is operating properly in interval mode
Water status	Red indicator blinks	There is too little water. The water pump can continue to work, but it is necessary to add water.
	Red indicator is steady on	There is no water. The water pump stops working. Add water as soon as possible.
Filter status	Orange indicator blinks	The filter needs to be replaced.
Device status	Indicator is off	The device indicator is off or the device is turned off.




#### 4.5 App operation instructions

<p>❶ Enable the wireless connection. Scan the QR code to download and install Baseus app.</p> 	<p>❷ Enter the Baseus app home screen. Touch "+" in the upper right corner to bind the device.</p>  <p>Note: After the device is installed, connect the power supply. At this time, the wireless connection is in the broadcast status.</p>
<p>❸ Enter the "Add Device" screen. Touch "Baseus Lotis Y1" to add it.</p> 	<p>❹ After the device is added, place it near the mobile phone. Enable the device on the app. Then, it can start to operate.</p> 

#### 5. Maintenance and Cleaning

1. Disconnect the device from the power supply and clean it. Ensure that the bottom connector is dry.
2. After the water tank is cleaned, wipe the bottom clean and place it on the base.
3. Please do not wash the water tank, drinking tray and filter with boiling water.
4. It is recommended to replace the drinking water every 3 days or so. Clean the drinking tray and if the filter sponge is too dirty, please replace it in a timely manner.

## 6. Declaration on hazardous substances and elements contained in electronic products

Toxic or hazardous substances and elements 						
Part name	Lead (Pb)	Mercury (Hg)	Cadmium (Cd)	Hexavalent chromium (Cr VI)	Polybrominated biphenyls (PBB)	Polybrominated diphenyl ethers (PBDE)
PCB	X	○	○	○	○	○
Plastic	○	○	○	○	○	○
Battery	○	○	○	○	○	○
Accessory	○	○	○	○	○	○
Extension cord	X	○	○	○	○	○

This form is compiled in accordance with SJ/T 11364.

O: It indicates that the content of the harmful substance in all homogeneous materials of the component is below the limit specified in GB/T 26572 standard.

X: The content of harmful substances in at least one homogeneous material of this part exceeds the limit stipulated in GB/T 26572 standard.

This product complies with EU RoHS 2.0 Directive (2011/65/EU)

The 5-year icon refers to the "valid environment-friendly use period", not the product quality assurance period.

Electronic products contain toxic and harmful substances such as lead, mercury and cadmium. The overdue use of these products may lead to leakage or mutation of these toxic and harmful substances, cause environment pollution or serious damage to people and property. The term of "environment-friendly use period" means that all electronic products shall be used within this validity period. We are free of any responsibility against safety issues caused by using the product beyond its safe service life.

Changes or modifications not expressly approved by the party responsible for compliance could void the user's authority to operate the equipment.

This device complies with Part 15 of the FCC Rules. Operation is subject to the following two conditions:

(1) This device may not cause harmful interference, and (2) this device must accept any interference received, including interference that may cause undesired operation.

Note: This equipment has been tested and found to comply with the limits for a Class B digital device, pursuant to Part 15 of the FCC Rules. These limits are designed to provide reasonable protection against harmful interference in a residential installation. This equipment generates, uses, and can radiate radio frequency energy, and if not installed and used in accordance with the instructions, may cause harmful interference to radio communications. However, there is no guarantee that interference will not occur in a particular installation. If this equipment does cause harmful interference to radio or television reception, which can be determined by turning the equipment off and on, the user is encouraged to try to correct the interference by one or more of the following measures:

- Reorient or relocate the receiving antenna.
- Increase the separation between the equipment and receiver.
- Connect the equipment into an outlet on a circuit different from that to which the receiver is connected.
- Consult the dealer or an experienced radio/TV technician for help.

To maintain compliance with FCC's RF exposure guidelines, this equipment should be installed and operated with a minimum distance of 20cm between the radiator and your body.

It is hereby declared that BS-PY001, a product model of Shenzhen Baseus Technology Co., Ltd., complies with the provisions of Directive 2014/30/EU, Directive 2011/65/EU. The full text of the EC Declaration of Conformity can be found on the following website: [www.baseus.com](http://www.baseus.com)



This equipment complies with the provisions of Directive 2012/19/EU. It is strictly forbidden to dispose of this equipment with ordinary trash; it must be recycled. This symbol indicates that the product shall not be treated as regular domestic trash, and must be delivered to a recycling center that is capable of recycling electronic and electrical equipment.



**FCC ID: 2A482-BS-PY001**

Manufacturer: Shenzhen Baseus Technology Co., Ltd.

Add: 2th Floor, Building B, Baseus Intelligence Park, No.2008, Xuegang Rd,

Gangtou Community, Bantian Street, Longgang District, Shenzhen

Executive Standard: GB 4706.1-2005

Hotline: +86-4000-712-711 Website: [www.baseus.com](http://www.baseus.com)

Designed by Baseus

Made in China

PB3432Z-P0A0

This device complies with part 15 of the FCC Rules. Operation is subject to the following two conditions: (1) this device may not cause harmful interference, and (2) this device must accept any interference received, including interference that may cause undesired operation.

Any changes or modifications not expressly approved by the party responsible for compliance could void the user's authority to operate the equipment.

NOTE: This equipment has been tested and found to comply with the limits for a Class B digital device, pursuant to Part 15 of the FCC Rules. These limits are designed to provide reasonable protection against harmful interference in a residential installation. This equipment generates, uses and can radiate radio frequency energy and, if not installed and used in accordance with the instructions, may cause harmful interference to radio communications.

However, there is no guarantee that interference will not occur in a particular installation.

If this equipment does cause harmful interference to radio or television reception, which can be determined by turning the equipment off and on, the user is encouraged to try to correct the interference by one or more of the following measures:

- Reorient or relocate the receiving antenna.
- Increase the separation between the equipment and receiver.
- Connect the equipment into an outlet on a circuit different from that to which the receiver is connected.
- Consult the dealer or an experienced radio/TV technician for help.

The device has been evaluated to meet general RF exposure requirement. The device can be used in portable exposure condition without restriction