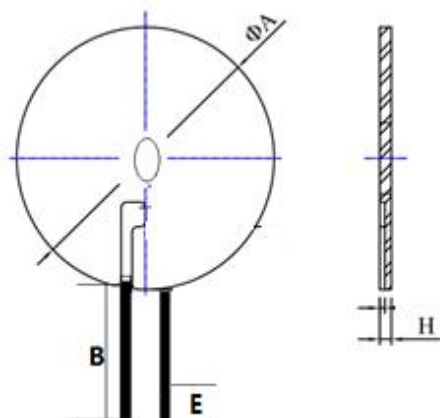
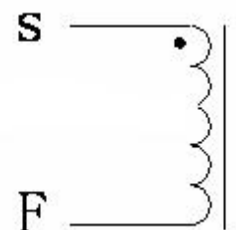


SPECIFICATION FOR APPROVAL

1. MECHANICAL DIMENSION (UNIT:mm)



2. SCHEMATICS:



1. Coil attached magnetic sheet, Grooving.
2. Outlet position of the coil
Adhesive paper 1-2Ts;
3. EVA cotton should be affixed to the bottom of the magnetic separator

45±1.0	13±2	4±2	2.8MAX
--------	------	-----	--------

3. WINDING:

STEP	START-FINISH	WIRE TYPE	TURNS	TAPE	REMARK
N1	S-F	silk-covered wire \varnothing 0.08*105 2UEW	12TS (Ref)		

4. ELECTRICAL SPECIFICATION:

ITEM	L	DCR	L	Q value	HI-POT
TEST	Coil plus magnetic plate	S-F	Individual coil		
CON	100KHz, 0.25V	AT 25°C	100KHz, 0.25V		
SPEC	6.3uH±10%	60mΩ Max	3.8uH±15%		

5. BILF OF MATERIAL:

NO.	ITEM	MATERIAL SPECIFICATION	MANUFACTURER	SGS NO.
1	silk-covered wire	0.08*105 base	NANJINGJINNINGCO,LTD	
2	tin rod	Lead-free tin strip	QIAODO	
3	magnetic sheet	\varnothing 45Manganese zinc hard magnetic sheet	TAIYI CO.,LTD	
4	glue	all-purpose adhesive 9999	LIANCHENG CO.,LTD	
5	gummed paper	8mm high-temperature adhesive tape	CUDAK CO.,LTD	
6	gum	EVA \varnothing 43.5*0.5	CUDAK CO.,LTD	

HRSW ELECTRONICS CO.,LTD	PART NO	
	TITLE	G45 slotting+gum stock Lead length 13mm
DRAWN BY	CHECKED BY	APPROVED BY
HEWEIHUA	WEILIHONG	WEILIHONG

SPECIFICATION FOR APPROVAL

6. SAMPLE TEST DATA									
6. 1DIMENSION TEST (UNIT:mm)									
TEST ITEM	A	B	E	H					
SPEC	45±1.0	13±2	4±2	2.8MAX					
1	45	13	3.50	2.23					
2	44	14	3.60	2.24					
3	45.2	13.5	3.70	2.25					
4	44.9	14.8	3.80	2.28					
5	45.3	13.6	4.00	2.26					
6									
7									
8									
9									
10									
MAX	45.30	14.80	4.00	2.28					
MIN	44.00	13.00	3.50	2.23					
AVERAGE	44.88	13.78	3.72	2.25					
6. 2ELECTRICAL TEST									
TEST ITEM	L		DCR	IDC		Q	HI-POT		
	S-F		S-F						
TEST COND	100KHz/0.25v		AT 25°C						
SPEC	6.3uH ±10%		60mΩ (Max)						
1	6.32		38.60						
2	6.35		38.40						
3	6.34		39.00						
4	6.48		39.60						
5	6.45		38.90						
6									
7									
8									
9									
10									
MAX	6.48		39.60						
MIN	6.32		38.40						
AVERAGE	6.39		38.90						
HRSW ELECTRONICS CO., LTD					PART NO				
					TITLE		G45 slotting+gum stock Lead length 13mm		
DRAWN BY			CHECKED BY			APPROVED BY			
HEWEIHUA			WEILIHONG			WEILIHONG			