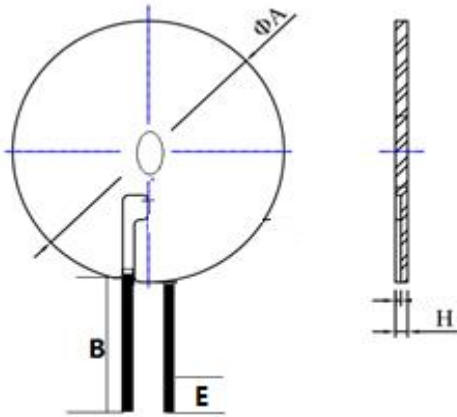
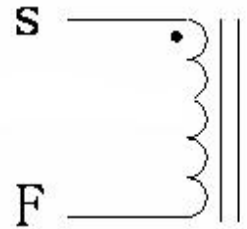


SPECIFICATION FOR APPROVAL

1. MECHANICAL DIMENSION (UNIT:mm)



2. SCHEMATICS:



1. Coil attached magnetic sheet, Grooving.
2. Outlet position of the coil Adhesive paper 1-2Ts;
3. EVA cotton should be affixed to the bottom of the magnetic separator

| | | | |
|--------|------|-----|--------|
| 41±1.0 | 20±2 | 4±2 | 3.1MAX |
|--------|------|-----|--------|

3. WINDING:

| STEP | START-FINISH | WIRE TYPE | TURNS | TAPE | REMARK |
|------|--------------|--|------------|------|--------|
| N1 | S-F | Hot air self-adhesive wire $\phi 0.08 \times 24P$ 2UEW | 10TS (Ref) | | |

4. ELECTRICAL SPECIFICATION:

| ITEM | L | DCR | L | Q value | HI-POT |
|------|--------------------------|----------|-----------------|---------|--------|
| TEST | Coil plus magnetic plate | S-F | Individual coil | | |
| CON | 100KHz, 0.25V | AT 25°C | 100KHz, 0.25V | | |
| SPEC | 6.3uH±10% | 90mΩ Max | 3.8uH±15% | | |

5. BILF OF MATERIAL:

| NO. | ITEM | MATERIAL SPECIFICATION | MANUFACTURER | SGS NO. |
|-----|----------------------------|--|----------------------|---------|
| 1 | Hot air self-adhesive wire | 0.08*24P base | NANJINGJINNINGCO,LTD | |
| 2 | tin rod | Lead-free tin strip | QIAODO | |
| 3 | magnetic sheet | $\phi 41.5$ Manganese zinc hard magnetic sheet | TAIYI CO.,LTD | |
| 4 | glue | all-purpose adhesive 9999 | LIANCHENG CO.,LTD | |
| 5 | gummed paper | 8mm high-temperature adhesive tape | CUDAK CO.,LTD | |
| 6 | gum | EVA $\phi 41 \times 1.5$ | CUDAK CO.,LTD | |

| | | |
|---|------------|--|
| Huizhou Qitai Electronic Technology CO.,LTD | PART NO | |
| | TITLE | G41.5 slotting+gum stock Lead length 20mm |
| DRAWN BY | CHECKED BY | APPROVED BY |
| HEWEIHUA | WEILIHONG | WEILIHONG |

SPECIFICATION FOR APPROVAL

| 6. SAMPLE TEST DATA | | | | | | | | | |
|------------------------------|---------------|-------|------------|--------|---------|-------------|--|--|--|
| 6. 1DIMENSION TEST (UNIT:mm) | | | | | | | | | |
| TEST ITEM | A | B | E | H | | | | | |
| SPEC | 41.5±1.0 | 20±2 | 4±2 | 3.1MAX | | | | | |
| 1 | 41.5 | 21 | 3.50 | 3.05 | | | | | |
| 2 | 41.2 | 22 | 3.60 | 2.95 | | | | | |
| 3 | 41.6 | 19.5 | 3.70 | 3.15 | | | | | |
| 4 | 41.3 | 19.8 | 3.80 | 3.12 | | | | | |
| 5 | 41.5 | 21.5 | 4.00 | 3.18 | | | | | |
| 6 | | | | | | | | | |
| 7 | | | | | | | | | |
| 8 | | | | | | | | | |
| 9 | | | | | | | | | |
| 10 | | | | | | | | | |
| MAX | 41.60 | 22.00 | 4.00 | 3.18 | | | | | |
| MIN | 41.20 | 19.50 | 3.50 | 2.95 | | | | | |
| AVERAGE | 41.42 | 20.76 | 3.72 | 3.09 | | | | | |
| 6. 2ELECTRICAL TEST | | | | | | | | | |
| TEST ITEM | L | | DCR | IDC | | Q | HI-POT | | |
| | S-F | | S-F | | | | | | |
| TEST COND | 100KHz/0.25v | | AT 25°C | | | | | | |
| SPEC | 6.3uH ±10% | | 60mΩ (Max) | | | | | | |
| 1 | 6.32 | | 38.60 | | | | | | |
| 2 | 6.35 | | 38.40 | | | | | | |
| 3 | 6.34 | | 39.00 | | | | | | |
| 4 | 6.48 | | 39.60 | | | | | | |
| 5 | 6.45 | | 38.90 | | | | | | |
| 6 | | | | | | | | | |
| 7 | | | | | | | | | |
| 8 | | | | | | | | | |
| 9 | | | | | | | | | |
| 10 | | | | | | | | | |
| MAX | 6.48 | | 39.60 | | | | | | |
| MIN | 6.32 | | 38.40 | | | | | | |
| AVERAGE | 6.39 | | 38.90 | | | | | | |
| HRSW ELECTRONICS CO., LTD | | | | | PART NO | | | | |
| | | | | | TITLE | | G41.5 slotting+gum stock Lead length 20mm | | |
| DRAWN BY | | | CHECKED BY | | | APPROVED BY | | | |
| HEWEIHUA | | | WEILIHONG | | | WEILIHONG | | | |