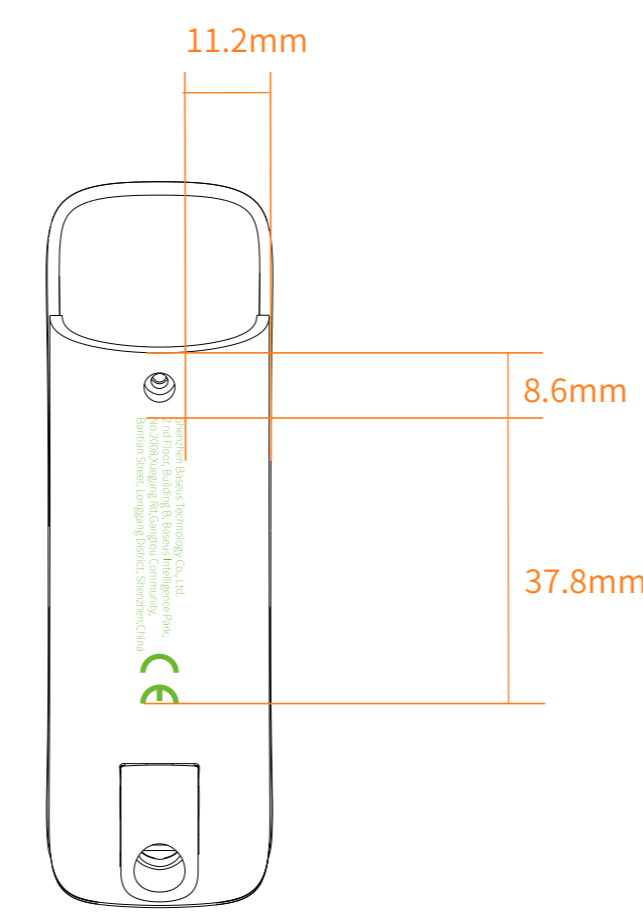
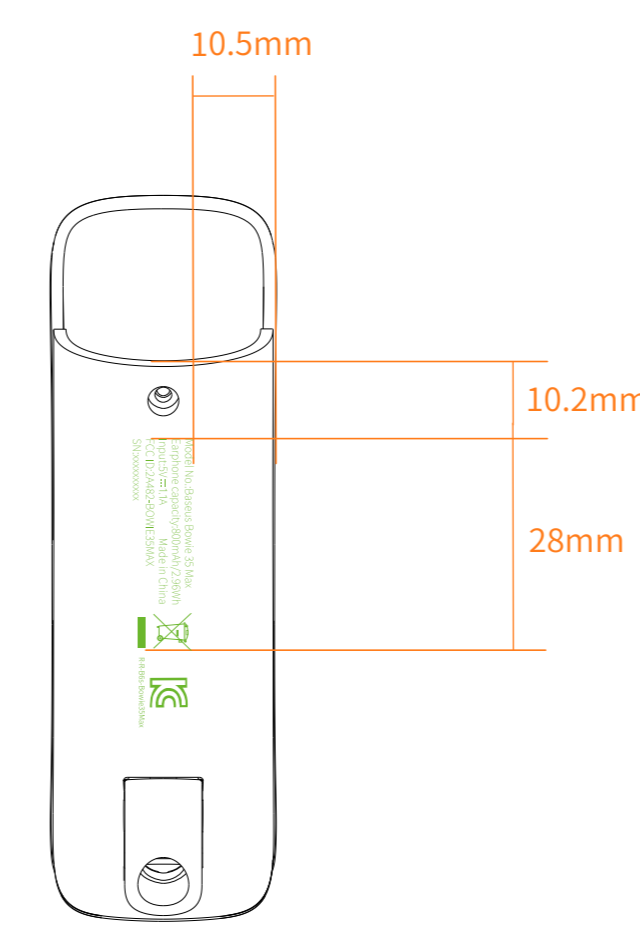




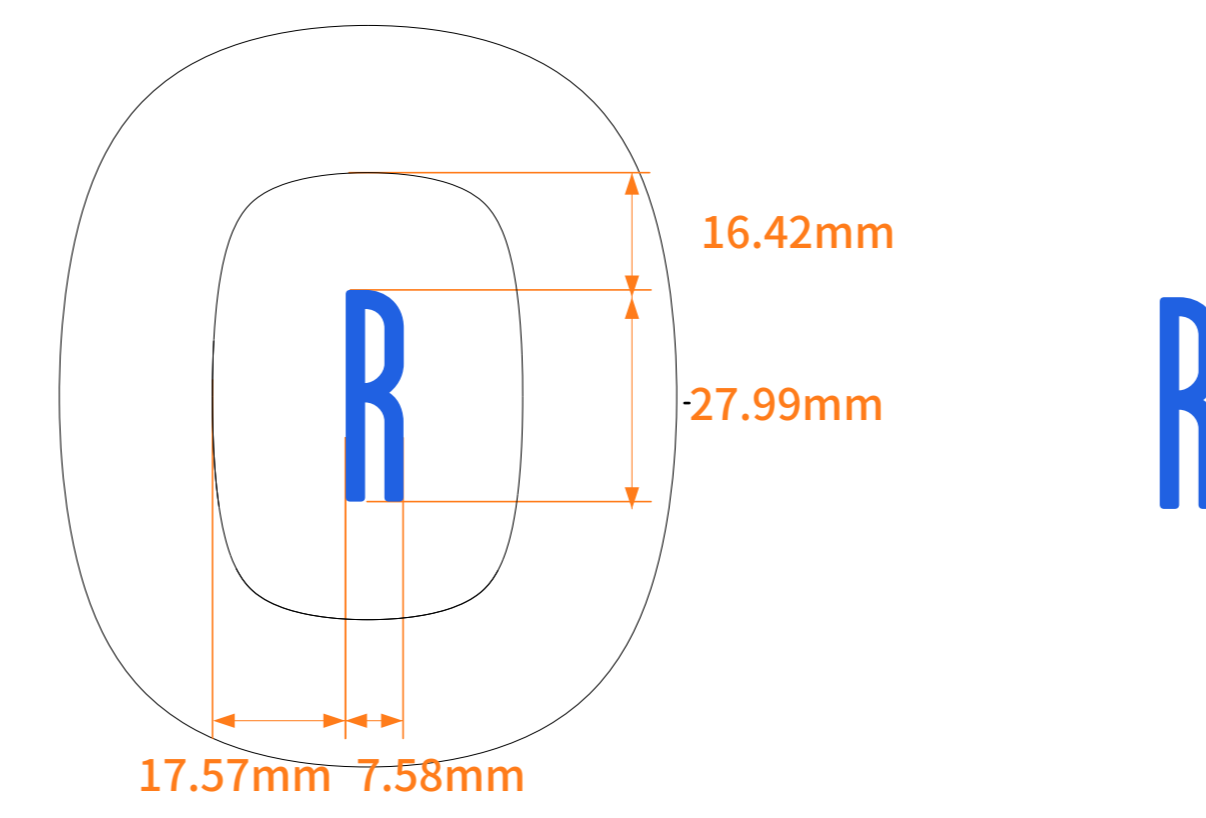
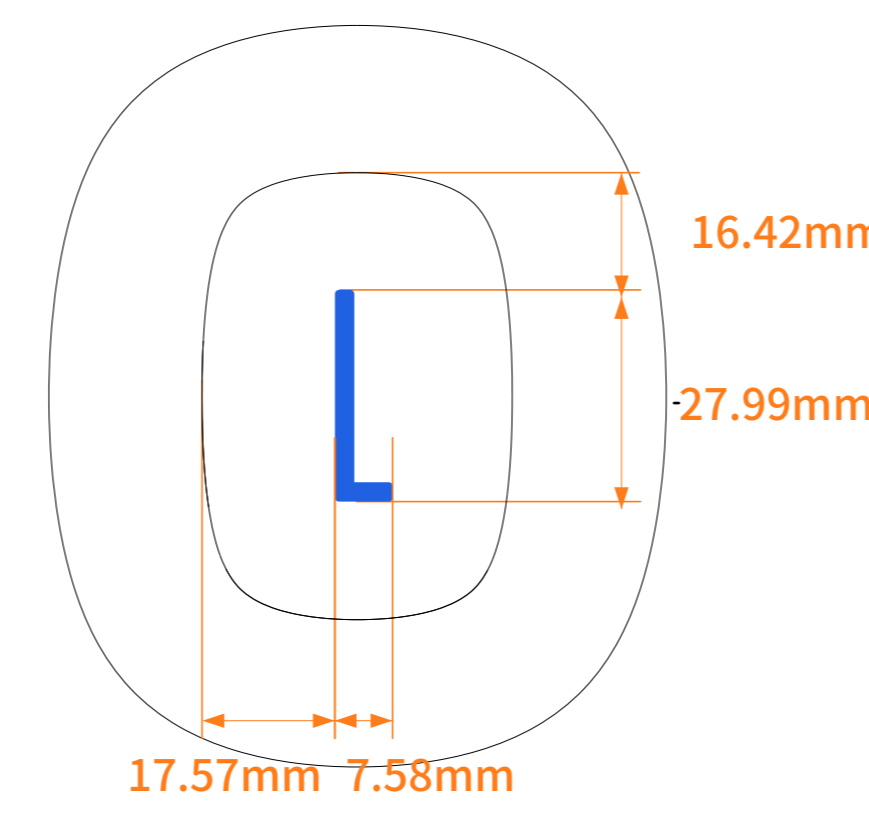
front view



Left head beam expansion



Right head beam expansion



R