

Guangzhou Xaircraft Technology CO.,LTD

TEST REPORT

SCOPE OF WORK

FCC TESTING– ACS2G

REPORT NUMBER

220211030SZN-003

ISSUE DATE **[REVISED DATE]**

17 August 2022 [-----]

PAGES

103

DOCUMENT CONTROL NUMBER

FCC SAR_b

© 2017 INTERTEK



SAR TEST REPORT

For

Guangzhou Xaircraft Technology CO.,LTD

Agricultural Control Stick

Model No.: ACS2G

FCC ID: 2A46G-ACS2G

Report No.: 220211030SZN-003

Issue Date: 17 August 2022

Prepared by

Intertek Testing Services Shenzhen Ltd. Longhua Branch

101, 201, Building B, No. 308 Wuhe Avenue, Zhangkengjing Community, GuanHu
Subdistrict, LongHua District, ShenZhen, P.R. China

Telephone: 86-755-8601 6288

Fax: 86-755-8601 6751

- This report is for the exclusive use of Intertek's Client and is provided pursuant to the agreement between Intertek and its Client. Intertek's responsibility and liability are limited to the terms and conditions of the agreement. Intertek assumes no liability to any party, other than to the Client in accordance with the agreement, for any loss, expense or damage occasioned by the use of this report. Only the Client is authorized to copy or distribute this report. Any use of the Intertek name or one of its marks for the sale or advertisement of the tested material, product or service must first be approved in writing by Intertek. The observations and test results referenced from this report are relevant only to the sample tested. This report by itself does not imply that the material, product, or service is or has ever been under an Intertek certification program.
- The test report only allows to be revised only within the report defined retention period unless further standard or the requirement was noticed

Table of Contents

1 GENERAL INFORMATION 3

2 EQUIPMENT UNDER TEST (EUT) TECHNICAL DESCRIPTION..... 5

3 AUXILIARY EQUIPMENT DETAILS 9

4 TEST FACILITY..... 10

5 GUIDANCE STANDARD 11

6 EUT ANTENNA LOCATIONS 12

7 RF EXPOSURE..... 15

 7.1 LIMITS..... 15

 7.2 EVALUATION 15

8 SPECIFIC ABSORPTION RATE (SAR) 16

 8.1 INTRODUCTION 16

 8.2 SAR DEFINITION..... 16

9 SAR MEASUREMENTS SYSTEM CONFIGURATION 17

 9.1 SAR MEASUREMENT SET-UP 17

 9.2 DASYS E-FIELD PROBE SYSTEM 18

 9.3 E-FIELD PROBE CALIBRATION 19

 9.4 OTHER TEST EQUIPMENT..... 19

 9.5 SCANNING PROCEDURE..... 22

 9.6 DATA STORAGE AND EVALUATION 24

 9.7 TISSUE-EQUIVALENT LIQUID 26

 9.8 SYSTEM CHECK..... 27

10 MEASUREMENT PROCEDURES 29

 10.1 GENERAL DESCRIPTION OF TEST PROCEDURES 29

 10.2 MEASUREMENT VARIABILITY..... 29

 10.3 TEST COFIGURATION..... 30

11 TEST RESULTS..... 34

 11.2 SAR TEST RESULTS 92

 11.3 MAXIMUM GRAPH RESULTS 104

12 MEASUREMENT UNCERTAINTY 104

13 MAIN TEST INSTRUMENT 105

ANNEX A: Test Position Photos103

ANNEX B: System Check Results.....103

ANNEX C: Maximum Graph Results.....103

ANNEX D: System Validation.....103

ANNEX E: Probe and Dipole Calibration Certificate103

1 GENERAL INFORMATION

Applicant:	Guangzhou Xaircraft Technology CO.,LTD Block C, 115 Gaopu Rd, Tianhe Dist, Guangzhou, Guang-dong, China
Manufacturer:	Guangzhou Xaircraft Technology CO.,LTD Block C, 115 Gaopu Rd, Tianhe Dist, Guangzhou, Guang-dong, China
Product Description:	Agricultural Control Stick
Model Number:	ACS2G
File Number:	220211030SZN-003
Date of Test:	11 February 2022 to 28 February 2022

The above equipment was tested by Intertek Testing Services Shenzhen Ltd. Longhua Branch. The test data, data evaluation, test procedures, and equipment configurations shown in this report were made in accordance with the procedures given in IEEE 1528-2013 and KDB 865664. This device is in compliance with Specific Absorption Rate (SAR) for general population/uncontrolled exposure limits (4.0 W/kg) specified in ANSI/IEEE C95.1-1992.

The test results of this report relate only to the tested sample identified in this report

Prepared and Checked by:

Approved by:

Allen Qin
Engineer

Ryan Chen
Project Engineer
17 August 2022

STATEMENT OF COMPLIANCE

The Maximum reported SAR10g

Limb Configuration Separation of Distance: 0mm

Equipment Class	Frequency Band		Product Specific 10g SAR (W/kg) (0 mm)	Highest Simultaneous Transmission (Report SAR) 10g SAR (W/kg)
License	GSM	GSM850	1.72	3.26
		GSM1900	1.81	
	WCDMA	Band II	2.96	
		Band IV	3.18	
	LTE	Band 2	1.45	
		Band 4	1.17	
		Band 7	0.83	
		Band 12	0.55	
		Band 13	0.71	
		Band 25	1.7	
		Band 26/Band5	0.97	
		Band 38	0.26	
		Band 41	0.26	
DTS	WLAN	2.4GHz WLAN	0.60	

The SAR values found for the Agricultural Control Stick are below the maximum recommended levels of 4W/kg as averaged over any 10g tissue according to the ANSI C95.1-1992

The maximum reported SAR value is: 3.26 W/kg (10g).

2 EQUIPMENT UNDER TEST (EUT) TECHNICAL DESCRIPTION

Characteristics	Description		
Product Name:	Agricultural Control Stick		
Device type:	Portable device		
Exposure Category:	Uncontrolled Environment/General Population		
Test Mode(s):	GSM/TM1 (GSM system, GSM/GPRS, GMSK modulation)		
	GSM/TM2 (GSM system, EDGE, 8PSK modulation)		
	UMTS/TM1 (WCDMA system, QPSK modulation)		
	UMTS/TM2 (HSDPA system, QPSK modulation)		
	UMTS/TM3 (HSUPA system, QPSK modulation)		
	LTE/TM1 (LTE system, QPSK modulation)		
	LTE/TM2 (LTE system, 16QAM modulation)		
	WiFi 2.4G (DSSS/OFDM)		
Device Class:	B		
Antenna Type:	WiFi: Internal permanent antenna GSM/WCDMA/LTE: Internal permanent antenna		
Antenna Gain:	GSM850: -1.4dBi GSM1900: 2.77dBi UMTS1900: 2.77dBi UMTS1700: 3.45dBi LTE BAND2: 2.77dBi LTE BAND4: 3.45dBi LTE BAND5: -1.4dBi LTE BAND7: 2.93dBi LTE BAND12: -3.43dBi LTE BAND13: -3.07dBi LTE BAND25: 2.77dBi LTE BAND26: -1.4dBi LTE BAND38: 1.95dBi LTE BAND41: 2.7dBi		
Operating Frequency Range(s)	Band	Tx (MHz)	Rx (MHz)
	GSM850	824-849	869-894
	GSM1900	1850-1910	1930-1990
	UMTS Band II	1850-1910	1930-1990
	UMTS Band IV	1710-1755	2110-2155
	LTE Band 2	1850-1910	1930-1990
	LTE Band 4	1710-1755	2110-2155
	LTE Band 5	824-849	869-894

	LTE Band 7	2500-2570	2620-2690
	LTE Band 12	699-716	729-746
	LTE Band 13	777-787	746-756
	LTE Band 25	1850-1915	1930-1995
	LTE BAND26(814-824 MHz)	814 to 824	859 to 869
	LTE BAND26(824-849 MHz)	824 to 849	869 to 894
	LTE BAND38	2570 to 2620	2570 to 2620
	LTE BAND41	2496 to 2690	2496 to 2690
	WiFi 2.4G	2412-2462	
GPRS Multislot Class(12)	Max Number of Timeslots in Uplink:	4	
	Max Number of Timeslots in Downlink:	4	
	Max Total Timeslot:	5	
EGPRS Multislot Class(12)	Max Number of Timeslots in Uplink:	4	
	Max Number of Timeslots in Downlink:	4	
	Max Total Timeslot:	5	
HSUPA UE Category:	6		
HSDPA UE Category:	14		
Power Class:	GSM850: 4 GSM1900: 1 UMTS Band II: 3 UMTS Band IV: 3 LTE Band 2: 3 LTE Band 4: 3 LTE Band 5: 3 LTE Band 7: 3 LTE Band 12: 3 LTE Band 13: 3 LTE Band 25: 3 LTE Band 26: 3 LTE Band 38: 3 LTE Band 41: 3		
Test Channels (low-mid-high):	128-190-251(GSM850)		
	512-661-810(GSM1900)		
	9262-9400-9538(UMTS Band II)		
	1312-1413-1513(UMTS Band IV)		
	4132-4182-4233(UMTS Band V)		
	18607-18900-19193(LTE Band II BW=1.4MHz)		
	18615-18900-19185(LTE Band II BW=3MHz)		
	18625-18900-19175(LTE Band II BW=5MHz)		
	18650-18900-19150(LTE Band II BW=10MHz)		

18675-18900-19125(LTE Band II BW=15MHz)
18700-18900-19100(LTE Band II BW=20MHz)
19957-20175-20393(LTE Band IV BW=1.4MHz)
19965-20175-20385(LTE Band IV BW=3MHz)
19975-20175-20375(LTE Band IV BW=5MHz)
20000-20175-20350(LTE Band IV BW=10MHz)
20025-20175-20325(LTE Band IV BW=15MHz)
20050-20175-20300(LTE Band IV BW=20MHz)
20407-20525-20643(LTE Band V BW=1.4MHz)
20415-20525-20635(LTE Band V BW=3MHz)
20425-20525-20625(LTE Band V BW=5MHz)
20450-20525-20600(LTE Band V BW=10MHz)
20775-21100-21425(LTE Band VII BW=5MHz)
20800-21100-21400(LTE Band VII BW=10MHz)
20825-21100-21375(LTE Band VII BW=15MHz)
20850-21100-21350(LTE Band VII BW=20MHz)
23017-23095-23173(LTE Band XII BW=1.4MHz)
23025-23095-23165(LTE Band XII BW=3MHz)
23035-23095-23155(LTE Band XII BW=5MHz)
23060-23095-23130(LTE Band XII BW=10MHz)
23205-23230-23255(LTE Band XIII BW=5MHz)
23230-23230-23230(LTE Band XIII BW=10MHz)
26047-26365-26683 (LTE Band XXV BW=1.4MHz)
26055-26365-26675 (LTE Band XXV BW=3MHz)
26065-26365-26665 (LTE Band XXV BW=5MHz)
26090-26365-26640 (LTE Band XXV BW=10MHz)
26115-26365-26615(LTE Band XXV BW=15MHz)
26140-26365-26590(LTE Band XXV BW=20MHz)
26697-26740-26783(LTE Band XXVI BW=1.4MHz)
26705-26775-27025 (LTE Band XXVI BW=3MHz)
26715-26765-27015 (LTE Band XXVI BW=5MHz)
26740-26840-26990 (LTE Band XXVI BW=10MHz)
26765-26865-26965(LTE Band XXVI BW=15MHz)
37775-38000-38225(LTE Band 38 BW=5MHz)
37800-38000-38200(LTE Band 38 BW=10MHz)
37825-38000-38175(LTE Band 38 BW=15MHz)

	37850-38000-38150(LTE Band 38 BW=20MHz)
	39675-40148-40620-41093-41565 (LTE Band 41 BW=5MHz)
	39700-40160-40620-41080-41540 (LTE Band 41 BW=10MHz)
	39725-40173-40620-41068-41515 (LTE Band 41 BW=15MHz)
	39750-40185-40620-41055-41490 (LTE Band 41 BW=20MHz)
	802.11b/g/n 20M:1-6-11 (WiFi 2.4G)
Power supply:	D.C. 7.4V with battery
	D.C. 5V/2A, 9V/1.5A, 12V/1.5A with adaptor
Product Software Version:	V2.0.0.0
Product Hardware Version:	V2.0

Note:

1. For more details, please refer to the User's manual of the EUT.
2. The sample under test was selected by the Client.

3 AUXILIARY EQUIPMENT DETAILS

Description	Manufacturer	Description
Power Adapter	Provide by applicant	Model: GS-511 Input: 100-240V~, 50/60Hz, 0.5A Output: 5V=3A, 9V=2A, 12V=1.5A
USB cable	Provided by applicant	unshielded, Length: 20cm

4 TEST FACILITY

Site Description	
EMC Lab.	The Laboratory has been assessed and proved to be in compliance with CNAS/CL01: 2006(identical to ISO/IEC17025: 2005) The Certificate Registration Number is L0327
	Accredited by FCC The Certificate Registration Number is CN1188
Name of Firm	Intertek Testing Services Shenzhen Ltd. Longhua Branch
Site Location	101, 201, Building B, No. 308 Wuhe Avenue, Zhangkengjing Community, GuanHu Subdistrict, LongHua District, ShenZhen, P.R. China

5 GUIDANCE STANDARD

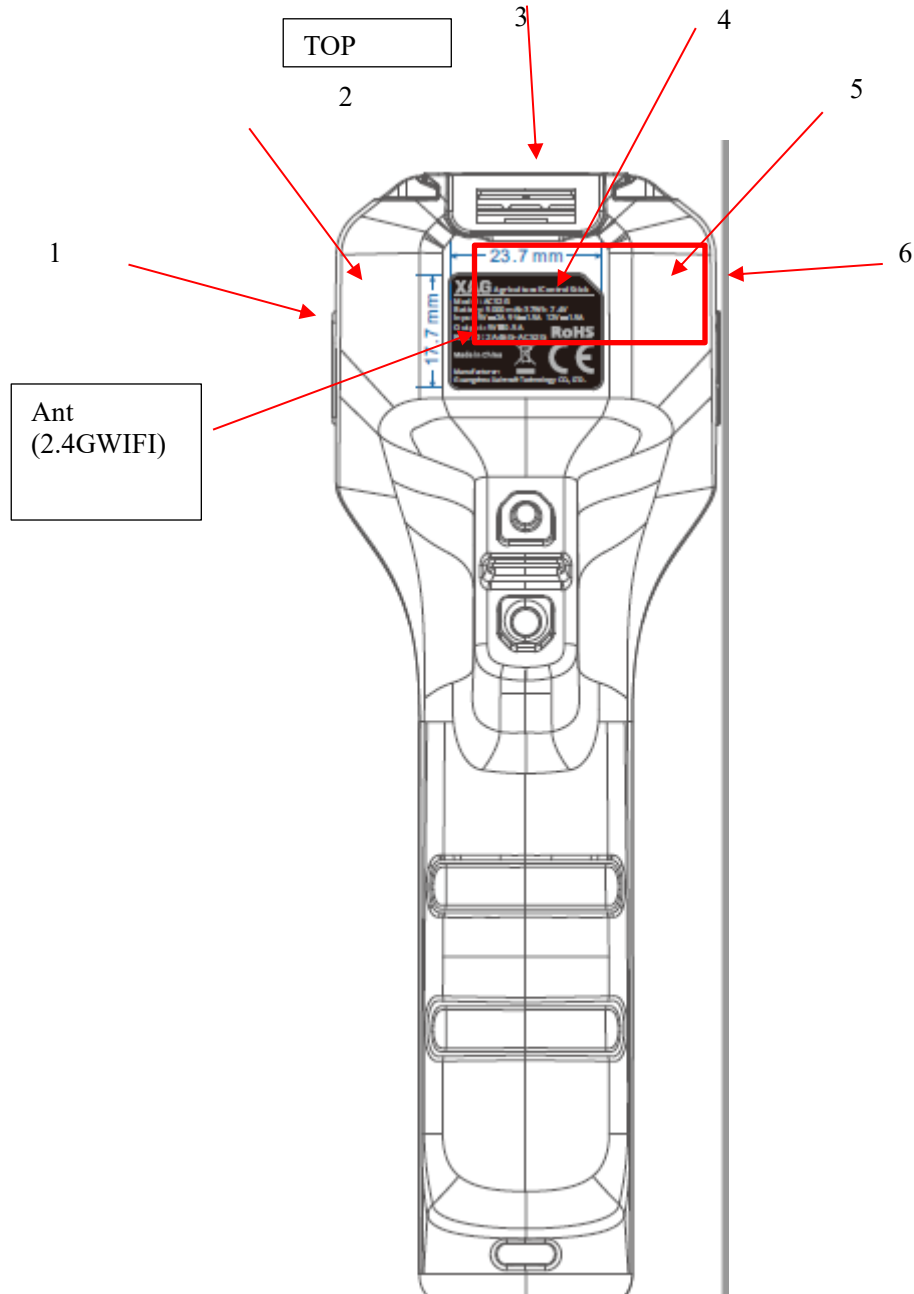
The Specific Absorption Rate (SAR) testing specification, method, and procedure for this device is in accordance with the following standards:

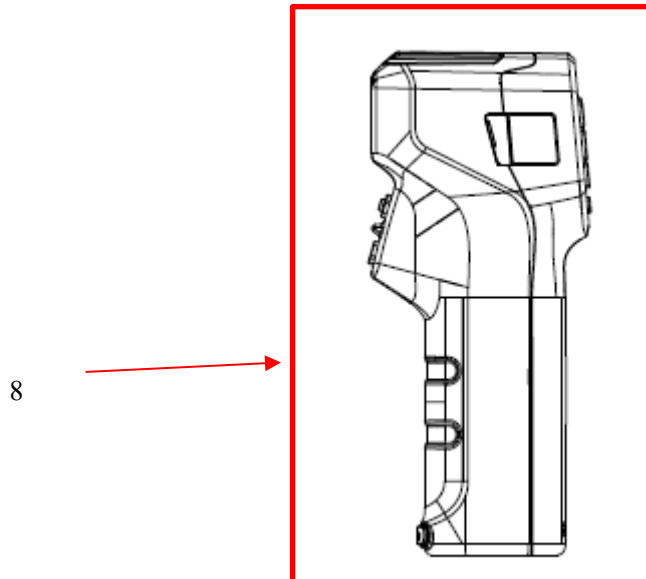
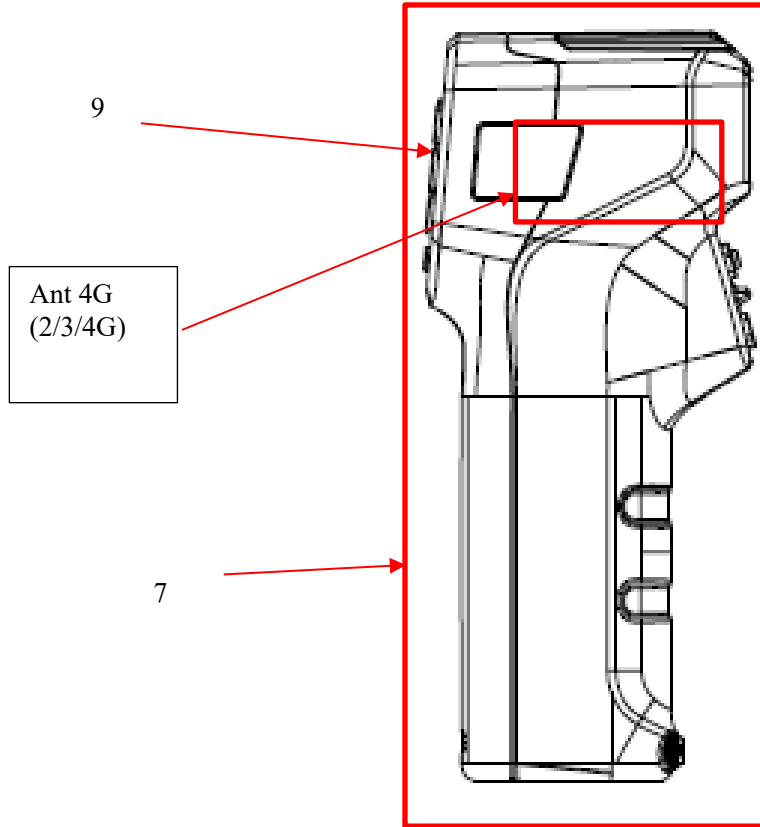
- FCC 47CFR §2.1093 Radiofrequency Radiation Exposure Evaluation: Portable Devices
- ANSI C95.1, 1992: Safety Levels with Respect to Human Exposure to Radio Frequency Electromagnetic Fields, 3 kHz to 300 GHz.(IEEE Std C95.1-1991)
- IEEE Std 1528™-2013: IEEE Recommended Practice for Determining the Peak Spatial-Average Specific Absorption Rate (SAR) in the Human Head from Wireless Communications Devices: Measurement Techniques.
- KDB 865664 D01 SAR measurement 100 MHz to 6 GHz v01r04: SAR Measurement Requirements for 100 MHz to 6 GHz
- KDB 865664 D02 SAR Reporting v01r02
- KDB690783 D01 SAR Listings on Grants v01r03
- KDB 447498 D01 Mobile Portable RF Exposure v06: Mobile and Portable Device RF Exposure Procedures and Equipment Authorization Policies
- KDB 941225 D01 SAR test for 3G Devices v03r01: SAR Measurement Procedures CDMA2000 1×RTT,1×Ev-Do, WCDMA,HSDPA/HSPA
- KDB 941225 D05 SAR for LTE Devices v02r05: SAR Evaluation Considerations for LTE Devices
- KDB 941225 D06 Hotspot Mode v02r01: SAR Evaluation Procedures for Portable Devices with Wireless Router Capabilities
- KDB 248227 D01 SAR measurement for 802.11 a b g v02r02:SAR Measurement Procedures for 802.11 a/b/g Transmitters

Remark:

This portable wireless equipment has been measured in all cases requested by the relevant standards. Test results in Chapter 11 of this test report are below limits specified in the relevant standards for the tested bands only.

6 EUT ANTENNA LOCATIONS





Bottom

Test position consideration:

Distance of EUT antenna-to-edge/surface(mm), Test distance:0mm										
Antennas	1 side	2 side	3 Edge	4 Edge	5 Edge	6 Edge	7 Edge	8 Edge	9 Edge	Bottom Edge
2/3/4G	5	5	29	5	7	8	5	20	26	126
WLAN	16	3	7	3	3	5	15	6	50	153

Distance of EUT antenna-to-edge/surface(mm), Test distance:0mm										
Antennas	1 side	2 side	3 Edge	4 Edge	5 Edge	6 Edge	7 Edge	8 Edge	9 Edge	Bottom Edge
2/3/4G	YES	YES	YES	YES	YES	YES	YES	YES	YES	N/A
WLAN	N/A	YES	YES	YES	YES	YES	N/A	YES	N/A	N/A

Note:

1. Limb SAR assessments are required.
2. Referring to KDB 941225 D06v02r01, when the overall device length and width are $\geq 9\text{cm} * 5\text{cm}$, the test distance is 10mm. SAR must be measured for all sides and surfaces with a transmitting antenna located within 25mm from that surface or edge.
3. Per KDB 447498 D01v06, for EUT the test separation distance is determined by the smallest distance between the outer surface of the device and the user, which is 0 mm for Limb SAR.

7 RF EXPOSURE

7.1 LIMITS

Uncontrolled Environment

Uncontrolled Environments are defined as locations where there is the exposure of individuals who have no knowledge or control of their exposure. The general population/uncontrolled exposure limits are applicable to situations in which the general public may be exposed or in which persons who are exposed as a consequence of their employment may not be made fully aware of the potential for exposure or cannot exercise control over their exposure. Members of the general public would come under this category when exposure is not employment-related; for example, in the case of a wireless transmitter that exposes persons in its vicinity.

Limits for General Population/Uncontrolled Exposure (W/kg)

Whole-Body	Partial-Body	Hands, Wrists, Feet and ankles
0.08	1.6	4.0

Whole-Body SAR is averaged over the entire body, partial-body SAR is averaged over any 1gram of tissue defined as a tissue volume in the shape of a cube. SAR for hands, wrists, feet and ankles is averaged over any 10 grams of tissue defined as a tissue volume in the shape of a cube.

7.2 EVALUATION

According to FCC KDB447498 D01 and §1.1310, systems operating under the provisions of this section shall be operated in a manner that ensures that the public is not exposed to radio frequency energy level in excess of the Commission's guidelines.

- 1) The 1-g and 10-g SAR test exclusion thresholds for 100 MHz to 6 GHz at *test separation distances* ≤ 50 mm are determined by:

$$[(\text{max. power of channel, including tune-up tolerance, mW}) / (\text{min. test separation distance, mm})] \cdot [\sqrt{f_{(\text{GHz})}}] \leq 3.0 \text{ for 1-g SAR and } \leq 7.5 \text{ for 10-g extremity SAR,}^{16} \text{ where}$$

- $f_{(\text{GHz})}$ is the RF channel transmit frequency in GHz
- Power and distance are rounded to the nearest mW and mm before calculation¹⁷
- The result is rounded to one decimal place for comparison

The test exclusions are applicable only when the minimum *test separation distance* is ≤ 50 mm and for transmission frequencies between 100 MHz and 6 GHz. When the minimum *test separation distance* is < 5 mm, a distance of 5 mm is applied to determine SAR test exclusion.

Routine SAR evaluation refers to that specifically required by § 2.1093, using measurements or computer simulation. Portable transmitters with output power greater than the applicable low threshold require SAR testing to qualify for TCB approval.

$$\text{Exclusion Thresholds} = P\sqrt{F} / D$$

P= Maximum turn-up power in mW

F= Channel frequency in GHz

D= Minimum test separation distance in mm

Test Distance (5mm)

Mode	MAX Power (dBm)	Tune Up Power (dBm)	Max Tune Up Power (dBm)	Max Tune Up Power (mW)	Exclusion Thresholds	Limit
WIFI	16.7	16±1	17.0	50.1	15.5	7.5

Result: SAR measurement for WIFI is required.

8 SPECIFIC ABSORPTION RATE (SAR)

8.1 INTRODUCTION

SAR is related to the rate at which energy is absorbed per unit mass in an object exposed to a radio field. The SAR distribution in a biological body is complicated and is usually carried out by experimental techniques or numerical modeling. The standard recommends limits for two tiers of groups, occupational/controlled and general population/uncontrolled, based on a person's awareness and ability to exercise control over his or her exposure. In general, occupational/controlled exposure limits are higher than the limits for general population/uncontrolled.

8.2 SAR DEFINITION

The SAR definition is the time derivative (rate) of the incremental energy (dW) absorbed by (dissipated in) an incremental mass (dm) contained in a volume element (dv) of a given density (ρ). The equation description is as below:

$$SAR = \frac{d}{dt} \left(\frac{dW}{dm} \right) = \frac{d}{dt} \left(\frac{dW}{\rho dv} \right)$$

SAR is expressed in units of Watts per kilogram (W/kg)

SAR measurement can be either related to the temperature elevation in tissue by

$$SAR = c \left(\frac{\delta T}{\delta t} \right)$$

Where: C is the specific heat capacity, δT is the temperature rise and δt is the exposure duration, or related to the electrical field in the tissue by

$$SAR = \frac{\sigma |E|^2}{\rho}$$

Where: σ is the conductivity of the tissue ρ is the mass density of tissue and E is the RMS electrical field strength.

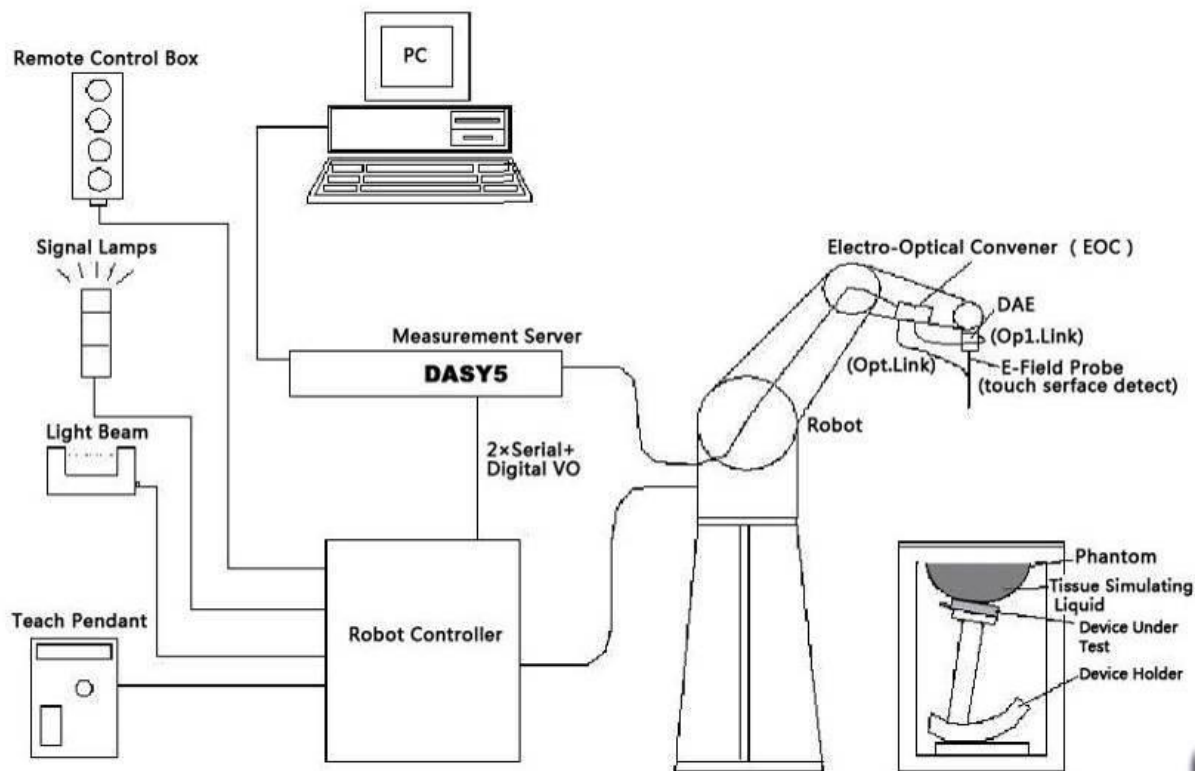
However for evaluating SAR of low power transmitter, electrical field measurement is typically applied.

9 SAR MEASUREMENTS SYSTEM CONFIGURATION

9.1 SAR MEASUREMENT SET-UP

The DASY5 system for performing compliance tests consists of the following items:

- A standard high precision 6-axis robot (Stäubli TX=RX family) with controller, teach pendant and software. An arm extension for accommodating the data acquisition electronics (DAE).
- An isotropic field probe optimized and calibrated for the targeted measurement.
- A data acquisition electronics (DAE) which performs the signal amplification, signal multiplexing, AD-conversion, offset measurements, mechanical surface detection, collision detection, etc. The unit is battery powered with standard or rechargeable batteries. The signal is optically transmitted to the EOC.
- The Electro-optical converter (EOC) performs the conversion from optical to electrical signals for the digital communication to the DAE. To use optical surface detection, a special version of the EOC is required. The EOC signal is transmitted to the measurement server.
- The function of the measurement server is to perform the time critical tasks such as signal filtering, control of the robot operation and fast movement interrupts.
- The Light Beam used is for probe alignment. This improves the (absolute) accuracy of the probe positioning.
- A computer running Win 7 professional operating system and the DASY5 software.
- Remote control and teach pendant as well as additional circuitry for robot safety such as warning lamps, etc.
- The phantom, the device holder and other accessories according to the targeted measurement.



Picture 1. SAR Lab Test Measurement Set-up

9.2 DASYS E-FIELD PROBE SYSTEM

The SAR measurements were conducted with the dosimetric probe designed in the classical triangular configuration and optimized for dosimetric evaluation. The probe is constructed using the thick film technique; with printed resistive lines on ceramic substrates. The probe is equipped with an optical multifiber line ending at the front of the probe tip. It is connected to the EOC box on the robot arm and provides an automatic detection of the phantom surface. Half of the fibers are connected to a pulsed infrared transmitter, the other half to a synchronized receiver. As the probe approaches the surface, the reflection from the surface produces a coupling from the transmitting to the receiving fibers. This reflection increases first during the approach, reaches maximum and then decreases. If the probe is flatly touching the surface, the coupling is zero. The distance of the coupling maximum to the surface is independent of the surface reflectivity and largely independent of the surface to probe angle. The DASYS software reads the reflection turning a software approach and looks for the maximum using 2nd ord curve fitting. The approach is stopped at reaching the maximum.

Probe Specifications:

Model:	EX3DV4
Calibration:	ISO/IEC 17025 calibration service available
Probe Length:	337 mm
Probe Tip Length:	9 mm
Body Diameter:	10 mm
Tip Diameter:	2.5 mm
Application:	High Precision dosimetric measurements in any exposure scenario(e.g., very strong gradient fields).



9.3 E-FIELD PROBE CALIBRATION

Each E-Probe/Probe Amplifier combination has unique calibration parameters. A TEM cell calibration procedure is conducted to determine the proper amplifier settings to enter in the probe parameters. The amplifier settings are determined for a given frequency by subjecting the probe to a known E-field density (1 mW/cm²) using an RF Signal generator, TEM cell, and RF Power Meter.

The free space E-field from amplified probe outputs is determined in a test chamber. This calibration can be performed in a TEM cell if the frequency is below 1 GHz and in a waveguide or other methodologies above 1 GHz for free space. For the free space calibration, the probe is placed in the volumetric center of the cavity and at the proper orientation with the field. The probe is then rotated 360 degrees until the three channels show the maximum reading. The power density readings equate to 1 mw/ cm².

E-field temperature correlation calibration is performed in a flat phantom filled with the appropriate simulated brain tissue. The E-field in the medium correlates with the temperature rise in the dielectric medium. For temperature correlation calibration a RF transparent thermistor-based temperature probe is used in conjunction with the E-field probe.

$$SAR = C \frac{\Delta T}{\Delta t}$$

Where:

Δt = Exposure time (30 seconds),

C = Heat capacity of tissue (brain or muscle),

ΔT = Temperature increase due to RF exposure.

$$SAR = \frac{|E|^2 \cdot \sigma}{\rho}$$

Where:

σ = Simulated tissue conductivity,

ρ = Tissue density (kg/m³).

9.4 OTHER TEST EQUIPMENT

9.4.1 Data Acquisition Electronics (DAE)

The data acquisition electronics consist of a highly sensitive electrometer-grade preamplifier with auto-zeroing, a channel and gain-switching multiplexer, a fast 16 bit AD-converter and a command decoder with a control logic unit. Transmission to the measurement server is accomplished through an optical downlink for data and status information, as well as an optical uplink for commands and the clock.

The mechanical probe mounting device includes two different sensor systems for frontal and sideways probe contacts. They are used for mechanical surface detection and probe collision detection.

The input impedance of the DAE is 200 MOhm; the inputs are symmetrical and floating. Common mode rejection is above 80 dB.



Picture 3: DAE

9.4.2 Robot

The SPEAG DASY system uses the high precision robots (DASY5: TX90XL) type from Stäubli SA (France). For the 6-axis controller system, the robot controller version from Stäubli is used. The Stäubli robot series have many features that are important for our application:

- High precision (repeatability 0.02mm)
- High reliability (industrial design)
- Low maintenance costs (virtually maintenance free due to direct drive gears; no belt drives)
- Jerk-free straight movements (brushless synchron motors; no stepper motors)
- Low ELF interference (motor control fields shielded via the closed metallic construction shields)



Picture 4 DASY 5

9.4.3 Measurement Server

The Measurement server is based on a PC/104 CPU board with CPU (DASY5: 400 MHz, Intel Celeron), chip disk (DASY5: 128MB), RAM (DASY5: 128MB). The necessary circuits for communication with the DAE electronic box, as well as the 16 bit AD converter system for optical detection and digital I/O interface are contained on the DASY I/O board, which is directly connected to the PC/104 bus of the CPU board.



Picture 5 Server for DASY 5

The measurement server performs all real-time data evaluation of field measurements and surface detection, controls robot movements and handles safety operation. The PC operating system cannot interfere with these time critical processes. All connections are supervised by a watchdog, and disconnection of any of the cables to the measurement server will automatically disarm the robot and disable all program-controlled robot movements. Furthermore, the measurement server is equipped with an expansion port which is reserved for future applications. Please note that this expansion port does not have a standardized pinout, and therefore only devices provided by SPEAG can be connected. Devices from any other supplier could seriously damage the measurement server.

9.4.4 Device Holder for Phantom

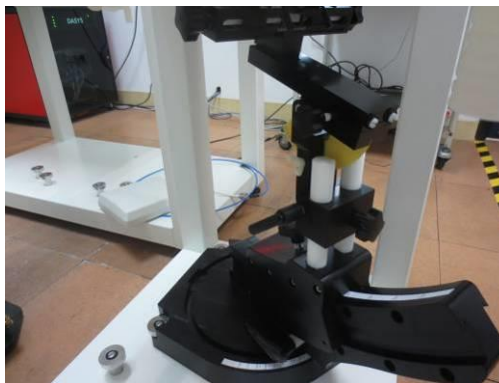
The SAR in the phantom is approximately inversely proportional to the square of the distance between the source and the liquid surface. For a source at 5mm distance, a positioning uncertainty of $\pm 0.5\text{mm}$ would produce a SAR uncertainty of $\pm 20\%$. Accurate device positioning is therefore crucial for accurate and repeatable measurements. The positions in which the devices must be measured are defined by the standards.

The DASY device holder is designed to cope with the different positions given in the standard. It has two scales for device rotation (with respect to the body axis) and device inclination (with respect to the line between the ear reference points). The rotation centers for both scales are the ear reference point (ERP). Thus the device needs no repositioning when changing the angles.

The DASY device holder is constructed of low-loss POM material having the following dielectric parameters: relative permittivity $\epsilon = 3$ and loss tangent $\delta = 0.02$. The amount of dielectric material has been reduced in the closest vicinity of the device, since measurements have suggested that the influence of the clamp on the test results could thus be lowered.

<Laptop Extension Kit>

The extension is lightweight and made of POM, acrylic glass and foam. It fits easily on the upper part of the Mounting Device in place of the phone positioner. The extension is fully compatible with the Twin-SAM and ELI phantoms.



Picture 6: Device Holder

9.4.5 Phantom

The SAM Twin Phantom V4.0 is constructed of a fiberglass shell integrated in a table. The shape of the shell is based on data from an anatomical study designed to Represent the 90th percentile of the population. The phantom enables the dissymmetric evaluation of SAR for both left and right handed handset usage, as well as body-worn usage using the flat phantom region. Reference markings on the Phantom allow the complete setup of all predefined phantom positions and measurement grids by manually teaching three points in the robot. The shell phantom has a 2mm shell thickness (except the ear region where shell thickness increases to 6 mm).

Shell Thickness: 2 ± 0.2 mm

Filling Volume: Approx. 25 liters

Dimensions: 810 x 1000 x 500 mm (H x L x W)

Available: Special



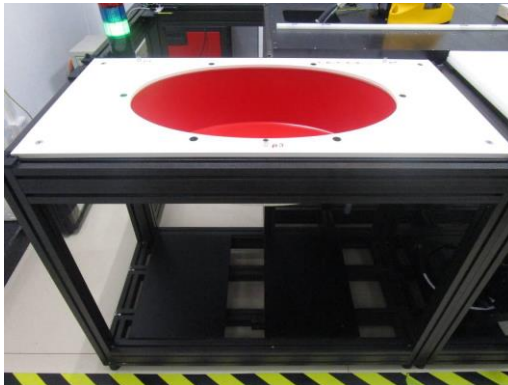
Picture 7: SAM Twin Phantom

Phantom for compliance testing of handheld and body-mounted wireless devices in the frequency range of 30 MHz to 6 GHz. ELI is fully compatible with the IEC 62209-2 standard and all known tissue simulating liquids. ELI has been optimized regarding its performance and can be integrated into our standard phantom tables. A cover prevents evaporation of the liquid. Reference markings on the phantom allow installation of the complete setup, including all predefined phantom positions and measurement grids, by teaching three points. The phantom is compatible with all SPEAG dosimetric probes and dipoles.

Shell Thickness 2 ± 0.2 mm

Filling Volume Approx. 30 liters

Dimensions 190×600×0 mm (H x L x W)



Picture 8.ELI Phantom

9.5 SCANNING PROCEDURE

The DASY5 installation includes predefined files with recommended procedures for measurements and validation. They are read-only document files and destined as fully defined but unmeasured masks. All test positions (head or body-worn or Limb) are tested with the same configuration of test steps differing only in the grid definition for the different test positions.

The “reference” and “drift” measurements are located at the beginning and end of the batch process. They measure the field drift at one single point in the liquid over the complete procedure. The indicated drift is mainly the variation of the DUT’s output power and should vary max. ± 5 %.

The “surface check” measurement tests the optical surface detection system of the DASY5 system by repeatedly detecting the surface with the optical and mechanical surface detector and comparing the results. The output gives the detecting heights of both systems, the difference between the two systems and the standard deviation of the detection repeatability. Air bubbles or refraction in the liquid due to separation of the sugar-water mixture gives poor repeatability (above ± 0.1 mm). To prevent wrong results tests are only executed when the liquid is free of air bubbles.

The difference between the optical surface detection and the actual surface depends on the probe and is specified with each probe. (It does not depend on the surface reflectivity or the probe angle to the surface within $\pm 30^\circ$.)

Area Scan

The Area Scan is used as a fast scan in two dimensions to find the area of high field values before running a detailed measurement around the hot spot. Before starting the area scan a grid spacing is set according to FCC KDB Publication 865664. During scan the distance of the probe to the phantom remains unchanged. After finishing area scan, the field maxima within a range of 2 dB will be ascertained.

Zoom Scan

After the maximum interpolated values were calculated between the points in the cube, the SAR was averaged over the spatial volume (1g or 10g) using a 3D-Spline interpolation algorithm. The 3D-spline is composed of three one-dimensional splines with the “Not a knot” condition (in x, y, and z directions). The volume was then integrated with the trapezoidal algorithm.

Spatial Peak Detection

The procedure for spatial peak SAR evaluation has been implemented and can determine values of masses of 1g and 10g, as well as for user-specific masses. The DASY5 system allows evaluations that combine measured data and robot positions, such as:

- maximum search
- extrapolation
- boundary correction
- peak search for averaged SAR

During a maximum search, global and local maxima searches are automatically performed in 2-D after each Area Scan measurement with at least 6 measurement points. It is based on the evaluation of the local SAR gradient calculated by the Quadratic Shepard’s method. The algorithm will find the global maximum and all local maxima within -2 dB of the global maxima for all SAR distributions.

Extrapolation routines are used to obtain SAR values between the lowest measurement points and the inner phantom surface. The extrapolation distance is determined by the surface detection distance and the probe sensor offset. Several measurements at different distances are necessary for the extrapolation. Extrapolation routines require at least 10 measurement points in 3-D space.

They are used in the Zoom Scan to obtain SAR values between the lowest measurement points and the inner phantom surface. The routine uses the modified Quadratic Shepard’s method for extrapolation.

A Z-axis scan measures the total SAR value at the x-and y-position of the maximum SAR value found during the cube scan. The probe is moved away in z-direction from the bottom of the SAM phantom in 5mm steps.

Table 1: Area and Zoom Scan Resolutions per FCC KDB Publication 865664 D01

Frequency	Maximum Area Scan Resolution (mm) ($\Delta x_{area}, \Delta y_{area}$)	Maximum Zoom Scan Resolution (mm) ($\Delta x_{zoom}, \Delta y_{zoom}$)	Maximum Zoom Scan Spatial Resolution (mm) $\Delta z_{zoom}(n)$	Minimum Zoom Scan Volume (mm) (x,y,z)
≤2 GHz	≤15	≤8	≤5	≥ 30
2-3 GHz	≤12	≤5	≤5	≥30
3-4 GHz	≤12	≤5	≤4	≥28
4-5 GHz	≤10	≤4	≤3	≥25
5-6 GHz	≤10	≤4	≤2	≥22

9.6 DATA STORAGE AND EVALUATION

9.6.1 Data Storage

The DASYS software stores the acquired data from the data acquisition electronics as raw data (in microvolt readings from the probe sensors), together with all necessary software parameters for the data evaluation (probe calibration data, liquid parameters and device frequency and modulation data) in measurement files with the extension “.DAE4”. The software evaluates the desired unit and format for output each time the data is visualized or exported. This allows verification of the complete software setup even after the measurement and allows correction of incorrect parameter settings. For example, if a measurement has been performed with a wrong crest factor parameter in the device set up, the parameter can be corrected afterwards and the data can be re-evaluated. The measured data can be visualized or exported in different units or formats, depending on the selected probe type ([V/m], [A/m], [°C], [mW/g], [mW/cm²], [dBrel], etc.). Some of these units are not available in certain situations or show meaningless results, e.g., a SAR output in a loss less media will always be zero. Raw data can also be exported to perform the evaluation with other software packages.

9.6.2 Data Evaluation by SEMCAD

The SEMCAD software automatically executes the following procedures to calculate the field units from the microvolt readings at the probe connector. The parameters used in the evaluation are stored in the configuration modules of the software:

Probe parameters:

- Sensitivity Norm_i, a_{i0}, a_{i1}, a_{i2}
- Conversion factor ConvF_i
- Diode compression point Dcp_i

Device parameters:

- Frequency f
- Crest factor cf

Media parameters:

- Conductivity
- Density

These parameters must be set correctly in the software. They can be found in the component documents or they can be imported into the software from the configuration files issued for the DASYS components. In the direct measuring mode of the multimeter option, the parameters of the actual system setup are used. In the scan visualization and export modes, the parameters stored in the corresponding document files are used.

The first step of the evaluation is a linearization of the filtered input signal to account for the compression characteristics of the detector diode. The compensation depends on the input signal, the diode type and the DC-transmission factor from the diode to the evaluation electronics.

If the exciting field is pulsed, the crest factor of the signal must be known to correctly compensate for peak power. The formula for each channel can be given as:

$$V_i = U_i + U_i^2 \cdot c f / dcp_i$$

With V_i = compensated signal of channel i ($i = x, y, z$)

U_i = input signal of channel i ($i = x, y, z$)

cf = crest factor of exciting field (DASY parameter)

dcp_i = diode compression point (DASY parameter)

From the compensated input signals the primary field data for each channel can be evaluated:

E-field probes: $E_i = (V_i / Norm_i \cdot ConvF)^{1/2}$

H-field probes: $H_i = (V_i)^{1/2} \cdot (a_{i0} + a_{i1} f + a_{i2} f^2) / f$

With **V_i** = compensated signal of channel i (i = x, y, z)

Norm_i = sensor sensitivity of channel i (i = x, y, z)

[mV/(V/m)²] for E-field Probes

ConvF = sensitivity enhancement in solution

a_{ij} = sensor sensitivity factors for H-field probes

f = carrier frequency [GHz]

E_i = electric field strength of channel i in V/m

H_i = magnetic field strength of channel i in A/m

The RSS value of the field components gives the total field strength (Hermitian magnitude):

$E_{tot} = (E_x^2 + E_y^2 + E_z^2)^{1/2}$

The primary field data are used to calculate the derived field units.

SAR = (E_{tot})² · σ / (ρ · 1000)

with **SAR** = local specific absorption rate in mW/g

E_{tot} = total field strength in V/m

σ = conductivity in [mho/m] or [Siemens/m]

ρ = equivalent tissue density in g/cm³

Note that the density is normally set to 1 (or 1.06), to account for actual brain density rather than the density of the simulation liquid. The power flow density is calculated assuming the excitation field to be a free space field.

P_{pwe} = E_{tot}² / 3770 or P_{pwe} = H_{tot}² · 37.7

with **P_{pwe}** = equivalent power density of a plane wave in mW/cm²

E_{tot} = total electric field strength in V/m ; **H_{tot}** = total magnetic field strength in A/m

9.7 TISSUE-EQUIVALENT LIQUID

9.7.1 Tissue-equivalent Liquid Ingredients

The liquid is consisted of water, salt and Glycol. The liquid has previously been proven to be suited for worst-case. The Table 2 & 3 shows the detail solution. It's satisfying the latest tissue dielectric parameters requirements proposed by the KDB 865664 D01.

Table 2: Recommended Dielectric Performance of Tissue

Recommended Dielectric Performance of Tissue												
Ingredients (% by weight)	Frequency (MHz)											
	750		835		1800		1900		2450		2600	
Tissue Type	Head	Body	Head	Body	Head	Body	Head	Body	Head	Body	Head	Body
Water	40.52	51.83	41.46	52.4	55.2	70.2	54.9	40.4	62.7	73.2	54.8	68.1
Salt (Nacl)	1.61	1.52	1.45	1.4	0.3	0.4	0.18	0.5	0.5	0.04	0.1	0.01
Sugar	57.67	46.45	56.0	45.0	0.0	0.0	0.0	58.0	0.0	0.0	0.0	0.0
HEC	0.1	0.1	1.0	1.0	0.0	0.0	0.0	1.0	0.0	0.0	0.0	0.0
Bactericide	0.1	0.1	0.1	0.1	0.0	0.0	0.0	0.1	0.0	0.0	0.0	0.0
Triton x-100	0.0	0.0	0.0	0.0	0.0	0.0	0.0	0.0	36.8	0.0	0.0	0.0
DGBE	0.0	0.0	0.0	0.0	44.5	29.4	44.92	0.0	0.0	26.4	45.1	31.8
Dielectric Constant	40.93	54.32	42.54	56.1	40.0	53.3	39.9	54.0	39.8	52.5	39.0	52.5
Conductivity (s/m)	0.87	0.95	0.91	0.95	1.40	1.52	1.42	1.45	1.88	1.78	1.96	2.15

9.7.2 Tissue-equivalent Liquid Properties

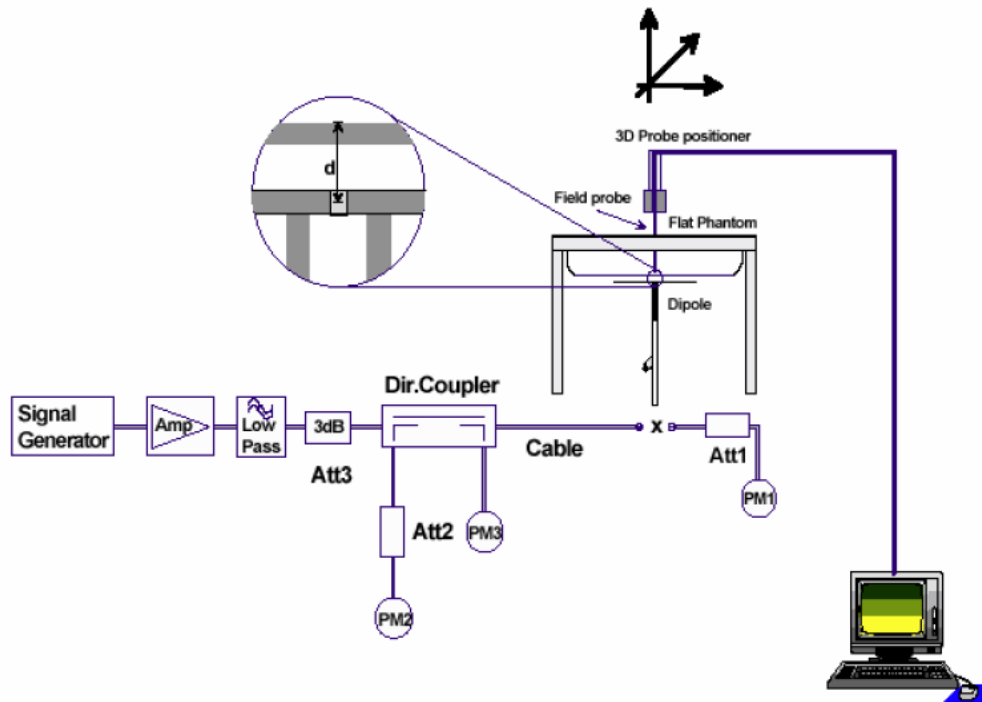
Table 3: Dielectric Performance of Head Tissue Simulating Liquid

Temperature: 21°C Relative humidity: 57%				
Frequency (MHz)	Measured Date	Description	Dielectric Parameters	
			ϵ_r	σ (s/m)
750	February 24,2022	Target Value ±5% window	41.90 39.805 — 43.995	0.89 0.845 — 0.935
		Measurement Value	41.86	0.90
835	February 25,2022	Target Value ±5% window	41.50 39.43 — 43.58	0.90 0.855 — 0.945
		Measurement Value	41.50	0.89
1750	February 26,2022	Target Value ±5% window	40.10 38.095 — 42.105	1.37 1.302 — 1.439
		Measurement Value	40.02	1.38
1900	February 27,2022	Target Value ±5% window	40.00 38.00 — 42.00	1.40 1.33 — 1.47
		Measurement Value	39.75	1.45
2450	February 28,2022	Target Value ±5% window	39.2 37.24 — 41.16	1.80 1.71 — 1.89
		Measurement Value	37.97	1.88
2600	February 28,2022	Target Value ±5% window	39.0 37.05 — 40.95	1.96 1.87 — 2.05
		Measurement Value	39.53	2.02

9.8 SYSTEM CHECK

9.8.1 Description of System Check

The manufacturer calibrates the probes annually. Dielectric parameters of the tissue simulants were measured every day using the dielectric probe kit and the network analyzer. A system check measurement was made following the determination of the dielectric parameters of the simulant, using the dipole validation kit. A power level of 250 mW was supplied to the dipole antenna, which was placed under the flat section of the twin SAM phantom. The system check results (dielectric parameters and SAR values) are given in the table 5. System check results have to be equal or near the values determined during dipole calibration with the relevant liquids and test system ($\pm 10\%$). System check is performed regularly on all frequency bands where tests are performed with the DASYS system.



Picture 10. System Check Set-up

Justification for Extended SAR Dipole Calibrations

Usage of SAR dipoles calibrated less than 3 years ago but more than 1 year ago were confirmed in maintaining return loss (< -20 dB, within 20% of prior calibration) and impedance (within 5 ohm from prior calibration) requirements per extended calibrations in KDB 865664 D01:

9.8.2 System Check Results

Table 4: System Check for Simulating Liquid

Measurement Date	Frequency (MHz)	Liquid Type (head/body)	1W Target SAR10g (W/kg)	Measured SAR10g (W/kg)	1W Normalized SAR10g (W/kg)	Limit (±10% Deviation)
Feb 24,2022	750	head	5.80	1.45	5.80	0.00
Feb 25,2022	835	head	6.25	1.67	6.68	6.88
Feb 26,2022	1750	head	19.30	5.02	20.08	4.04
Feb 27,2022	1900	head	20.10	4.7	18.80	-6.47
Feb 28,2022	2450	head	23.90	6.1	24.40	2.09
Feb 28,2022	2600	head	24.70	5.97	23.88	-3.32

Note: system check input power: 250mW.

10 MEASUREMENT PROCEDURES

10.1 GENERAL DESCRIPTION OF TEST PROCEDURES

A communication link is set up with a System Simulator (SS) by air link, and a call is established. Then EUT is commanded to operate at maximum transmitting power.

Connection to the EUT is established via air interface with CMU 200, and the EUT is set to maximum output power. The EUT battery must be fully charged and checked periodically during the test to ascertain uniform power output. The antenna connected to the output of the base station simulator shall be placed at least 50 cm away from the EUT. The signal transmitted by the simulator to the antenna feeding point shall be lower than the output power level of the EUT by at least 30 dB.

10.2 MEASUREMENT VARIABILITY

Per FCC KDB Publication 865664 D01, SAR measurement variability was assessed for each frequency band, which was determined by the SAR probe calibration point and tissue-equivalent medium used for the device measurements. When both head and body tissue-equivalent media were required for SAR measurements in a frequency band, the variability measurement procedures were applied to the tissue medium with the highest measured SAR, using the highest measured SAR configuration for that tissue-equivalent medium. These additional measurements were repeated after the completion of all measurements requiring the same head or body tissue-equivalent medium in a frequency band. The test device was returned to ambient conditions (normal room temperature) with the battery fully charged before it was re-mounted on the device holder for the repeated measurement(s) to minimize any unexpected variations in the repeated results.

SAR Measurement Variability was assessed using the following procedures for each frequency band:

- 1) Repeated measurement is not required when the original highest measured SAR is < 2.0 W/kg; steps 2) through 4) do not apply.
- 2) When the original highest measured SAR is ≥ 2.0 W/kg, repeat that measurement once.
- 3) Perform a second repeated measurement only if the ratio of largest to smallest SAR for the original and first repeated measurements is > 3.00 or when the original or repeated measurement is ≥ 3.625 W/kg ($\sim 10\%$ from the 10-g SAR limit).
- 4) Perform a third repeated measurement only if the original, first or second repeated measurement is ≥ 3.75 W/kg and the ratio of largest to smallest SAR for the original, first and second repeated measurements is > 3.0 .

10.3 TEST COFIGURATION

10.3.1 GSM Test Configuration

SAR tests for GSM 850 and GSM 1900, a communication link is set up with a System Simulator (SS) by air link. Using CMU200 the power level is set to "5" for GSM 850, set to "0" for GSM 1900. Since the GPRS class is 12 for this EUT, it has at most 4 timeslots in uplink and at most 4 timeslots in downlink, the maximum total timeslots is 5.

10.3.2 UMTS Test Configuration

10.3.2.1 3G SAR Test Reduction Procedure

In the following procedures, the mode tested for SAR is referred to as the primary mode. The equivalent modes considered for SAR test reduction are denoted as secondary modes. Both primary and secondary modes must be in the same frequency band. When the maximum output power and tune-up tolerance specified for production units in a secondary mode is $\leq \frac{1}{4}$ dB higher than the primary mode or when the highest reported SAR of the primary mode is scaled by the ratio of specified maximum output power and tune-up tolerance of secondary to primary mode and the adjusted SAR is ≤ 1.2 W/kg, SAR measurement is not required for the secondary mode. This is referred to as the 3G SAR test reduction procedure in the following SAR test guidance, where the primary mode is identified in the applicable wireless mode test procedures and the secondary mode is wireless mode being considered for SAR test reduction by that procedure. When the 3G SAR test reduction procedure is not satisfied, it is identified as "otherwise" in the applicable procedures; SAR measurement is required for the secondary mode.

10.3.2.2 Output power Verification

Maximum output power is verified on the high, middle and low channels according to procedures described in section 5.2 of 3GPP TS 34.121, using the appropriate RMC or AMR with TPC (transmit power control) set to all "1's" for WCDMA/HSDPA or by applying the required inner loop power control procedures to maintain maximum output power while HSUPA is active. Results for all applicable physical channel configurations (DPCCH, DPDCHn and spreading codes, HSDPA, HSPA) are required in the SAR report. All configurations that are not supported by the handset or cannot be measured due to technical or equipment limitations must be clearly identified.

10.3.2.3 Limb Accessory SAR

SAR for Limb accessory configurations is measured using a 12.2 kbps RMC with TPC bits configured to all "1's". The 3G SAR test reduction procedure is applied to other spreading codes and multiple DPDCHn configurations supported by the handset with 12.2 kbps RMC as the primary mode. Otherwise, SAR is measured using an applicable RMC configuration with the corresponding spreading code or DPDCHn, for the highest reported Limb accessory exposure SAR configuration in 12.2 kbps RMC. When more than 2 DPDCHn are supported by the handset, it may be necessary to configure additional DPDCHn using FTM (Factory Test Mode) or other chipset based test approaches with parameters similar to those used in 384 kbps and 768 kbps RMC.

10.3.3 LTE Test Configuration

This device contains LTE transmitter which follows 3GPP standards, is category 3, supports both QPSK and 16QAM modulations. The output power was tested per 3GPP TS 36.521-1 maximum transmit procedures for both QPSK and 16QAM modulation.

During LTE SAR testing, the related parameters of operating band, channel bandwidth, uplink channel number, modulation type, and RB was set in base station simulator. When the EUT has registered and communicated to base station simulator, the simulator set to make EUT transmitting the maximum radiated power.

10.3.3.1 General

The general test requirements of VoIP support for handsets are described in KDB Publication 648474 D04. The head, body, body-worn accessories and other required test considerations in KDB Publication 447498 D01 and other published RF exposure KDB procedures should be applied to configure LTE devices for standalone and simultaneous transmission in voice and data modes for the required exposure conditions.

Based on the design specifications and other information available from the device manufacturer, typically through measurement and analysis during product development, when the maximum output power specifications for the different RB allocations and RB offset conditions within a channel bandwidth, modulation, or across the channels in a frequency band varies by more than 1 dB, a KDB inquiry is required to determine whether the required test channels are acceptable for SAR testing or if a different set of required test channels should be used. The maximum average conducted output power measured according to the following configurations, for the required test channels, channel bandwidths and uplink modulations, in each frequency band, are used to support the SAR test reduction and exclusion.

a) 100% RB allocation

b) 1 RB, and also 50% RB allocation, offset to the upper edge, middle, and lower edge of the channel bandwidth of each required test channel

Based on the power measurements, the SAR test reduction and exclusion provisions in KDB Publication 447498 D01 should be applied to determine SAR measurement requirements. SAR is evaluated separately according to the following procedures for the different test positions in each exposure condition – head, body, body-worn accessories, and other use conditions. The configurations and conditions that qualify for SAR test exclusion or require testing must be clearly explained in the SAR report. The procedures in the following subsections are applied separately to test each LTE frequency band. SAR must be measured with the maximum TTI (transmit time interval) supported by the device in each LTE configuration. The TTI configurations supported and tested must be described in the SAR report.

10.3.3.2 Largest channel bandwidth standalone SAR test requirements

1. QPSK with 1 RB allocation

Start with the largest channel bandwidth then measure SAR for QPSK with 1 RB allocation, using the RB offset and required test channel combination with the highest maximum output power among RB offsets at the upper edge, middle, and lower edge of each required test channel. When the reported SAR is ≤ 2.0 W/kg, testing of the remaining RB offset configurations and required test channels is not required for 1 RB allocation; otherwise, SAR is required for the remaining required test channels and only for the RB offset configuration with the highest output power for that channel. When the reported SAR of a required test channel is > 3.625 W/kg, SAR is required for all three RB offset configurations for that required test channel.

2. QPSK with 50% RB allocation

The procedures required for 1 RB allocation in 5.2.1 are applied to measure the SAR for QPSK with 50% RB allocation.

3. QPSK with 100% RB allocation

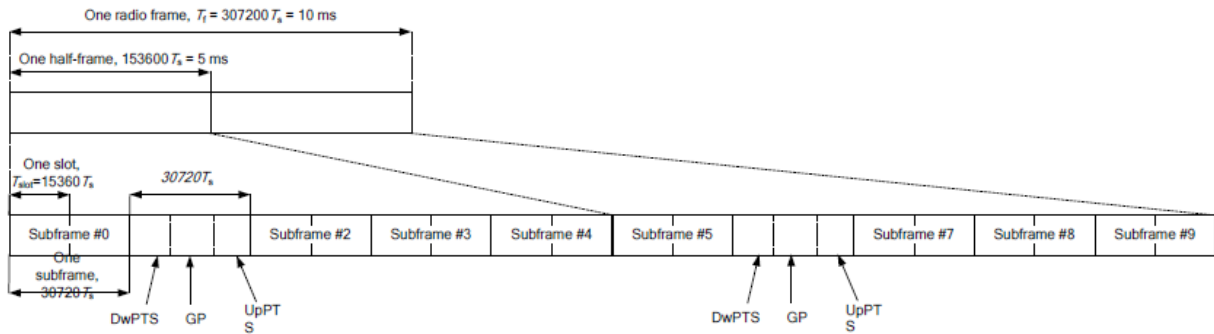
For QPSK with 100% RB allocation, SAR is not required when the highest maximum output power for 100 % RB allocation is less than the highest maximum output power in 50% and 1 RB allocations, and the highest reported SAR for 1 RB and 50% RB allocation in 5.2.1 and 5.2.2 are ≤ 2.0 W/kg. Otherwise, SAR is measured for the highest output power channel; and if the reported SAR is > 3.625 W/kg, the remaining required test channels must also be tested.

4. Higher order modulations

For each modulation besides QPSK; e.g., 16-QAM, 64-QAM, apply the QPSK procedures in 5.2.1, 5.2.2, and 5.2.3 to determine the QAM configurations that may need SAR measurement. For each configuration identified as required for testing, SAR is required only when the highest maximum output power for the configuration in the higher order modulation is $> \frac{1}{2}$ dB higher than the same configuration in QPSK or when the reported SAR for the QPSK configuration is > 3.625 W/kg.

10.3.3.3 TDD-LTE test configurations

According to KDB 941225 D05, SAR testing for TDD-LTE device must be tested using a fixed periodic duty factor according to the highest transmission duty factor implemented for the device and supported by the defined 3GPP TDD-LTE configurations. The TDD-LTE of this device supports frame structure type 2 defined in 3GPP TS 36.211 section 4.2, and the frame structure configuration can be referred to below.



3GPP TS 36.211 Figure 4.2-1: Frame Structure Type 2

Special Subframe Configuration	Normal Cyclic Prefix in Downlink			Extended Cyclic Prefix in Downlink		
	DwPTS	UpPTS		DwPTS	UpPTS	
		Normal Cyclic Prefix in Uplink	Extended Cyclic Prefix in Uplink		Normal Cyclic Prefix in Uplink	Extended Cyclic Prefix in Uplink
0	6592 · Ts	2192 · Ts	2560 · Ts	7680 · Ts	2192 · Ts	2560 · Ts
1	19760 · Ts			20480 · Ts		
2	21952 · Ts			23040 · Ts		
3	24144 · Ts			25600 · Ts		
4	26336 · Ts			7680 · Ts		
5	6592 · Ts	4384 · Ts	5120 · Ts	20480 · Ts	4384 · Ts	5120 · Ts
6	19760 · Ts			23040 · Ts		
7	21952 · Ts			12800 · Ts		
8	24144 · Ts			-		
9	13168 · Ts	-	-	-	-	-

3GPP TS 36.211 Table 4.2-1: Configuration of Special Subframe

Uplink-Downlink Configuration	Downlink-to-Uplink Switch-Point Periodicity	Subframe Number									
		0	1	2	3	4	5	6	7	8	9
0	5 ms	D	S	U	U	U	D	S	U	U	U
1	5 ms	D	S	U	U	D	D	S	U	U	D
2	5 ms	D	S	U	D	D	D	S	U	D	D
3	10 ms	D	S	U	U	U	D	D	D	D	D
4	10 ms	D	S	U	U	D	D	D	D	D	D
5	10 ms	D	S	U	D	D	D	D	D	D	D
6	5 ms	D	S	U	U	U	D	S	U	U	D

3GPP TS 36.211 Table 4.2-2: Uplink-Downlink Configurations

The variety of different TD-LTE uplink-downlink configurations allows a network operator to allocate the network’s capacity between uplink and downlink traffic to meet the needs of the network. The uplink duty cycle of these seven configurations can readily be computed and shown in below.

UL-DL Configuration	0	1	2	3	4	5	6
Highest Duty-Cycle	63.33%	43.33%	23.33%	31.67%	21.67%	11.67%	53.33%

Considering the highest transmission duty cycle, TDD-LTE was tested using Uplink-Downlink Configuration 0 with 6 uplink subframe and 2 special subframe. The special subframe was set to special subframe configuration 7 using extended cyclic prefix uplink. Therefore, SAR testing for TDD-LTE was performed at the maximum output power with highest transmission duty cycle of 63.33%.

11 TEST RESULTS

11.1.1.1 Conducted Power Results

Test Condition:

1. Conducted Measurement
EUT was set for low, mid, high channel with modulated mode and highest RF output power.
The base station simulator was connected to the antenna terminal.
2. Conducted Emissions Measurement Uncertainty
All test measurements carried out are traceable to national standards. The uncertainty of the measurement at a confidence level of approximately 95% (in the case where distributions are normal), with a coverage factor of 2, in the range 30MHz – 40GHz is ±1.5dB.
3. Environmental Conditions

Temperature	22°C
Relative Humidity	55%
Atmospheric Pressure	1009mbar
4. Test Date: 20 February 2022
Tested By: Allen Qin

Test Procedures:

Agricultural Control Stick output power measurement

1. The transmitter output port was connected to base station emulator.
2. Establish communication link between emulator and EUT and set EUT to operate at maximum output power all the time.
3. Select lowest, middle, and highest channels for each band and different possible test mode.
4. Measure the conducted peak burst power and conducted average burst power from EUT antenna port.

Other radio output power measurement:

The output power was measured using power meter at low, mid, and hi channels.

Source-based Time Averaged Burst Power Calculation:

For TDMA, the following duty cycle factor was used to calculate the source-based time average power

Number of Time slot	1	2	3	4
Duty Cycle	1:8	1:4	1:2.66	1:2
Duty cycle factor	-9.03 dB	-6.02 dB	-4.26 dB	-3.01 dB
Crest Factor	8	4	2.66	2

Remark: *Time slot duty cycle factor = 10 * log (Time Slot Duty Cycle)*

Source based time averaged power = Maximum burst averaged power (1 Uplink) – 9.03 dB

Source based time averaged power = Maximum burst averaged power (2 Uplink) – 6.02 dB

Source based time averaged power = Maximum burst averaged power (3 Uplink) – 4.26 dB

Source based time averaged power = Maximum burst averaged power (4 Uplink) – 3.01 dB

Burst Average Power (dBm);								
Band	GSM850				PCS1900			
Channel	128	190	251	Tune up Power tolerant	512	661	810	Tune up Power tolerant
Frequency	824.2	836.6	848.8	/	1850.2	1880	1909.8	/
GPRS 1 slots	32.49	32.86	32.59	32.5±1	30.06	29.95	29.9	29.5±1
GPRS 2 slots	30.91	31.05	31.03	30.5±1	28.4	28.4	28.37	28±1
GPRS 3 slots	29.62	29.88	29.79	29.5±1	27.13	27.16	27.21	27±1
GPRS 4 slots	28.59	28.80	28.55	28±1	25.81	25.86	25.85	25±1
EGPRS 1 slots	26.80	26.94	26.74	26±1	26.88	26.87	26.88	26±1
EGPRS 2 slots	25.68	25.89	25.67	25±1	25.72	25.77	25.76	25.5±1
EGPRS 3 slots	24.04	24.28	24.07	24±1	24.22	24.23	24.19	25±1
EGPRS 4 slots	22.89	23.14	22.95	22.5±1	23.01	23.03	23.09	23±1
Remark: GPRS, CS1 coding scheme. EGPRS, MCS5 coding scheme. Multi 1 Slot, Support Max 4 downlink, 1 uplink, 5 working link Multi 2 Slots, Support Max 4 downlink, 2 uplink, 5 working link Multi 3 Slots, Support Max 4 downlink, 3 uplink, 5 working link Multi 4 Slots, Support Max 4 downlink, 4 uplink, 5 working link								

Source Based time Average Power (dBm)								
Band	GSM850				PCS1900			
Channel	128	190	251	Time Average factor	512	661	810	Time Average factor
Frequency	824.2	836.6	848.8	/	1850.2	1880	1909.8	/
GPRS 1 slots	23.46	23.83	23.56	-9.03	21.03	20.92	20.87	-9.03
GPRS 2 slots	24.89	25.03	25.01	-6.02	22.38	22.38	22.35	-6.02
GPRS 3 slots	25.36	25.62	25.53	-4.26	22.87	22.9	22.95	-4.26
GPRS 4 slots	25.58	25.79	25.54	-3.01	22.8	22.85	22.84	-3.01
EGPRS 1 slots	17.77	17.91	17.71	-9.03	17.85	17.84	17.85	-9.03
EGPRS 2 slots	19.66	19.87	19.65	-6.02	19.7	19.75	19.74	-6.02
EGPRS 3 slots	19.78	20.02	19.81	-4.26	19.96	19.97	19.93	-4.26
EGPRS 4 slots	19.88	20.13	19.94	-3.01	20	20.02	20.08	-3.01
Remark: Time average factor = 1 uplink , $10 \cdot \log(1/8) = -9.03\text{dB}$, 2 uplink , $10 \cdot \log(2/8) = -6.02\text{dB}$, 3 uplink , $10 \cdot \log(3/8) = -4.26\text{dB}$, 4 uplink , $10 \cdot \log(4/8) = -3.01\text{dB}$ Source based time average power = Burst Average power + Time Average factor								

Note:

- 1, GSM 850: DUT was set in GPRS(4Tx slots) due to the Maximum source-base time average output power for Limb SAR.
- 2, GSM 1900: DUT was set in EGPRS(3Tx slots) due to the Maximum source-base time average output power for Limb SAR.

WCDMA - Average Power (dBm)								
Band	WCDMA Band II				WCDMA Band IV			
Channel	9262	9400	9538	Tune up Power tolerant	1312	1413	1513	Tune up Power tolerant
Frequency (MHz)	1852.4	1880	1907.6	/	1712.4	1732.6	1752.6	/
RMC 12.2k	23.34	23.34	23.30	22.5±1	23.92	23.80	23.69	23.5±1
HSDPA Subtest-1	22.23	22.23	22.16	22.5±1	22.93	22.87	22.77	22.5±1
HSDPA Subtest-2	22.13	22.02	21.99	22.5±1	22.63	22.52	22.43	22.5±1
HSDPA Subtest-3	22.07	22.00	21.97	22.5±1	22.61	22.51	22.39	22.5±1
HSDPA Subtest-4	22.06	22.01	21.96	22.5±1	22.73	22.62	22.50	22.5±1
HSUPA Subtest-1	22.43	22.21	22.30	22±1	23.03	22.43	22.83	22.5±1
HSUPA Subtest-2	21.70	21.08	21.44	21±1	21.73	21.87	21.95	21±1
HSUPA Subtest-3	20.78	20.99	21.08	21±1	21.88	21.92	21.10	21±1
HSUPA Subtest-4	21.40	21.54	21.51	21±1	22.27	22.56	22.01	22±1
HSUPA Subtest-5	22.48	22.44	22.53	22±1	23.09	23.07	22.95	22±1

LTE Power Reduction

The following tests were conducted according to the test requirements outlined in section 6.2 of the 3GPP TS36.101 specification.

The allowed Maximum Power Reduction (MPR) for the maximum output power due to higher order modulation and transmit bandwidth configuration (resource blocks) is specified in Table 6.2.3-1 of the 3GPP TS36.101.

Table 6.2.3-1: Maximum Power Reduction (MPR) for Power Class 3

Modulation	Channel bandwidth / Transmission bandwidth (RB)						MPR (dB)
	1.4 MHz	3.0 MHz	5 MHz	10 MHz	15 MHz	20 MHz	
QPSK	>5	>4	>8	>12	>16	>18	≤ 1
16 QAM	≤ 5	≤ 4	≤ 8	≤ 12	≤ 16	≤ 18	≤ 1
16 QAM	>5	>4	>8	>12	>16	>18	≤ 2

The allowed A-MPR values specified below in Table 6.2.4.-1 of 3GPP TS36.101 are in addition to the allowed MPR requirements. All the measurements below were performed with A-MPR disabled, by using Network Signalling Value of “NS_01”.

Table 6.2.4-1: Additional Maximum Power Reduction (A-MPR)

Network Signalling value	Requirements (sub-clause)	E-UTRA Band	Channel bandwidth (MHz)	Resources Blocks (N_{RB})	A-MPR (dB)
NS_01	6.6.2.1.1	Table 5.5-1	1.4, 3, 5, 10, 15, 20	Table 5.6-1	NA
NS_03	6.6.2.2.1	2, 4, 10, 23, 25, 35, 36	3	>5	≤ 1
			5	>6	≤ 1
			10	>6	≤ 1
			15	>8	≤ 1
			20	>10	≤ 1
NS_04	6.6.2.2.2	41	5	>6	≤ 1
			10, 15, 20	See Table 6.2.4-4	
NS_05	6.6.3.3.1	1	10,15,20	≥ 50	≤ 1
NS_06	6.6.2.2.3	12, 13, 14, 17	1.4, 3, 5, 10	Table 5.6-1	n/a
NS_07	6.6.2.2.3	13	10	Table 6.2.4-2	Table 6.2.4-2
	6.6.3.3.2				
NS_08	6.6.3.3.3	19	10, 15	> 44	≤ 3
NS_09	6.6.3.3.4	21	10, 15	> 40	≤ 1
				> 55	≤ 2
NS_10		20	15, 20	Table 6.2.4-3	Table 6.2.4-3
NS_11	6.6.2.2.1	23 ¹	1.4, 3, 5, 10	Table 6.2.4-5	Table 6.2.4-5
..					
NS_32	-	-	-	-	-

Note 1: Applies to the lower block of Band 23, i.e. a carrier placed in the 2000-2010 MHz region.

Band	Bandwidth	Modulation	Channel	RB Configuration	Average Power (dbm)	Tune up Limited (dBm)	MPR (dB)
Band2	1.4MHz	QPSK	18607	1RB#0	23.4	22.5±1	/
Band2	1.4MHz	QPSK	18607	1RB#2	23.31	22.5±1	/
Band2	1.4MHz	QPSK	18607	1RB#5	23.13	22.5±1	/
Band2	1.4MHz	QPSK	18607	3RB#0	23.29	22.5±1	/
Band2	1.4MHz	QPSK	18607	3RB#1	23.25	22.5±1	/
Band2	1.4MHz	QPSK	18607	3RB#3	23.22	22.5±1	/
Band2	1.4MHz	QPSK	18607	6RB#0	22.15	22.5±1	/
Band2	1.4MHz	QPSK	18900	1RB#0	22.67	22.5±1	/
Band2	1.4MHz	QPSK	18900	1RB#2	22.77	22.5±1	/
Band2	1.4MHz	QPSK	18900	1RB#5	22.56	22.5±1	/
Band2	1.4MHz	QPSK	18900	3RB#0	22.73	22.5±1	/
Band2	1.4MHz	QPSK	18900	3RB#1	22.6	22.5±1	/
Band2	1.4MHz	QPSK	18900	3RB#3	22.7	22.5±1	/
Band2	1.4MHz	QPSK	18900	6RB#0	21.79	22.5±1	/
Band2	1.4MHz	QPSK	19193	1RB#0	23.23	22.5±1	/
Band2	1.4MHz	QPSK	19193	1RB#2	23.04	22.5±1	/
Band2	1.4MHz	QPSK	19193	1RB#5	23	22.5±1	/
Band2	1.4MHz	QPSK	19193	3RB#0	23.14	22.5±1	/
Band2	1.4MHz	QPSK	19193	3RB#1	23.19	22.5±1	/
Band2	1.4MHz	QPSK	19193	3RB#3	23.01	22.5±1	/
Band2	1.4MHz	QPSK	19193	6RB#0	22.08	22.5±1	/
Band2	1.4MHz	16QAM	18607	1RB#0	22.67	22±1	/
Band2	1.4MHz	16QAM	18607	1RB#2	22.73	22±1	/
Band2	1.4MHz	16QAM	18607	1RB#5	22.45	22±1	/
Band2	1.4MHz	16QAM	18607	3RB#0	22.16	22±1	/
Band2	1.4MHz	16QAM	18607	3RB#1	22.2	22±1	/
Band2	1.4MHz	16QAM	18607	3RB#3	22.01	22±1	/
Band2	1.4MHz	16QAM	18607	6RB#0	21.35	22±1	/
Band2	1.4MHz	16QAM	18900	1RB#0	21.56	22±1	/
Band2	1.4MHz	16QAM	18900	1RB#2	21.84	22±1	/
Band2	1.4MHz	16QAM	18900	1RB#5	21.64	22±1	/
Band2	1.4MHz	16QAM	18900	3RB#0	21.73	22±1	/
Band2	1.4MHz	16QAM	18900	3RB#1	21.8	22±1	/
Band2	1.4MHz	16QAM	18900	3RB#3	21.7	22±1	/
Band2	1.4MHz	16QAM	18900	6RB#0	20.78	21±1	1
Band2	1.4MHz	16QAM	19193	1RB#0	22.51	22±1	/
Band2	1.4MHz	16QAM	19193	1RB#2	22.63	22±1	/
Band2	1.4MHz	16QAM	19193	1RB#5	22.48	22±1	/
Band2	1.4MHz	16QAM	19193	3RB#0	22.09	22±1	/
Band2	1.4MHz	16QAM	19193	3RB#1	22.23	22±1	/
Band2	1.4MHz	16QAM	19193	3RB#3	22.02	22±1	/

Band	Bandwidth	Modulation	Channel	RB Configuration	Average Power (dbm)	Tune up Limited (dBm)	MPR (dB)
Band2	1.4MHz	16QAM	19193	6RB#0	21.22	22±1	/
Band2	3MHz	QPSK	18615	1RB#0	23.17	22.5±1	/
Band2	3MHz	QPSK	18615	1RB#8	23.01	22.5±1	/
Band2	3MHz	QPSK	18615	1RB#14	23.2	22.5±1	/
Band2	3MHz	QPSK	18615	8RB#0	22.32	22.5±1	/
Band2	3MHz	QPSK	18615	8RB#4	22.33	22.5±1	/
Band2	3MHz	QPSK	18615	8RB#7	22.12	22.5±1	/
Band2	3MHz	QPSK	18615	15RB#0	22.16	22.5±1	/
Band2	3MHz	QPSK	18900	1RB#0	22.81	22.5±1	/
Band2	3MHz	QPSK	18900	1RB#8	22.56	22.5±1	/
Band2	3MHz	QPSK	18900	1RB#14	22.65	22.5±1	/
Band2	3MHz	QPSK	18900	8RB#0	21.77	22.5±1	/
Band2	3MHz	QPSK	18900	8RB#4	21.68	22.5±1	/
Band2	3MHz	QPSK	18900	8RB#7	21.64	22.5±1	/
Band2	3MHz	QPSK	18900	15RB#0	21.72	22.5±1	/
Band2	3MHz	QPSK	19185	1RB#0	23.29	22.5±1	/
Band2	3MHz	QPSK	19185	1RB#8	23	22.5±1	/
Band2	3MHz	QPSK	19185	1RB#14	23	22.5±1	/
Band2	3MHz	QPSK	19185	8RB#0	22.15	22.5±1	/
Band2	3MHz	QPSK	19185	8RB#4	22.16	22.5±1	/
Band2	3MHz	QPSK	19185	8RB#7	22.17	22.5±1	/
Band2	3MHz	QPSK	19185	15RB#0	22.16	22.5±1	/
Band2	3MHz	16QAM	18615	1RB#0	22.5	22±1	/
Band2	3MHz	16QAM	18615	1RB#8	22.43	22±1	/
Band2	3MHz	16QAM	18615	1RB#14	22.06	22±1	/
Band2	3MHz	16QAM	18615	8RB#0	21.46	22±1	/
Band2	3MHz	16QAM	18615	8RB#4	21.44	22±1	/
Band2	3MHz	16QAM	18615	8RB#7	21.26	22±1	/
Band2	3MHz	16QAM	18615	15RB#0	21.18	22±1	/
Band2	3MHz	16QAM	18900	1RB#0	21.9	22±1	/
Band2	3MHz	16QAM	18900	1RB#8	21.8	22±1	/
Band2	3MHz	16QAM	18900	1RB#14	21.55	22±1	/
Band2	3MHz	16QAM	18900	8RB#0	20.89	21±1	1
Band2	3MHz	16QAM	18900	8RB#4	20.89	21±1	1
Band2	3MHz	16QAM	18900	8RB#7	20.85	21±1	1
Band2	3MHz	16QAM	18900	15RB#0	20.83	21±1	1
Band2	3MHz	16QAM	19185	1RB#0	22.28	22±1	/
Band2	3MHz	16QAM	19185	1RB#8	22.04	22±1	/
Band2	3MHz	16QAM	19185	1RB#14	22.33	22±1	/
Band2	3MHz	16QAM	19185	8RB#0	21.3	22±1	/
Band2	3MHz	16QAM	19185	8RB#4	21	22±1	/

Band	Bandwidth	Modulation	Channel	RB Configuration	Average Power (dbm)	Tune up Limited (dBm)	MPR (dB)
Band2	3MHz	16QAM	19185	8RB#7	21.07	22±1	/
Band2	3MHz	16QAM	19185	15RB#0	20.94	21±1	1
Band2	5MHz	QPSK	18625	1RB#0	23.18	22.5±1	/
Band2	5MHz	QPSK	18625	1RB#12	23.3	22.5±1	/
Band2	5MHz	QPSK	18625	1RB#24	23.03	22.5±1	/
Band2	5MHz	QPSK	18625	12RB#0	22.24	22.5±1	/
Band2	5MHz	QPSK	18625	12RB#6	22.34	22.5±1	/
Band2	5MHz	QPSK	18625	12RB#13	22.11	22.5±1	/
Band2	5MHz	QPSK	18625	25RB#0	22.17	22.5±1	/
Band2	5MHz	QPSK	18900	1RB#0	22.91	22.5±1	/
Band2	5MHz	QPSK	18900	1RB#12	22.75	22.5±1	/
Band2	5MHz	QPSK	18900	1RB#24	22.75	22.5±1	/
Band2	5MHz	QPSK	18900	12RB#0	21.74	22.5±1	/
Band2	5MHz	QPSK	18900	12RB#6	21.66	22.5±1	/
Band2	5MHz	QPSK	18900	12RB#13	21.52	22.5±1	/
Band2	5MHz	QPSK	18900	25RB#0	21.63	22.5±1	/
Band2	5MHz	QPSK	19175	1RB#0	23.03	22.5±1	/
Band2	5MHz	QPSK	19175	1RB#12	22.9	22.5±1	/
Band2	5MHz	QPSK	19175	1RB#24	22.93	22.5±1	/
Band2	5MHz	QPSK	19175	12RB#0	22.09	22.5±1	/
Band2	5MHz	QPSK	19175	12RB#6	22.06	22.5±1	/
Band2	5MHz	QPSK	19175	12RB#13	22.08	22.5±1	/
Band2	5MHz	QPSK	19175	25RB#0	21.98	22.5±1	/
Band2	5MHz	16QAM	18625	1RB#0	21.93	22±1	/
Band2	5MHz	16QAM	18625	1RB#12	21.92	22±1	/
Band2	5MHz	16QAM	18625	1RB#24	21.83	22±1	/
Band2	5MHz	16QAM	18625	12RB#0	21.25	22±1	/
Band2	5MHz	16QAM	18625	12RB#6	21.17	22±1	/
Band2	5MHz	16QAM	18625	12RB#13	21.1	22±1	/
Band2	5MHz	16QAM	18625	25RB#0	21.29	22±1	/
Band2	5MHz	16QAM	18900	1RB#0	22.03	22±1	/
Band2	5MHz	16QAM	18900	1RB#12	21.92	22±1	/
Band2	5MHz	16QAM	18900	1RB#24	21.72	22±1	/
Band2	5MHz	16QAM	18900	12RB#0	20.92	21±1	1
Band2	5MHz	16QAM	18900	12RB#6	20.74	21±1	1
Band2	5MHz	16QAM	18900	12RB#13	20.68	21±1	1
Band2	5MHz	16QAM	18900	25RB#0	20.71	21±1	1
Band2	5MHz	16QAM	19175	1RB#0	22.15	22±1	/
Band2	5MHz	16QAM	19175	1RB#12	22.09	22±1	/
Band2	5MHz	16QAM	19175	1RB#24	22.12	22±1	/
Band2	5MHz	16QAM	19175	12RB#0	20.97	21±1	1

Band	Bandwidth	Modulation	Channel	RB Configuration	Average Power (dbm)	Tune up Limited (dBm)	MPR (dB)
Band2	5MHz	16QAM	19175	12RB#6	20.93	21±1	1
Band2	5MHz	16QAM	19175	12RB#13	21.14	22±1	/
Band2	5MHz	16QAM	19175	25RB#0	21.08	22±1	/
Band2	10MHz	QPSK	18650	1RB#0	23.08	22.5±1	/
Band2	10MHz	QPSK	18650	1RB#24	23.19	22.5±1	/
Band2	10MHz	QPSK	18650	1RB#49	23.09	22.5±1	/
Band2	10MHz	QPSK	18650	25RB#0	22.26	22.5±1	/
Band2	10MHz	QPSK	18650	25RB#12	22.28	22.5±1	/
Band2	10MHz	QPSK	18650	25RB#25	22.14	22.5±1	/
Band2	10MHz	QPSK	18650	50RB#0	22.2	22.5±1	/
Band2	10MHz	QPSK	18900	1RB#0	22.68	22.5±1	/
Band2	10MHz	QPSK	18900	1RB#24	22.91	22.5±1	/
Band2	10MHz	QPSK	18900	1RB#49	22.73	22.5±1	/
Band2	10MHz	QPSK	18900	25RB#0	21.97	22.5±1	/
Band2	10MHz	QPSK	18900	25RB#12	21.89	22.5±1	/
Band2	10MHz	QPSK	18900	25RB#25	21.71	22.5±1	/
Band2	10MHz	QPSK	18900	50RB#0	21.68	22.5±1	/
Band2	10MHz	QPSK	19150	1RB#0	22.89	22.5±1	/
Band2	10MHz	QPSK	19150	1RB#24	23.09	22.5±1	/
Band2	10MHz	QPSK	19150	1RB#49	23.07	22.5±1	/
Band2	10MHz	QPSK	19150	25RB#0	22.09	22.5±1	/
Band2	10MHz	QPSK	19150	25RB#12	22.04	22.5±1	/
Band2	10MHz	QPSK	19150	25RB#25	22.08	22.5±1	/
Band2	10MHz	QPSK	19150	50RB#0	21.91	22.5±1	/
Band2	10MHz	16QAM	18650	1RB#0	22.24	22±1	/
Band2	10MHz	16QAM	18650	1RB#24	22.64	22±1	/
Band2	10MHz	16QAM	18650	1RB#49	22.13	22±1	/
Band2	10MHz	16QAM	18650	25RB#0	21.25	22±1	/
Band2	10MHz	16QAM	18650	25RB#12	21.37	22±1	/
Band2	10MHz	16QAM	18650	25RB#25	21.23	22±1	/
Band2	10MHz	16QAM	18650	50RB#0	21.17	22±1	/
Band2	10MHz	16QAM	18900	1RB#0	22.01	22±1	/
Band2	10MHz	16QAM	18900	1RB#24	22.42	22±1	/
Band2	10MHz	16QAM	18900	1RB#49	22.07	22±1	/
Band2	10MHz	16QAM	18900	25RB#0	21.01	22±1	/
Band2	10MHz	16QAM	18900	25RB#12	21.11	22±1	/
Band2	10MHz	16QAM	18900	25RB#25	20.97	21±1	1
Band2	10MHz	16QAM	18900	50RB#0	20.81	21±1	1
Band2	10MHz	16QAM	19150	1RB#0	22.29	22±1	/
Band2	10MHz	16QAM	19150	1RB#24	22.79	22±1	/
Band2	10MHz	16QAM	19150	1RB#49	22.59	22±1	/

Band	Bandwidth	Modulation	Channel	RB Configuration	Average Power (dbm)	Tune up Limited (dBm)	MPR (dB)
Band2	10MHz	16QAM	19150	25RB#0	21.18	22±1	/
Band2	10MHz	16QAM	19150	25RB#12	20.98	21±1	1
Band2	10MHz	16QAM	19150	25RB#25	21.22	22±1	/
Band2	10MHz	16QAM	19150	50RB#0	21.04	22±1	/
Band2	15MHz	QPSK	18675	1RB#0	23.23	22.5±1	/
Band2	15MHz	QPSK	18675	1RB#38	23.22	22.5±1	/
Band2	15MHz	QPSK	18675	1RB#74	23.14	22.5±1	/
Band2	15MHz	QPSK	18675	38RB#0	22.17	22.5±1	/
Band2	15MHz	QPSK	18675	38RB#18	22.16	22.5±1	/
Band2	15MHz	QPSK	18675	38RB#37	22.16	22.5±1	/
Band2	15MHz	QPSK	18675	75RB#0	22.15	22.5±1	/
Band2	15MHz	QPSK	18900	1RB#0	22.65	22.5±1	/
Band2	15MHz	QPSK	18900	1RB#38	22.65	22.5±1	/
Band2	15MHz	QPSK	18900	1RB#74	22.68	22.5±1	/
Band2	15MHz	QPSK	18900	38RB#0	21.85	22.5±1	/
Band2	15MHz	QPSK	18900	38RB#18	21.85	22.5±1	/
Band2	15MHz	QPSK	18900	38RB#37	21.85	22.5±1	/
Band2	15MHz	QPSK	18900	75RB#0	21.75	22.5±1	/
Band2	15MHz	QPSK	19125	1RB#0	22.93	22.5±1	/
Band2	15MHz	QPSK	19125	1RB#38	23.1	22.5±1	/
Band2	15MHz	QPSK	19125	1RB#74	23.04	22.5±1	/
Band2	15MHz	QPSK	19125	38RB#0	22.09	22.5±1	/
Band2	15MHz	QPSK	19125	38RB#18	22.02	22.5±1	/
Band2	15MHz	QPSK	19125	38RB#37	22.02	22.5±1	/
Band2	15MHz	QPSK	19125	75RB#0	22.02	22.5±1	/
Band2	15MHz	16QAM	18675	1RB#0	22.32	22±1	/
Band2	15MHz	16QAM	18675	1RB#38	22.92	22±1	/
Band2	15MHz	16QAM	18675	1RB#74	22.32	22±1	/
Band2	15MHz	16QAM	18675	38RB#0	22.16	22±1	/
Band2	15MHz	16QAM	18675	38RB#18	22.16	22±1	/
Band2	15MHz	16QAM	18675	38RB#37	22.15	22±1	/
Band2	15MHz	16QAM	18675	75RB#0	21.25	22±1	/
Band2	15MHz	16QAM	18900	1RB#0	21.93	22±1	/
Band2	15MHz	16QAM	18900	1RB#38	21.69	22±1	/
Band2	15MHz	16QAM	18900	1RB#74	21.89	22±1	/
Band2	15MHz	16QAM	18900	38RB#0	21.84	22±1	/
Band2	15MHz	16QAM	18900	38RB#18	21.85	22±1	/
Band2	15MHz	16QAM	18900	38RB#37	21.75	22±1	/
Band2	15MHz	16QAM	18900	75RB#0	20.88	21±1	1
Band2	15MHz	16QAM	19125	1RB#0	22.39	22±1	/
Band2	15MHz	16QAM	19125	1RB#38	22.28	22±1	/

Band	Bandwidth	Modulation	Channel	RB Configuration	Average Power (dbm)	Tune up Limited (dBm)	MPR (dB)
Band2	15MHz	16QAM	19125	1RB#74	22.61	22±1	/
Band2	15MHz	16QAM	19125	38RB#0	22.02	22±1	/
Band2	15MHz	16QAM	19125	38RB#18	22.02	22±1	/
Band2	15MHz	16QAM	19125	38RB#37	22.02	22±1	/
Band2	15MHz	16QAM	19125	75RB#0	20.98	21±1	1
Band2	20MHz	QPSK	18700	1RB#0	23.03	22.5±1	/
Band2	20MHz	QPSK	18700	1RB#49	23.5	22.5±1	/
Band2	20MHz	QPSK	18700	1RB#99	23.1	22.5±1	/
Band2	20MHz	QPSK	18700	50RB#0	22.15	22.5±1	/
Band2	20MHz	QPSK	18700	50RB#25	22.16	22.5±1	/
Band2	20MHz	QPSK	18700	50RB#50	22.22	22.5±1	/
Band2	20MHz	QPSK	18700	100RB#0	22.2	22.5±1	/
Band2	20MHz	QPSK	18900	1RB#0	22.8	22.5±1	/
Band2	20MHz	QPSK	18900	1RB#49	23.05	22.5±1	/
Band2	20MHz	QPSK	18900	1RB#99	22.89	22.5±1	/
Band2	20MHz	QPSK	18900	50RB#0	22.05	22.5±1	/
Band2	20MHz	QPSK	18900	50RB#25	22.01	22.5±1	/
Band2	20MHz	QPSK	18900	50RB#50	21.72	22.5±1	/
Band2	20MHz	QPSK	18900	100RB#0	21.93	22.5±1	/
Band2	20MHz	QPSK	19100	1RB#0	22.71	22.5±1	/
Band2	20MHz	QPSK	19100	1RB#49	23.2	22.5±1	/
Band2	20MHz	QPSK	19100	1RB#99	23.22	22.5±1	/
Band2	20MHz	QPSK	19100	50RB#0	21.97	22.5±1	/
Band2	20MHz	QPSK	19100	50RB#25	22.02	22.5±1	/
Band2	20MHz	QPSK	19100	50RB#50	22.02	22.5±1	/
Band2	20MHz	QPSK	19100	100RB#0	21.99	22.5±1	/
Band2	20MHz	16QAM	18700	1RB#0	22.29	22±1	/
Band2	20MHz	16QAM	18700	1RB#49	22.69	22±1	/
Band2	20MHz	16QAM	18700	1RB#99	22.1	22±1	/
Band2	20MHz	16QAM	18700	50RB#0	21.26	22±1	/
Band2	20MHz	16QAM	18700	50RB#25	21.26	22±1	/
Band2	20MHz	16QAM	18700	50RB#50	21.33	22±1	/
Band2	20MHz	16QAM	18700	100RB#0	21.21	22±1	/
Band2	20MHz	16QAM	18900	1RB#0	22.29	22±1	/
Band2	20MHz	16QAM	18900	1RB#49	22.62	22±1	/
Band2	20MHz	16QAM	18900	1RB#99	22.25	22±1	/
Band2	20MHz	16QAM	18900	50RB#0	21.04	22±1	/
Band2	20MHz	16QAM	18900	50RB#25	21	22±1	/
Band2	20MHz	16QAM	18900	50RB#50	20.88	21±1	1
Band2	20MHz	16QAM	18900	100RB#0	21.03	22±1	/
Band2	20MHz	16QAM	19100	1RB#0	21.9	22±1	/

Band	Bandwidth	Modulation	Channel	RB Configuration	Average Power (dbm)	Tune up Limited (dBm)	MPR (dB)
Band2	20MHz	16QAM	19100	1RB#49	21.79	22±1	/
Band2	20MHz	16QAM	19100	1RB#99	22.07	22±1	/
Band2	20MHz	16QAM	19100	50RB#0	21.17	22±1	/
Band2	20MHz	16QAM	19100	50RB#25	21.17	22±1	/
Band2	20MHz	16QAM	19100	50RB#50	21.13	22±1	/
Band2	20MHz	16QAM	19100	100RB#0	21.06	22±1	/
Band4	1.4MHz	QPSK	19957	1RB#0	23.77	23±1	/
Band4	1.4MHz	QPSK	19957	1RB#2	23.74	23±1	/
Band4	1.4MHz	QPSK	19957	1RB#5	23.72	23±1	/
Band4	1.4MHz	QPSK	19957	3RB#0	23.81	23±1	/
Band4	1.4MHz	QPSK	19957	3RB#1	23.65	23±1	/
Band4	1.4MHz	QPSK	19957	3RB#3	23.74	23±1	/
Band4	1.4MHz	QPSK	19957	6RB#0	22.85	23±1	/
Band4	1.4MHz	QPSK	20175	1RB#0	23.59	23±1	/
Band4	1.4MHz	QPSK	20175	1RB#2	23.55	23±1	/
Band4	1.4MHz	QPSK	20175	1RB#5	23.43	23±1	/
Band4	1.4MHz	QPSK	20175	3RB#0	23.65	23±1	/
Band4	1.4MHz	QPSK	20175	3RB#1	23.53	23±1	/
Band4	1.4MHz	QPSK	20175	3RB#3	23.45	23±1	/
Band4	1.4MHz	QPSK	20175	6RB#0	22.55	23±1	/
Band4	1.4MHz	QPSK	20393	1RB#0	23.16	23±1	/
Band4	1.4MHz	QPSK	20393	1RB#2	23.15	23±1	/
Band4	1.4MHz	QPSK	20393	1RB#5	23.1	23±1	/
Band4	1.4MHz	QPSK	20393	3RB#0	23.04	23±1	/
Band4	1.4MHz	QPSK	20393	3RB#1	23.06	23±1	/
Band4	1.4MHz	QPSK	20393	3RB#3	23.12	23±1	/
Band4	1.4MHz	QPSK	20393	6RB#0	22	23±1	/
Band4	1.4MHz	16QAM	19957	1RB#0	23.01	22.5±1	/
Band4	1.4MHz	16QAM	19957	1RB#2	22.94	22.5±1	/
Band4	1.4MHz	16QAM	19957	1RB#5	22.85	22.5±1	/
Band4	1.4MHz	16QAM	19957	3RB#0	22.79	22.5±1	/
Band4	1.4MHz	16QAM	19957	3RB#1	22.7	22.5±1	/
Band4	1.4MHz	16QAM	19957	3RB#3	22.86	22.5±1	/
Band4	1.4MHz	16QAM	19957	6RB#0	21.88	22.5±1	/
Band4	1.4MHz	16QAM	20175	1RB#0	22.77	22.5±1	/
Band4	1.4MHz	16QAM	20175	1RB#2	22.74	22.5±1	/
Band4	1.4MHz	16QAM	20175	1RB#5	22.68	22.5±1	/
Band4	1.4MHz	16QAM	20175	3RB#0	22.51	22.5±1	/
Band4	1.4MHz	16QAM	20175	3RB#1	22.51	22.5±1	/
Band4	1.4MHz	16QAM	20175	3RB#3	22.41	22.5±1	/
Band4	1.4MHz	16QAM	20175	6RB#0	21.52	22.5±1	/

Band	Bandwidth	Modulation	Channel	RB Configuration	Average Power (dbm)	Tune up Limited (dBm)	MPR (dB)
Band4	1.4MHz	16QAM	20393	1RB#0	22.29	22.5±1	/
Band4	1.4MHz	16QAM	20393	1RB#2	22.53	22.5±1	/
Band4	1.4MHz	16QAM	20393	1RB#5	22.35	22.5±1	/
Band4	1.4MHz	16QAM	20393	3RB#0	21.89	22.5±1	/
Band4	1.4MHz	16QAM	20393	3RB#1	21.82	22.5±1	/
Band4	1.4MHz	16QAM	20393	3RB#3	21.93	22.5±1	/
Band4	1.4MHz	16QAM	20393	6RB#0	21.26	21.5±1	1
Band4	3MHz	QPSK	19965	1RB#0	23.68	23±1	/
Band4	3MHz	QPSK	19965	1RB#8	23.69	23±1	/
Band4	3MHz	QPSK	19965	1RB#14	23.69	23±1	/
Band4	3MHz	QPSK	19965	8RB#0	22.76	23±1	/
Band4	3MHz	QPSK	19965	8RB#4	22.67	23±1	/
Band4	3MHz	QPSK	19965	8RB#7	22.67	23±1	/
Band4	3MHz	QPSK	19965	15RB#0	22.67	23±1	/
Band4	3MHz	QPSK	20175	1RB#0	23.8	23±1	/
Band4	3MHz	QPSK	20175	1RB#8	23.76	23±1	/
Band4	3MHz	QPSK	20175	1RB#14	23.35	23±1	/
Band4	3MHz	QPSK	20175	8RB#0	22.69	23±1	/
Band4	3MHz	QPSK	20175	8RB#4	22.62	23±1	/
Band4	3MHz	QPSK	20175	8RB#7	22.44	23±1	/
Band4	3MHz	QPSK	20175	15RB#0	22.55	23±1	/
Band4	3MHz	QPSK	20385	1RB#0	23.07	23±1	/
Band4	3MHz	QPSK	20385	1RB#8	23.18	23±1	/
Band4	3MHz	QPSK	20385	1RB#14	23.09	23±1	/
Band4	3MHz	QPSK	20385	8RB#0	22	23±1	/
Band4	3MHz	QPSK	20385	8RB#4	22.11	23±1	/
Band4	3MHz	QPSK	20385	8RB#7	22.02	23±1	/
Band4	3MHz	QPSK	20385	15RB#0	22	23±1	/
Band4	3MHz	16QAM	19965	1RB#0	22.75	22.5±1	/
Band4	3MHz	16QAM	19965	1RB#8	22.61	22.5±1	/
Band4	3MHz	16QAM	19965	1RB#14	22.5	22.5±1	/
Band4	3MHz	16QAM	19965	8RB#0	21.92	22.5±1	/
Band4	3MHz	16QAM	19965	8RB#4	21.92	22.5±1	/
Band4	3MHz	16QAM	19965	8RB#7	21.81	22.5±1	/
Band4	3MHz	16QAM	19965	15RB#0	21.98	22.5±1	/
Band4	3MHz	16QAM	20175	1RB#0	22.91	22.5±1	/
Band4	3MHz	16QAM	20175	1RB#8	22.82	22.5±1	/
Band4	3MHz	16QAM	20175	1RB#14	22.43	22.5±1	/
Band4	3MHz	16QAM	20175	8RB#0	21.83	22.5±1	/
Band4	3MHz	16QAM	20175	8RB#4	21.75	22.5±1	/
Band4	3MHz	16QAM	20175	8RB#7	21.69	22.5±1	/

Band	Bandwidth	Modulation	Channel	RB Configuration	Average Power (dbm)	Tune up Limited (dBm)	MPR (dB)
Band4	3MHz	16QAM	20175	15RB#0	21.68	22.5±1	/
Band4	3MHz	16QAM	20385	1RB#0	22.45	22.5±1	/
Band4	3MHz	16QAM	20385	1RB#8	22.16	22.5±1	/
Band4	3MHz	16QAM	20385	1RB#14	22.07	22.5±1	/
Band4	3MHz	16QAM	20385	8RB#0	21.05	21.5±1	1
Band4	3MHz	16QAM	20385	8RB#4	21.04	21.5±1	1
Band4	3MHz	16QAM	20385	8RB#7	21.14	21.5±1	1
Band4	3MHz	16QAM	20385	15RB#0	21.15	21.5±1	1
Band4	5MHz	QPSK	19975	1RB#0	23.92	23±1	/
Band4	5MHz	QPSK	19975	1RB#12	23.78	23±1	/
Band4	5MHz	QPSK	19975	1RB#24	23.91	23±1	/
Band4	5MHz	QPSK	19975	12RB#0	23.03	23±1	/
Band4	5MHz	QPSK	19975	12RB#6	23.11	23±1	/
Band4	5MHz	QPSK	19975	12RB#13	22.92	23±1	/
Band4	5MHz	QPSK	19975	25RB#0	22.99	23±1	/
Band4	5MHz	QPSK	20175	1RB#0	23.96	23±1	/
Band4	5MHz	QPSK	20175	1RB#12	23.77	23±1	/
Band4	5MHz	QPSK	20175	1RB#24	23.65	23±1	/
Band4	5MHz	QPSK	20175	12RB#0	22.9	23±1	/
Band4	5MHz	QPSK	20175	12RB#6	22.91	23±1	/
Band4	5MHz	QPSK	20175	12RB#13	22.66	23±1	/
Band4	5MHz	QPSK	20175	25RB#0	22.85	23±1	/
Band4	5MHz	QPSK	20375	1RB#0	23.15	23±1	/
Band4	5MHz	QPSK	20375	1RB#12	23.47	23±1	/
Band4	5MHz	QPSK	20375	1RB#24	23.39	23±1	/
Band4	5MHz	QPSK	20375	12RB#0	22.2	22±1	1
Band4	5MHz	QPSK	20375	12RB#6	22.2	22±1	1
Band4	5MHz	QPSK	20375	12RB#13	22.33	22±1	1
Band4	5MHz	QPSK	20375	25RB#0	22.23	22±1	1
Band4	5MHz	16QAM	19975	1RB#0	22.67	22.5±1	/
Band4	5MHz	16QAM	19975	1RB#12	22.63	22.5±1	/
Band4	5MHz	16QAM	19975	1RB#24	23.01	22.5±1	/
Band4	5MHz	16QAM	19975	12RB#0	22.14	22.5±1	/
Band4	5MHz	16QAM	19975	12RB#6	21.92	22.5±1	/
Band4	5MHz	16QAM	19975	12RB#13	22.02	22.5±1	/
Band4	5MHz	16QAM	19975	25RB#0	21.98	22.5±1	/
Band4	5MHz	16QAM	20175	1RB#0	22.76	22.5±1	/
Band4	5MHz	16QAM	20175	1RB#12	22.57	22.5±1	/
Band4	5MHz	16QAM	20175	1RB#24	22.71	22.5±1	/
Band4	5MHz	16QAM	20175	12RB#0	21.99	22.5±1	/
Band4	5MHz	16QAM	20175	12RB#6	21.88	22.5±1	/

Band	Bandwidth	Modulation	Channel	RB Configuration	Average Power (dbm)	Tune up Limited (dBm)	MPR (dB)
Band4	5MHz	16QAM	20175	12RB#13	21.74	22.5±1	/
Band4	5MHz	16QAM	20175	25RB#0	21.82	22.5±1	/
Band4	5MHz	16QAM	20375	1RB#0	22.26	22.5±1	/
Band4	5MHz	16QAM	20375	1RB#12	22.54	22.5±1	/
Band4	5MHz	16QAM	20375	1RB#24	22.48	22.5±1	/
Band4	5MHz	16QAM	20375	12RB#0	21.45	21.5±1	1
Band4	5MHz	16QAM	20375	12RB#6	21.27	21.5±1	1
Band4	5MHz	16QAM	20375	12RB#13	21.31	21.5±1	1
Band4	5MHz	16QAM	20375	25RB#0	21.33	21.5±1	1
Band4	10MHz	QPSK	20000	1RB#0	23.74	23.5±1	/
Band4	10MHz	QPSK	20000	1RB#24	24.03	23.5±1	/
Band4	10MHz	QPSK	20000	1RB#49	23.88	23.5±1	/
Band4	10MHz	QPSK	20000	25RB#0	22.81	23.5±1	/
Band4	10MHz	QPSK	20000	25RB#12	22.82	23.5±1	/
Band4	10MHz	QPSK	20000	25RB#25	22.98	23.5±1	/
Band4	10MHz	QPSK	20000	50RB#0	22.93	23.5±1	/
Band4	10MHz	QPSK	20175	1RB#0	23.63	23.5±1	/
Band4	10MHz	QPSK	20175	1RB#24	23.75	23.5±1	/
Band4	10MHz	QPSK	20175	1RB#49	23.3	23.5±1	/
Band4	10MHz	QPSK	20175	25RB#0	22.74	23.5±1	/
Band4	10MHz	QPSK	20175	25RB#12	22.76	23.5±1	/
Band4	10MHz	QPSK	20175	25RB#25	22.41	22.5±1	1
Band4	10MHz	QPSK	20175	50RB#0	22.53	23.5±1	/
Band4	10MHz	QPSK	20350	1RB#0	23.32	23.5±1	/
Band4	10MHz	QPSK	20350	1RB#24	23.44	23.5±1	/
Band4	10MHz	QPSK	20350	1RB#49	23.49	23.5±1	/
Band4	10MHz	QPSK	20350	25RB#0	22.12	22.5±1	1
Band4	10MHz	QPSK	20350	25RB#12	22.13	22.5±1	1
Band4	10MHz	QPSK	20350	25RB#25	22.18	22.5±1	1
Band4	10MHz	QPSK	20350	50RB#0	22.22	22.5±1	1
Band4	10MHz	16QAM	20000	1RB#0	22.9	22.5±1	/
Band4	10MHz	16QAM	20000	1RB#24	23.3	22.5±1	/
Band4	10MHz	16QAM	20000	1RB#49	22.86	22.5±1	/
Band4	10MHz	16QAM	20000	25RB#0	21.84	22.5±1	/
Band4	10MHz	16QAM	20000	25RB#12	21.92	22.5±1	/
Band4	10MHz	16QAM	20000	25RB#25	21.99	22.5±1	/
Band4	10MHz	16QAM	20000	50RB#0	21.82	22.5±1	/
Band4	10MHz	16QAM	20175	1RB#0	22.99	22.5±1	/
Band4	10MHz	16QAM	20175	1RB#24	23.04	22.5±1	/
Band4	10MHz	16QAM	20175	1RB#49	22.65	22.5±1	/
Band4	10MHz	16QAM	20175	25RB#0	21.7	22.5±1	/

Band	Bandwidth	Modulation	Channel	RB Configuration	Average Power (dbm)	Tune up Limited (dBm)	MPR (dB)
Band4	10MHz	16QAM	20175	25RB#12	21.7	22.5±1	/
Band4	10MHz	16QAM	20175	25RB#25	21.65	22.5±1	/
Band4	10MHz	16QAM	20175	50RB#0	21.58	22.5±1	/
Band4	10MHz	16QAM	20350	1RB#0	22.52	22.5±1	/
Band4	10MHz	16QAM	20350	1RB#24	22.97	22.5±1	/
Band4	10MHz	16QAM	20350	1RB#49	22.39	22.5±1	/
Band4	10MHz	16QAM	20350	25RB#0	21.28	21.5±1	1
Band4	10MHz	16QAM	20350	25RB#12	21.38	21.5±1	1
Band4	10MHz	16QAM	20350	25RB#25	21.32	21.5±1	1
Band4	10MHz	16QAM	20350	50RB#0	21.33	21.5±1	1
Band4	15MHz	QPSK	20025	1RB#0	23.94	23±1	/
Band4	15MHz	QPSK	20025	1RB#38	23.96	23±1	/
Band4	15MHz	QPSK	20025	1RB#74	23.99	23±1	/
Band4	15MHz	QPSK	20025	38RB#0	22.75	23±1	/
Band4	15MHz	QPSK	20025	38RB#18	22.81	23±1	/
Band4	15MHz	QPSK	20025	38RB#37	22.71	23±1	/
Band4	15MHz	QPSK	20025	75RB#0	22.73	23±1	/
Band4	15MHz	QPSK	20175	1RB#0	23.67	23±1	/
Band4	15MHz	QPSK	20175	1RB#38	23.46	23±1	/
Band4	15MHz	QPSK	20175	1RB#74	23.15	23±1	/
Band4	15MHz	QPSK	20175	38RB#0	22.62	23±1	/
Band4	15MHz	QPSK	20175	38RB#18	22.61	23±1	/
Band4	15MHz	QPSK	20175	38RB#37	22.52	23±1	/
Band4	15MHz	QPSK	20175	75RB#0	22.51	23±1	/
Band4	15MHz	QPSK	20325	1RB#0	23.46	23±1	/
Band4	15MHz	QPSK	20325	1RB#38	23.37	23±1	/
Band4	15MHz	QPSK	20325	1RB#74	23.46	23±1	/
Band4	15MHz	QPSK	20325	38RB#0	22.19	23±1	/
Band4	15MHz	QPSK	20325	38RB#18	22.19	23±1	/
Band4	15MHz	QPSK	20325	38RB#37	22.18	23±1	/
Band4	15MHz	QPSK	20325	75RB#0	22.18	23±1	/
Band4	15MHz	16QAM	20025	1RB#0	22.84	23±1	/
Band4	15MHz	16QAM	20025	1RB#38	23.58	23±1	/
Band4	15MHz	16QAM	20025	1RB#74	22.91	23±1	/
Band4	15MHz	16QAM	20025	38RB#0	22.82	23±1	/
Band4	15MHz	16QAM	20025	38RB#18	22.8	23±1	/
Band4	15MHz	16QAM	20025	38RB#37	22.71	23±1	/
Band4	15MHz	16QAM	20025	75RB#0	21.72	22±1	1
Band4	15MHz	16QAM	20175	1RB#0	22.52	23±1	/
Band4	15MHz	16QAM	20175	1RB#38	22.4	23±1	/
Band4	15MHz	16QAM	20175	1RB#74	22.29	23±1	/

Band	Bandwidth	Modulation	Channel	RB Configuration	Average Power (dbm)	Tune up Limited (dBm)	MPR (dB)
Band4	15MHz	16QAM	20175	38RB#0	22.61	23±1	/
Band4	15MHz	16QAM	20175	38RB#18	22.53	23±1	/
Band4	15MHz	16QAM	20175	38RB#37	22.52	23±1	/
Band4	15MHz	16QAM	20175	75RB#0	21.74	22±1	1
Band4	15MHz	16QAM	20325	1RB#0	22.66	23±1	/
Band4	15MHz	16QAM	20325	1RB#38	23.11	23±1	/
Band4	15MHz	16QAM	20325	1RB#74	22.43	23±1	/
Band4	15MHz	16QAM	20325	38RB#0	22.18	23±1	/
Band4	15MHz	16QAM	20325	38RB#18	22.18	23±1	/
Band4	15MHz	16QAM	20325	38RB#37	22.18	23±1	/
Band4	15MHz	16QAM	20325	75RB#0	21.31	22±1	1
Band4	20MHz	QPSK	20050	1RB#0	23.54	23±1	/
Band4	20MHz	QPSK	20050	1RB#49	24	23±1	/
Band4	20MHz	QPSK	20050	1RB#99	23.81	23±1	/
Band4	20MHz	QPSK	20050	50RB#0	22.59	23±1	/
Band4	20MHz	QPSK	20050	50RB#25	22.58	23±1	/
Band4	20MHz	QPSK	20050	50RB#50	22.74	23±1	/
Band4	20MHz	QPSK	20050	100RB#0	22.64	23±1	/
Band4	20MHz	QPSK	20175	1RB#0	23.58	23±1	/
Band4	20MHz	QPSK	20175	1RB#49	24	23±1	/
Band4	20MHz	QPSK	20175	1RB#99	23.35	23±1	/
Band4	20MHz	QPSK	20175	50RB#0	22.62	23±1	/
Band4	20MHz	QPSK	20175	50RB#25	22.63	23±1	/
Band4	20MHz	QPSK	20175	50RB#50	22.35	23±1	/
Band4	20MHz	QPSK	20175	100RB#0	22.51	23±1	/
Band4	20MHz	QPSK	20300	1RB#0	23.59	23±1	/
Band4	20MHz	QPSK	20300	1RB#49	23.28	23±1	/
Band4	20MHz	QPSK	20300	1RB#99	23.34	23±1	/
Band4	20MHz	QPSK	20300	50RB#0	22.32	23±1	/
Band4	20MHz	QPSK	20300	50RB#25	22.26	23±1	/
Band4	20MHz	QPSK	20300	50RB#50	22.25	23±1	/
Band4	20MHz	QPSK	20300	100RB#0	22.2	23±1	/
Band4	20MHz	16QAM	20050	1RB#0	22.94	23±1	/
Band4	20MHz	16QAM	20050	1RB#49	23.34	23±1	/
Band4	20MHz	16QAM	20050	1RB#99	22.84	23±1	/
Band4	20MHz	16QAM	20050	50RB#0	21.79	22±1	1
Band4	20MHz	16QAM	20050	50RB#25	21.78	22±1	1
Band4	20MHz	16QAM	20050	50RB#50	21.87	22±1	1
Band4	20MHz	16QAM	20050	100RB#0	21.75	22±1	1
Band4	20MHz	16QAM	20175	1RB#0	23.08	23±1	/
Band4	20MHz	16QAM	20175	1RB#49	22.9	23±1	/

Band	Bandwidth	Modulation	Channel	RB Configuration	Average Power (dbm)	Tune up Limited (dBm)	MPR (dB)
Band4	20MHz	16QAM	20175	1RB#99	22.64	23±1	/
Band4	20MHz	16QAM	20175	50RB#0	21.67	22±1	1
Band4	20MHz	16QAM	20175	50RB#25	21.68	22±1	1
Band4	20MHz	16QAM	20175	50RB#50	21.42	22±1	1
Band4	20MHz	16QAM	20175	100RB#0	21.71	22±1	1
Band4	20MHz	16QAM	20300	1RB#0	22.51	23±1	/
Band4	20MHz	16QAM	20300	1RB#49	22.13	23±1	/
Band4	20MHz	16QAM	20300	1RB#99	22.02	23±1	/
Band4	20MHz	16QAM	20300	50RB#0	21.44	22±1	1
Band4	20MHz	16QAM	20300	50RB#25	21.53	22±1	1
Band4	20MHz	16QAM	20300	50RB#50	21.34	22±1	1
Band4	20MHz	16QAM	20300	100RB#0	21.33	22±1	1
Band5	1.4MHz	QPSK	20407	1RB#0	23.73	23.5±1	/
Band5	1.4MHz	QPSK	20407	1RB#2	23.98	23.5±1	/
Band5	1.4MHz	QPSK	20407	1RB#5	23.91	23.5±1	/
Band5	1.4MHz	QPSK	20407	3RB#0	23.89	23.5±1	/
Band5	1.4MHz	QPSK	20407	3RB#1	23.89	23.5±1	/
Band5	1.4MHz	QPSK	20407	3RB#3	23.98	23.5±1	/
Band5	1.4MHz	QPSK	20407	6RB#0	22.93	23.5±1	/
Band5	1.4MHz	QPSK	20525	1RB#0	23.66	23.5±1	/
Band5	1.4MHz	QPSK	20525	1RB#2	23.8	23.5±1	/
Band5	1.4MHz	QPSK	20525	1RB#5	23.78	23.5±1	/
Band5	1.4MHz	QPSK	20525	3RB#0	23.74	23.5±1	/
Band5	1.4MHz	QPSK	20525	3RB#1	23.83	23.5±1	/
Band5	1.4MHz	QPSK	20525	3RB#3	23.8	23.5±1	/
Band5	1.4MHz	QPSK	20525	6RB#0	22.76	23.5±1	/
Band5	1.4MHz	QPSK	20643	1RB#0	24.4	23.5±1	/
Band5	1.4MHz	QPSK	20643	1RB#2	24.38	23.5±1	/
Band5	1.4MHz	QPSK	20643	1RB#5	24.37	23.5±1	/
Band5	1.4MHz	QPSK	20643	3RB#0	24.25	23.5±1	/
Band5	1.4MHz	QPSK	20643	3RB#1	24.19	23.5±1	/
Band5	1.4MHz	QPSK	20643	3RB#3	24.29	23.5±1	/
Band5	1.4MHz	QPSK	20643	6RB#0	23.1	23.5±1	/
Band5	1.4MHz	16QAM	20407	1RB#0	23.03	23±1	/
Band5	1.4MHz	16QAM	20407	1RB#2	23.07	23±1	/
Band5	1.4MHz	16QAM	20407	1RB#5	23.38	23±1	/
Band5	1.4MHz	16QAM	20407	3RB#0	22.77	23±1	/
Band5	1.4MHz	16QAM	20407	3RB#1	22.98	23±1	/
Band5	1.4MHz	16QAM	20407	3RB#3	22.9	23±1	/
Band5	1.4MHz	16QAM	20407	6RB#0	21.72	22±1	1
Band5	1.4MHz	16QAM	20525	1RB#0	22.95	23±1	/

Band	Bandwidth	Modulation	Channel	RB Configuration	Average Power (dbm)	Tune up Limited (dBm)	MPR (dB)
Band5	1.4MHz	16QAM	20525	1RB#2	23.3	23±1	/
Band5	1.4MHz	16QAM	20525	1RB#5	22.94	23±1	/
Band5	1.4MHz	16QAM	20525	3RB#0	22.61	23±1	/
Band5	1.4MHz	16QAM	20525	3RB#1	22.7	23±1	/
Band5	1.4MHz	16QAM	20525	3RB#3	22.75	23±1	/
Band5	1.4MHz	16QAM	20525	6RB#0	21.73	22±1	1
Band5	1.4MHz	16QAM	20643	1RB#0	23.53	23±1	/
Band5	1.4MHz	16QAM	20643	1RB#2	23.61	23±1	/
Band5	1.4MHz	16QAM	20643	1RB#5	23.36	23±1	/
Band5	1.4MHz	16QAM	20643	3RB#0	22.81	23±1	/
Band5	1.4MHz	16QAM	20643	3RB#1	22.81	23±1	/
Band5	1.4MHz	16QAM	20643	3RB#3	22.77	23±1	/
Band5	1.4MHz	16QAM	20643	6RB#0	22.09	23±1	/
Band5	3MHz	QPSK	20415	1RB#0	23.54	23.5±1	/
Band5	3MHz	QPSK	20415	1RB#8	23.58	23.5±1	/
Band5	3MHz	QPSK	20415	1RB#14	23.74	23.5±1	/
Band5	3MHz	QPSK	20415	8RB#0	22.75	23.5±1	/
Band5	3MHz	QPSK	20415	8RB#4	22.74	23.5±1	/
Band5	3MHz	QPSK	20415	8RB#7	22.67	23.5±1	/
Band5	3MHz	QPSK	20415	15RB#0	22.75	23.5±1	/
Band5	3MHz	QPSK	20525	1RB#0	23.2	23.5±1	/
Band5	3MHz	QPSK	20525	1RB#8	23.36	23.5±1	/
Band5	3MHz	QPSK	20525	1RB#14	23.75	23.5±1	/
Band5	3MHz	QPSK	20525	8RB#0	22.49	22.5±1	1
Band5	3MHz	QPSK	20525	8RB#4	22.37	22.5±1	1
Band5	3MHz	QPSK	20525	8RB#7	22.55	23.5±1	/
Band5	3MHz	QPSK	20525	15RB#0	22.48	22.5±1	1
Band5	3MHz	QPSK	20635	1RB#0	23.83	23.5±1	/
Band5	3MHz	QPSK	20635	1RB#8	24.11	23.5±1	/
Band5	3MHz	QPSK	20635	1RB#14	23.96	23.5±1	/
Band5	3MHz	QPSK	20635	8RB#0	22.96	23.5±1	/
Band5	3MHz	QPSK	20635	8RB#4	22.96	23.5±1	/
Band5	3MHz	QPSK	20635	8RB#7	23.01	23.5±1	/
Band5	3MHz	QPSK	20635	15RB#0	22.77	23.5±1	/
Band5	3MHz	16QAM	20415	1RB#0	23.02	23±1	/
Band5	3MHz	16QAM	20415	1RB#8	22.08	23±1	/
Band5	3MHz	16QAM	20415	1RB#14	22.42	23±1	/
Band5	3MHz	16QAM	20415	8RB#0	21.68	22±1	1
Band5	3MHz	16QAM	20415	8RB#4	21.85	22±1	1
Band5	3MHz	16QAM	20415	8RB#7	21.61	22±1	1
Band5	3MHz	16QAM	20415	15RB#0	21.64	22±1	1

Band	Bandwidth	Modulation	Channel	RB Configuration	Average Power (dbm)	Tune up Limited (dBm)	MPR (dB)
Band5	3MHz	16QAM	20525	1RB#0	22.19	23±1	/
Band5	3MHz	16QAM	20525	1RB#8	22.7	23±1	/
Band5	3MHz	16QAM	20525	1RB#14	22.71	23±1	/
Band5	3MHz	16QAM	20525	8RB#0	21.39	22±1	1
Band5	3MHz	16QAM	20525	8RB#4	21.49	22±1	1
Band5	3MHz	16QAM	20525	8RB#7	21.57	22±1	1
Band5	3MHz	16QAM	20525	15RB#0	21.44	22±1	1
Band5	3MHz	16QAM	20635	1RB#0	22.78	23±1	/
Band5	3MHz	16QAM	20635	1RB#8	23.25	23±1	/
Band5	3MHz	16QAM	20635	1RB#14	22.95	23±1	/
Band5	3MHz	16QAM	20635	8RB#0	21.86	22±1	1
Band5	3MHz	16QAM	20635	8RB#4	21.84	22±1	1
Band5	3MHz	16QAM	20635	8RB#7	22.02	23±1	/
Band5	3MHz	16QAM	20635	15RB#0	21.79	22±1	1
Band5	5MHz	QPSK	20425	1RB#0	23.79	23.5±1	/
Band5	5MHz	QPSK	20425	1RB#12	23.89	23.5±1	/
Band5	5MHz	QPSK	20425	1RB#24	24.01	23.5±1	/
Band5	5MHz	QPSK	20425	12RB#0	22.67	23.5±1	/
Band5	5MHz	QPSK	20425	12RB#6	22.74	23.5±1	/
Band5	5MHz	QPSK	20425	12RB#13	22.8	23.5±1	/
Band5	5MHz	QPSK	20425	25RB#0	22.86	23.5±1	/
Band5	5MHz	QPSK	20525	1RB#0	23.13	23.5±1	/
Band5	5MHz	QPSK	20525	1RB#12	23.92	23.5±1	/
Band5	5MHz	QPSK	20525	1RB#24	23.68	23.5±1	/
Band5	5MHz	QPSK	20525	12RB#0	22.51	23.5±1	/
Band5	5MHz	QPSK	20525	12RB#6	22.41	22.5±1	1
Band5	5MHz	QPSK	20525	12RB#13	22.74	23.5±1	/
Band5	5MHz	QPSK	20525	25RB#0	22.47	22.5±1	1
Band5	5MHz	QPSK	20625	1RB#0	23.64	23.5±1	/
Band5	5MHz	QPSK	20625	1RB#12	23.89	23.5±1	/
Band5	5MHz	QPSK	20625	1RB#24	23.98	23.5±1	/
Band5	5MHz	QPSK	20625	12RB#0	22.93	23.5±1	/
Band5	5MHz	QPSK	20625	12RB#6	22.95	23.5±1	/
Band5	5MHz	QPSK	20625	12RB#13	23.03	23.5±1	/
Band5	5MHz	QPSK	20625	25RB#0	22.92	23.5±1	/
Band5	5MHz	16QAM	20425	1RB#0	22.53	22±1	/
Band5	5MHz	16QAM	20425	1RB#12	22.73	22±1	/
Band5	5MHz	16QAM	20425	1RB#24	22.88	22±1	/
Band5	5MHz	16QAM	20425	12RB#0	21.65	22±1	/
Band5	5MHz	16QAM	20425	12RB#6	21.81	22±1	/
Band5	5MHz	16QAM	20425	12RB#13	21.79	22±1	/

Band	Bandwidth	Modulation	Channel	RB Configuration	Average Power (dbm)	Tune up Limited (dBm)	MPR (dB)
Band5	5MHz	16QAM	20425	25RB#0	21.73	22±1	/
Band5	5MHz	16QAM	20525	1RB#0	22.42	22±1	/
Band5	5MHz	16QAM	20525	1RB#12	22.8	22±1	/
Band5	5MHz	16QAM	20525	1RB#24	22.84	22±1	/
Band5	5MHz	16QAM	20525	12RB#0	21.56	22±1	/
Band5	5MHz	16QAM	20525	12RB#6	21.32	22±1	/
Band5	5MHz	16QAM	20525	12RB#13	21.58	22±1	/
Band5	5MHz	16QAM	20525	25RB#0	21.53	22±1	/
Band5	5MHz	16QAM	20625	1RB#0	22.5	22±1	/
Band5	5MHz	16QAM	20625	1RB#12	22.56	22±1	/
Band5	5MHz	16QAM	20625	1RB#24	22.83	22±1	/
Band5	5MHz	16QAM	20625	12RB#0	21.77	22±1	/
Band5	5MHz	16QAM	20625	12RB#6	21.97	22±1	/
Band5	5MHz	16QAM	20625	12RB#13	22.05	22±1	/
Band5	5MHz	16QAM	20625	25RB#0	22.04	22±1	/
Band5	10MHz	QPSK	20450	1RB#0	23.88	23.5±1	/
Band5	10MHz	QPSK	20450	1RB#24	24.08	23.5±1	/
Band5	10MHz	QPSK	20450	1RB#49	23.39	23.5±1	/
Band5	10MHz	QPSK	20450	25RB#0	22.88	23.5±1	/
Band5	10MHz	QPSK	20450	25RB#12	22.87	23.5±1	/
Band5	10MHz	QPSK	20450	25RB#25	22.6	23.5±1	/
Band5	10MHz	QPSK	20450	50RB#0	22.76	23.5±1	/
Band5	10MHz	QPSK	20525	1RB#0	23.21	23.5±1	/
Band5	10MHz	QPSK	20525	1RB#24	23.93	23.5±1	/
Band5	10MHz	QPSK	20525	1RB#49	23.7	23.5±1	/
Band5	10MHz	QPSK	20525	25RB#0	22.53	23.5±1	/
Band5	10MHz	QPSK	20525	25RB#12	22.52	23.5±1	/
Band5	10MHz	QPSK	20525	25RB#25	22.74	23.5±1	/
Band5	10MHz	QPSK	20525	50RB#0	22.55	23.5±1	/
Band5	10MHz	QPSK	20600	1RB#0	23.79	23.5±1	/
Band5	10MHz	QPSK	20600	1RB#24	24.2	23.5±1	/
Band5	10MHz	QPSK	20600	1RB#49	23.89	23.5±1	/
Band5	10MHz	QPSK	20600	25RB#0	22.83	23.5±1	/
Band5	10MHz	QPSK	20600	25RB#12	22.88	23.5±1	/
Band5	10MHz	QPSK	20600	25RB#25	22.98	23.5±1	/
Band5	10MHz	QPSK	20600	50RB#0	22.89	23.5±1	/
Band5	10MHz	16QAM	20450	1RB#0	22.53	23±1	/
Band5	10MHz	16QAM	20450	1RB#24	23.38	23±1	/
Band5	10MHz	16QAM	20450	1RB#49	22.48	23±1	/
Band5	10MHz	16QAM	20450	25RB#0	21.78	22±1	1
Band5	10MHz	16QAM	20450	25RB#12	21.86	22±1	1

Band	Bandwidth	Modulation	Channel	RB Configuration	Average Power (dbm)	Tune up Limited (dBm)	MPR (dB)
Band5	10MHz	16QAM	20450	25RB#25	21.61	22±1	1
Band5	10MHz	16QAM	20450	50RB#0	21.61	22±1	1
Band5	10MHz	16QAM	20525	1RB#0	22.31	23±1	/
Band5	10MHz	16QAM	20525	1RB#24	22.67	23±1	/
Band5	10MHz	16QAM	20525	1RB#49	22.61	23±1	/
Band5	10MHz	16QAM	20525	25RB#0	21.66	22±1	1
Band5	10MHz	16QAM	20525	25RB#12	21.56	22±1	1
Band5	10MHz	16QAM	20525	25RB#25	21.74	22±1	1
Band5	10MHz	16QAM	20525	50RB#0	21.58	22±1	1
Band5	10MHz	16QAM	20600	1RB#0	22.87	23±1	/
Band5	10MHz	16QAM	20600	1RB#24	23.31	23±1	/
Band5	10MHz	16QAM	20600	1RB#49	23.54	23±1	/
Band5	10MHz	16QAM	20600	25RB#0	21.93	22±1	1
Band5	10MHz	16QAM	20600	25RB#12	21.84	22±1	1
Band5	10MHz	16QAM	20600	25RB#25	22.11	23±1	/
Band5	10MHz	16QAM	20600	50RB#0	21.73	22±1	1
Band7	5MHz	QPSK	20775	1RB#0	23.33	23.5±1	/
Band7	5MHz	QPSK	20775	1RB#12	23.52	23.5±1	/
Band7	5MHz	QPSK	20775	1RB#24	23.33	23.5±1	/
Band7	5MHz	QPSK	20775	12RB#0	22.35	22.5±1	1
Band7	5MHz	QPSK	20775	12RB#6	22.34	22.5±1	1
Band7	5MHz	QPSK	20775	12RB#13	22.4	22.5±1	1
Band7	5MHz	QPSK	20775	25RB#0	22.38	22.5±1	1
Band7	5MHz	QPSK	21100	1RB#0	23.62	23.5±1	/
Band7	5MHz	QPSK	21100	1RB#12	23.89	23.5±1	/
Band7	5MHz	QPSK	21100	1RB#24	23.64	23.5±1	/
Band7	5MHz	QPSK	21100	12RB#0	22.93	23.5±1	/
Band7	5MHz	QPSK	21100	12RB#6	22.74	23.5±1	/
Band7	5MHz	QPSK	21100	12RB#13	22.76	23.5±1	/
Band7	5MHz	QPSK	21100	25RB#0	22.8	23.5±1	/
Band7	5MHz	QPSK	21425	1RB#0	23.97	23.5±1	/
Band7	5MHz	QPSK	21425	1RB#12	24.2	23.5±1	/
Band7	5MHz	QPSK	21425	1RB#24	23.95	23.5±1	/
Band7	5MHz	QPSK	21425	12RB#0	23.26	23.5±1	/
Band7	5MHz	QPSK	21425	12RB#6	23.16	23.5±1	/
Band7	5MHz	QPSK	21425	12RB#13	23.14	23.5±1	/
Band7	5MHz	QPSK	21425	25RB#0	23.09	23.5±1	/
Band7	5MHz	16QAM	20775	1RB#0	22.37	23±1	/
Band7	5MHz	16QAM	20775	1RB#12	22.57	23±1	/
Band7	5MHz	16QAM	20775	1RB#24	22.56	23±1	/
Band7	5MHz	16QAM	20775	12RB#0	21.47	22±1	1

Band	Bandwidth	Modulation	Channel	RB Configuration	Average Power (dbm)	Tune up Limited (dBm)	MPR (dB)
Band7	5MHz	16QAM	20775	12RB#6	21.46	22±1	1
Band7	5MHz	16QAM	20775	12RB#13	21.53	22±1	1
Band7	5MHz	16QAM	20775	25RB#0	21.33	22±1	1
Band7	5MHz	16QAM	21100	1RB#0	22.79	23±1	/
Band7	5MHz	16QAM	21100	1RB#12	22.94	23±1	/
Band7	5MHz	16QAM	21100	1RB#24	22.81	23±1	/
Band7	5MHz	16QAM	21100	12RB#0	21.73	22±1	1
Band7	5MHz	16QAM	21100	12RB#6	21.93	22±1	1
Band7	5MHz	16QAM	21100	12RB#13	21.97	22±1	1
Band7	5MHz	16QAM	21100	25RB#0	21.91	22±1	1
Band7	5MHz	16QAM	21425	1RB#0	22.71	23±1	/
Band7	5MHz	16QAM	21425	1RB#12	22.74	23±1	/
Band7	5MHz	16QAM	21425	1RB#24	23.37	23±1	/
Band7	5MHz	16QAM	21425	12RB#0	22.17	23±1	/
Band7	5MHz	16QAM	21425	12RB#6	22.25	23±1	/
Band7	5MHz	16QAM	21425	12RB#13	22.24	23±1	/
Band7	5MHz	16QAM	21425	25RB#0	22.35	23±1	/
Band7	10MHz	QPSK	20800	1RB#0	23.27	23.5±1	/
Band7	10MHz	QPSK	20800	1RB#24	23.67	23.5±1	/
Band7	10MHz	QPSK	20800	1RB#49	23.51	23.5±1	/
Band7	10MHz	QPSK	20800	25RB#0	22.51	23.5±1	/
Band7	10MHz	QPSK	20800	25RB#12	22.51	23.5±1	/
Band7	10MHz	QPSK	20800	25RB#25	22.72	23.5±1	/
Band7	10MHz	QPSK	20800	50RB#0	22.6	23.5±1	/
Band7	10MHz	QPSK	21100	1RB#0	23.78	23.5±1	/
Band7	10MHz	QPSK	21100	1RB#24	24.14	23.5±1	/
Band7	10MHz	QPSK	21100	1RB#49	23.79	23.5±1	/
Band7	10MHz	QPSK	21100	25RB#0	22.99	23.5±1	/
Band7	10MHz	QPSK	21100	25RB#12	22.99	23.5±1	/
Band7	10MHz	QPSK	21100	25RB#25	22.93	23.5±1	/
Band7	10MHz	QPSK	21100	50RB#0	22.87	23.5±1	/
Band7	10MHz	QPSK	21400	1RB#0	23.98	23.5±1	/
Band7	10MHz	QPSK	21400	1RB#24	24.49	23.5±1	/
Band7	10MHz	QPSK	21400	1RB#49	23.48	23.5±1	/
Band7	10MHz	QPSK	21400	25RB#0	23.24	23.5±1	/
Band7	10MHz	QPSK	21400	25RB#12	23.23	23.5±1	/
Band7	10MHz	QPSK	21400	25RB#25	23.37	23.5±1	/
Band7	10MHz	QPSK	21400	50RB#0	23.19	23.5±1	/
Band7	10MHz	16QAM	20800	1RB#0	22.4	23±1	/
Band7	10MHz	16QAM	20800	1RB#24	23.11	23±1	/
Band7	10MHz	16QAM	20800	1RB#49	22.69	23±1	/

Band	Bandwidth	Modulation	Channel	RB Configuration	Average Power (dbm)	Tune up Limited (dBm)	MPR (dB)
Band7	10MHz	16QAM	20800	25RB#0	21.55	22±1	1
Band7	10MHz	16QAM	20800	25RB#12	21.55	22±1	1
Band7	10MHz	16QAM	20800	25RB#25	21.77	22±1	1
Band7	10MHz	16QAM	20800	50RB#0	21.61	22±1	1
Band7	10MHz	16QAM	21100	1RB#0	22.89	23±1	/
Band7	10MHz	16QAM	21100	1RB#24	23.1	23±1	/
Band7	10MHz	16QAM	21100	1RB#49	22.91	23±1	/
Band7	10MHz	16QAM	21100	25RB#0	21.97	22±1	1
Band7	10MHz	16QAM	21100	25RB#12	22.07	23±1	/
Band7	10MHz	16QAM	21100	25RB#25	22.07	23±1	/
Band7	10MHz	16QAM	21100	50RB#0	21.9	22±1	1
Band7	10MHz	16QAM	21400	1RB#0	23.07	23±1	/
Band7	10MHz	16QAM	21400	1RB#24	24.04	23±1	/
Band7	10MHz	16QAM	21400	1RB#49	22.85	23±1	/
Band7	10MHz	16QAM	21400	25RB#0	22.12	23±1	/
Band7	10MHz	16QAM	21400	25RB#12	22.11	23±1	/
Band7	10MHz	16QAM	21400	25RB#25	22.52	23±1	/
Band7	10MHz	16QAM	21400	50RB#0	22.07	23±1	/
Band7	15MHz	QPSK	20825	1RB#0	23.11	23.5±1	/
Band7	15MHz	QPSK	20825	1RB#38	23.34	23.5±1	/
Band7	15MHz	QPSK	20825	1RB#74	23.37	23.5±1	/
Band7	15MHz	QPSK	20825	38RB#0	22.47	22.5±1	1
Band7	15MHz	QPSK	20825	38RB#18	22.53	23.5±1	/
Band7	15MHz	QPSK	20825	38RB#37	22.52	23.5±1	/
Band7	15MHz	QPSK	20825	75RB#0	22.51	23.5±1	/
Band7	15MHz	QPSK	21100	1RB#0	23.52	23.5±1	/
Band7	15MHz	QPSK	21100	1RB#38	23.86	23.5±1	/
Band7	15MHz	QPSK	21100	1RB#74	23.93	23.5±1	/
Band7	15MHz	QPSK	21100	38RB#0	22.8	23.5±1	/
Band7	15MHz	QPSK	21100	38RB#18	22.78	23.5±1	/
Band7	15MHz	QPSK	21100	38RB#37	22.77	23.5±1	/
Band7	15MHz	QPSK	21100	75RB#0	22.76	23.5±1	/
Band7	15MHz	QPSK	21375	1RB#0	23.82	23.5±1	/
Band7	15MHz	QPSK	21375	1RB#38	24.14	23.5±1	/
Band7	15MHz	QPSK	21375	1RB#74	23.78	23.5±1	/
Band7	15MHz	QPSK	21375	38RB#0	23.16	23.5±1	/
Band7	15MHz	QPSK	21375	38RB#18	23.04	23.5±1	/
Band7	15MHz	QPSK	21375	38RB#37	23.03	23.5±1	/
Band7	15MHz	QPSK	21375	75RB#0	23.01	23.5±1	/
Band7	15MHz	16QAM	20825	1RB#0	22.23	23±1	/
Band7	15MHz	16QAM	20825	1RB#38	22.47	23±1	/

Band	Bandwidth	Modulation	Channel	RB Configuration	Average Power (dbm)	Tune up Limited (dBm)	MPR (dB)
Band7	15MHz	16QAM	20825	1RB#74	22.62	23±1	/
Band7	15MHz	16QAM	20825	38RB#0	22.45	23±1	/
Band7	15MHz	16QAM	20825	38RB#18	22.53	23±1	/
Band7	15MHz	16QAM	20825	38RB#37	22.51	23±1	/
Band7	15MHz	16QAM	20825	75RB#0	21.58	22±1	1
Band7	15MHz	16QAM	21100	1RB#0	22.82	23±1	/
Band7	15MHz	16QAM	21100	1RB#38	23.06	23±1	/
Band7	15MHz	16QAM	21100	1RB#74	23.12	23±1	/
Band7	15MHz	16QAM	21100	38RB#0	22.79	23±1	/
Band7	15MHz	16QAM	21100	38RB#18	22.78	23±1	/
Band7	15MHz	16QAM	21100	38RB#37	22.77	23±1	/
Band7	15MHz	16QAM	21100	75RB#0	21.84	22±1	1
Band7	15MHz	16QAM	21375	1RB#0	22.92	23±1	/
Band7	15MHz	16QAM	21375	1RB#38	23.75	23±1	/
Band7	15MHz	16QAM	21375	1RB#74	23.22	23±1	/
Band7	15MHz	16QAM	21375	38RB#0	23.05	23±1	/
Band7	15MHz	16QAM	21375	38RB#18	23.03	23±1	/
Band7	15MHz	16QAM	21375	38RB#37	23.02	23±1	/
Band7	15MHz	16QAM	21375	75RB#0	22.09	23±1	/
Band7	20MHz	QPSK	20850	1RB#0	23.19	23.5±1	/
Band7	20MHz	QPSK	20850	1RB#49	24.07	23.5±1	/
Band7	20MHz	QPSK	20850	1RB#99	23.71	23.5±1	/
Band7	20MHz	QPSK	20850	50RB#0	22.62	23.5±1	/
Band7	20MHz	QPSK	20850	50RB#25	22.6	23.5±1	/
Band7	20MHz	QPSK	20850	50RB#50	22.91	23.5±1	/
Band7	20MHz	QPSK	20850	100RB#0	22.75	23.5±1	/
Band7	20MHz	QPSK	21100	1RB#0	23.56	23.5±1	/
Band7	20MHz	QPSK	21100	1RB#49	24.11	23.5±1	/
Band7	20MHz	QPSK	21100	1RB#99	23.93	23.5±1	/
Band7	20MHz	QPSK	21100	50RB#0	23.01	23.5±1	/
Band7	20MHz	QPSK	21100	50RB#25	23.03	23.5±1	/
Band7	20MHz	QPSK	21100	50RB#50	22.92	23.5±1	/
Band7	20MHz	QPSK	21100	100RB#0	22.98	23.5±1	/
Band7	20MHz	QPSK	21350	1RB#0	23.99	23.5±1	/
Band7	20MHz	QPSK	21350	1RB#49	24.42	23.5±1	/
Band7	20MHz	QPSK	21350	1RB#99	23.47	23.5±1	/
Band7	20MHz	QPSK	21350	50RB#0	23.13	23.5±1	/
Band7	20MHz	QPSK	21350	50RB#25	23.09	23.5±1	/
Band7	20MHz	QPSK	21350	50RB#50	23.26	23.5±1	/
Band7	20MHz	QPSK	21350	100RB#0	23.13	23.5±1	/
Band7	20MHz	16QAM	20850	1RB#0	22.65	23±1	/

Band	Bandwidth	Modulation	Channel	RB Configuration	Average Power (dbm)	Tune up Limited (dBm)	MPR (dB)
Band7	20MHz	16QAM	20850	1RB#49	23.36	23±1	/
Band7	20MHz	16QAM	20850	1RB#99	22.83	23±1	/
Band7	20MHz	16QAM	20850	50RB#0	21.55	22±1	1
Band7	20MHz	16QAM	20850	50RB#25	21.64	22±1	1
Band7	20MHz	16QAM	20850	50RB#50	21.89	22±1	1
Band7	20MHz	16QAM	20850	100RB#0	21.78	22±1	1
Band7	20MHz	16QAM	21100	1RB#0	23.01	23±1	/
Band7	20MHz	16QAM	21100	1RB#49	23.57	23±1	/
Band7	20MHz	16QAM	21100	1RB#99	23.36	23±1	/
Band7	20MHz	16QAM	21100	50RB#0	21.9	22±1	1
Band7	20MHz	16QAM	21100	50RB#25	22.02	23±1	/
Band7	20MHz	16QAM	21100	50RB#50	22	23±1	/
Band7	20MHz	16QAM	21100	100RB#0	21.93	22±1	1
Band7	20MHz	16QAM	21350	1RB#0	23.09	23±1	/
Band7	20MHz	16QAM	21350	1RB#49	23.1	23±1	/
Band7	20MHz	16QAM	21350	1RB#99	22.81	23±1	/
Band7	20MHz	16QAM	21350	50RB#0	22.13	23±1	/
Band7	20MHz	16QAM	21350	50RB#25	22.14	23±1	/
Band7	20MHz	16QAM	21350	50RB#50	22.31	23±1	/
Band7	20MHz	16QAM	21350	100RB#0	22.21	23±1	/
Band12	1.4MHz	QPSK	23017	1RB#0	23.24	23.5±1	/
Band12	1.4MHz	QPSK	23017	1RB#2	23.21	23.5±1	/
Band12	1.4MHz	QPSK	23017	1RB#5	23.33	23.5±1	/
Band12	1.4MHz	QPSK	23017	3RB#0	23.2	23.5±1	/
Band12	1.4MHz	QPSK	23017	3RB#1	23.51	23.5±1	/
Band12	1.4MHz	QPSK	23017	3RB#3	23.36	23.5±1	/
Band12	1.4MHz	QPSK	23017	6RB#0	22.33	22.5±1	1
Band12	1.4MHz	QPSK	23095	1RB#0	23.36	23.5±1	/
Band12	1.4MHz	QPSK	23095	1RB#2	23.71	23.5±1	/
Band12	1.4MHz	QPSK	23095	1RB#5	23.58	23.5±1	/
Band12	1.4MHz	QPSK	23095	3RB#0	23.52	23.5±1	/
Band12	1.4MHz	QPSK	23095	3RB#1	23.42	23.5±1	/
Band12	1.4MHz	QPSK	23095	3RB#3	23.54	23.5±1	/
Band12	1.4MHz	QPSK	23095	6RB#0	22.49	22.5±1	1
Band12	1.4MHz	QPSK	23173	1RB#0	23.66	23.5±1	/
Band12	1.4MHz	QPSK	23173	1RB#2	23.8	23.5±1	/
Band12	1.4MHz	QPSK	23173	1RB#5	23.48	23.5±1	/
Band12	1.4MHz	QPSK	23173	3RB#0	23.38	23.5±1	/
Band12	1.4MHz	QPSK	23173	3RB#1	23.35	23.5±1	/
Band12	1.4MHz	QPSK	23173	3RB#3	23.32	23.5±1	/
Band12	1.4MHz	QPSK	23173	6RB#0	22.31	22.5±1	1

Band	Bandwidth	Modulation	Channel	RB Configuration	Average Power (dbm)	Tune up Limited (dBm)	MPR (dB)
Band12	1.4MHz	16QAM	23017	1RB#0	22.5	22.5±1	/
Band12	1.4MHz	16QAM	23017	1RB#2	22.68	22.5±1	/
Band12	1.4MHz	16QAM	23017	1RB#5	22.21	22.5±1	/
Band12	1.4MHz	16QAM	23017	3RB#0	22.24	22.5±1	/
Band12	1.4MHz	16QAM	23017	3RB#1	22.31	22.5±1	/
Band12	1.4MHz	16QAM	23017	3RB#3	22.25	22.5±1	/
Band12	1.4MHz	16QAM	23017	6RB#0	21.26	21.5±1	1
Band12	1.4MHz	16QAM	23095	1RB#0	22.5	22.5±1	/
Band12	1.4MHz	16QAM	23095	1RB#2	22.74	22.5±1	/
Band12	1.4MHz	16QAM	23095	1RB#5	22.69	22.5±1	/
Band12	1.4MHz	16QAM	23095	3RB#0	22.16	22.5±1	/
Band12	1.4MHz	16QAM	23095	3RB#1	22.36	22.5±1	/
Band12	1.4MHz	16QAM	23095	3RB#3	22.45	22.5±1	/
Band12	1.4MHz	16QAM	23095	6RB#0	21.43	21.5±1	1
Band12	1.4MHz	16QAM	23173	1RB#0	22.71	22.5±1	/
Band12	1.4MHz	16QAM	23173	1RB#2	23.11	22.5±1	/
Band12	1.4MHz	16QAM	23173	1RB#5	22.61	22.5±1	/
Band12	1.4MHz	16QAM	23173	3RB#0	22.31	22.5±1	/
Band12	1.4MHz	16QAM	23173	3RB#1	22.28	22.5±1	/
Band12	1.4MHz	16QAM	23173	3RB#3	22.18	22.5±1	/
Band12	1.4MHz	16QAM	23173	6RB#0	21.27	21.5±1	1
Band12	3MHz	QPSK	23025	1RB#0	23.28	22.5±1	/
Band12	3MHz	QPSK	23025	1RB#8	23.28	22.5±1	/
Band12	3MHz	QPSK	23025	1RB#14	23.19	22.5±1	/
Band12	3MHz	QPSK	23025	8RB#0	22.28	22.5±1	/
Band12	3MHz	QPSK	23025	8RB#4	22.2	22.5±1	/
Band12	3MHz	QPSK	23025	8RB#7	22.22	22.5±1	/
Band12	3MHz	QPSK	23025	15RB#0	22.25	22.5±1	/
Band12	3MHz	QPSK	23095	1RB#0	23.25	22.5±1	/
Band12	3MHz	QPSK	23095	1RB#8	23.32	22.5±1	/
Band12	3MHz	QPSK	23095	1RB#14	23.45	22.5±1	/
Band12	3MHz	QPSK	23095	8RB#0	22.4	22.5±1	/
Band12	3MHz	QPSK	23095	8RB#4	22.39	22.5±1	/
Band12	3MHz	QPSK	23095	8RB#7	22.47	22.5±1	/
Band12	3MHz	QPSK	23095	15RB#0	22.39	22.5±1	/
Band12	3MHz	QPSK	23165	1RB#0	23.46	22.5±1	/
Band12	3MHz	QPSK	23165	1RB#8	23.36	22.5±1	/
Band12	3MHz	QPSK	23165	1RB#14	23.45	22.5±1	/
Band12	3MHz	QPSK	23165	8RB#0	22.6	22.5±1	/
Band12	3MHz	QPSK	23165	8RB#4	22.61	22.5±1	/
Band12	3MHz	QPSK	23165	8RB#7	22.56	22.5±1	/

Band	Bandwidth	Modulation	Channel	RB Configuration	Average Power (dbm)	Tune up Limited (dBm)	MPR (dB)
Band12	3MHz	QPSK	23165	15RB#0	22.53	22.5±1	/
Band12	3MHz	16QAM	23025	1RB#0	22.08	22±1	/
Band12	3MHz	16QAM	23025	1RB#8	22.6	22±1	/
Band12	3MHz	16QAM	23025	1RB#14	22.43	22±1	/
Band12	3MHz	16QAM	23025	8RB#0	21.28	22±1	/
Band12	3MHz	16QAM	23025	8RB#4	21.14	22±1	/
Band12	3MHz	16QAM	23025	8RB#7	21.3	22±1	/
Band12	3MHz	16QAM	23025	15RB#0	21.18	22±1	/
Band12	3MHz	16QAM	23095	1RB#0	22.2	22±1	/
Band12	3MHz	16QAM	23095	1RB#8	22.26	22±1	/
Band12	3MHz	16QAM	23095	1RB#14	22.58	22±1	/
Band12	3MHz	16QAM	23095	8RB#0	21.35	22±1	/
Band12	3MHz	16QAM	23095	8RB#4	21.44	22±1	/
Band12	3MHz	16QAM	23095	8RB#7	21.3	22±1	/
Band12	3MHz	16QAM	23095	15RB#0	21.39	22±1	/
Band12	3MHz	16QAM	23165	1RB#0	22.59	22±1	/
Band12	3MHz	16QAM	23165	1RB#8	22.63	22±1	/
Band12	3MHz	16QAM	23165	1RB#14	22.63	22±1	/
Band12	3MHz	16QAM	23165	8RB#0	21.62	22±1	/
Band12	3MHz	16QAM	23165	8RB#4	21.32	22±1	/
Band12	3MHz	16QAM	23165	8RB#7	21.58	22±1	/
Band12	3MHz	16QAM	23165	15RB#0	21.36	22±1	/
Band12	5MHz	QPSK	23035	1RB#0	23.27	23.5±1	/
Band12	5MHz	QPSK	23035	1RB#12	23.33	23.5±1	/
Band12	5MHz	QPSK	23035	1RB#24	23.47	23.5±1	/
Band12	5MHz	QPSK	23035	12RB#0	22.23	22.5±1	1
Band12	5MHz	QPSK	23035	12RB#6	22.24	22.5±1	1
Band12	5MHz	QPSK	23035	12RB#13	22.27	22.5±1	1
Band12	5MHz	QPSK	23035	25RB#0	22.19	22.5±1	1
Band12	5MHz	QPSK	23095	1RB#0	23.38	23.5±1	/
Band12	5MHz	QPSK	23095	1RB#12	23.67	23.5±1	/
Band12	5MHz	QPSK	23095	1RB#24	23.54	23.5±1	/
Band12	5MHz	QPSK	23095	12RB#0	22.35	22.5±1	1
Band12	5MHz	QPSK	23095	12RB#6	22.45	22.5±1	1
Band12	5MHz	QPSK	23095	12RB#13	22.48	22.5±1	1
Band12	5MHz	QPSK	23095	25RB#0	22.42	22.5±1	1
Band12	5MHz	QPSK	23155	1RB#0	23.48	23.5±1	/
Band12	5MHz	QPSK	23155	1RB#12	23.44	23.5±1	/
Band12	5MHz	QPSK	23155	1RB#24	23.34	23.5±1	/
Band12	5MHz	QPSK	23155	12RB#0	22.55	23.5±1	/
Band12	5MHz	QPSK	23155	12RB#6	22.56	23.5±1	/

Band	Bandwidth	Modulation	Channel	RB Configuration	Average Power (dbm)	Tune up Limited (dBm)	MPR (dB)
Band12	5MHz	QPSK	23155	12RB#13	22.47	22.5±1	1
Band12	5MHz	QPSK	23155	25RB#0	22.52	23.5±1	/
Band12	5MHz	16QAM	23035	1RB#0	21.97	22±1	/
Band12	5MHz	16QAM	23035	1RB#12	22.4	22±1	/
Band12	5MHz	16QAM	23035	1RB#24	21.99	22±1	/
Band12	5MHz	16QAM	23035	12RB#0	21.27	22±1	/
Band12	5MHz	16QAM	23035	12RB#6	21.05	22±1	/
Band12	5MHz	16QAM	23035	12RB#13	21.17	22±1	/
Band12	5MHz	16QAM	23035	25RB#0	21.08	22±1	/
Band12	5MHz	16QAM	23095	1RB#0	22.43	22±1	/
Band12	5MHz	16QAM	23095	1RB#12	22.51	22±1	/
Band12	5MHz	16QAM	23095	1RB#24	22.29	22±1	/
Band12	5MHz	16QAM	23095	12RB#0	21.35	22±1	/
Band12	5MHz	16QAM	23095	12RB#6	21.41	22±1	/
Band12	5MHz	16QAM	23095	12RB#13	21.47	22±1	/
Band12	5MHz	16QAM	23095	25RB#0	21.47	22±1	/
Band12	5MHz	16QAM	23155	1RB#0	22.68	22±1	/
Band12	5MHz	16QAM	23155	1RB#12	22.65	22±1	/
Band12	5MHz	16QAM	23155	1RB#24	22.53	22±1	/
Band12	5MHz	16QAM	23155	12RB#0	21.6	22±1	/
Band12	5MHz	16QAM	23155	12RB#6	21.6	22±1	/
Band12	5MHz	16QAM	23155	12RB#13	21.43	22±1	/
Band12	5MHz	16QAM	23155	25RB#0	21.58	22±1	/
Band12	10MHz	QPSK	23060	1RB#0	23.37	23±1	/
Band12	10MHz	QPSK	23060	1RB#24	23.44	23±1	/
Band12	10MHz	QPSK	23060	1RB#49	23.52	23±1	/
Band12	10MHz	QPSK	23060	25RB#0	22.17	23±1	/
Band12	10MHz	QPSK	23060	25RB#12	22.15	23±1	/
Band12	10MHz	QPSK	23060	25RB#25	22.55	23±1	/
Band12	10MHz	QPSK	23060	50RB#0	22.26	23±1	/
Band12	10MHz	QPSK	23095	1RB#0	23.07	23±1	/
Band12	10MHz	QPSK	23095	1RB#24	23.78	23±1	/
Band12	10MHz	QPSK	23095	1RB#49	23.88	23±1	/
Band12	10MHz	QPSK	23095	25RB#0	22.36	23±1	/
Band12	10MHz	QPSK	23095	25RB#12	22.34	23±1	/
Band12	10MHz	QPSK	23095	25RB#25	22.51	23±1	/
Band12	10MHz	QPSK	23095	50RB#0	22.39	23±1	/
Band12	10MHz	QPSK	23130	1RB#0	23.27	23±1	/
Band12	10MHz	QPSK	23130	1RB#24	24	23±1	/
Band12	10MHz	QPSK	23130	1RB#49	23.44	23±1	/
Band12	10MHz	QPSK	23130	25RB#0	22.58	23±1	/

Band	Bandwidth	Modulation	Channel	RB Configuration	Average Power (dbm)	Tune up Limited (dBm)	MPR (dB)
Band12	10MHz	QPSK	23130	25RB#12	22.58	23±1	/
Band12	10MHz	QPSK	23130	25RB#25	22.53	23±1	/
Band12	10MHz	QPSK	23130	50RB#0	22.51	23±1	/
Band12	10MHz	16QAM	23060	1RB#0	22.25	23±1	/
Band12	10MHz	16QAM	23060	1RB#24	22.57	23±1	/
Band12	10MHz	16QAM	23060	1RB#49	22.48	23±1	/
Band12	10MHz	16QAM	23060	25RB#0	21.15	22±1	1
Band12	10MHz	16QAM	23060	25RB#12	21.25	22±1	1
Band12	10MHz	16QAM	23060	25RB#25	21.43	22±1	1
Band12	10MHz	16QAM	23060	50RB#0	21.37	22±1	1
Band12	10MHz	16QAM	23095	1RB#0	22.15	23±1	/
Band12	10MHz	16QAM	23095	1RB#24	23.26	23±1	/
Band12	10MHz	16QAM	23095	1RB#49	22.36	23±1	/
Band12	10MHz	16QAM	23095	25RB#0	21.36	22±1	1
Band12	10MHz	16QAM	23095	25RB#12	21.26	22±1	1
Band12	10MHz	16QAM	23095	25RB#25	21.46	22±1	1
Band12	10MHz	16QAM	23095	50RB#0	21.42	22±1	1
Band12	10MHz	16QAM	23130	1RB#0	22.67	23±1	/
Band12	10MHz	16QAM	23130	1RB#24	23.5	23±1	/
Band12	10MHz	16QAM	23130	1RB#49	22.86	23±1	/
Band12	10MHz	16QAM	23130	25RB#0	21.61	22±1	1
Band12	10MHz	16QAM	23130	25RB#12	21.51	22±1	1
Band12	10MHz	16QAM	23130	25RB#25	21.69	22±1	1
Band12	10MHz	16QAM	23130	50RB#0	21.53	22±1	1
Band13	5MHz	QPSK	23205	1RB#0	23.43	23±1	/
Band13	5MHz	QPSK	23205	1RB#12	23.56	23±1	/
Band13	5MHz	QPSK	23205	1RB#24	23.72	23±1	/
Band13	5MHz	QPSK	23205	12RB#0	22.55	23±1	/
Band13	5MHz	QPSK	23205	12RB#6	22.64	23±1	/
Band13	5MHz	QPSK	23205	12RB#13	22.57	23±1	/
Band13	5MHz	QPSK	23205	25RB#0	22.62	23±1	/
Band13	5MHz	QPSK	23230	1RB#0	23.54	23±1	/
Band13	5MHz	QPSK	23230	1RB#12	23.97	23±1	/
Band13	5MHz	QPSK	23230	1RB#24	23.86	23±1	/
Band13	5MHz	QPSK	23230	12RB#0	22.66	23±1	/
Band13	5MHz	QPSK	23230	12RB#6	22.69	23±1	/
Band13	5MHz	QPSK	23230	12RB#13	22.63	23±1	/
Band13	5MHz	QPSK	23230	25RB#0	22.61	23±1	/
Band13	5MHz	QPSK	23255	1RB#0	23.68	23±1	/
Band13	5MHz	QPSK	23255	1RB#12	23.58	23±1	/
Band13	5MHz	QPSK	23255	1RB#24	23.78	23±1	/

Band	Bandwidth	Modulation	Channel	RB Configuration	Average Power (dbm)	Tune up Limited (dBm)	MPR (dB)
Band13	5MHz	QPSK	23255	12RB#0	22.55	23±1	/
Band13	5MHz	QPSK	23255	12RB#6	22.57	23±1	/
Band13	5MHz	QPSK	23255	12RB#13	22.73	23±1	/
Band13	5MHz	QPSK	23255	25RB#0	22.57	23±1	/
Band13	5MHz	16QAM	23205	1RB#0	22.26	22±1	/
Band13	5MHz	16QAM	23205	1RB#12	22.59	22±1	/
Band13	5MHz	16QAM	23205	1RB#24	22.77	22±1	/
Band13	5MHz	16QAM	23205	12RB#0	21.63	22±1	/
Band13	5MHz	16QAM	23205	12RB#6	21.71	22±1	/
Band13	5MHz	16QAM	23205	12RB#13	21.63	22±1	/
Band13	5MHz	16QAM	23205	25RB#0	21.53	22±1	/
Band13	5MHz	16QAM	23230	1RB#0	22.97	22±1	/
Band13	5MHz	16QAM	23230	1RB#12	22.9	22±1	/
Band13	5MHz	16QAM	23230	1RB#24	22.87	22±1	/
Band13	5MHz	16QAM	23230	12RB#0	21.63	22±1	/
Band13	5MHz	16QAM	23230	12RB#6	21.49	22±1	/
Band13	5MHz	16QAM	23230	12RB#13	21.45	22±1	/
Band13	5MHz	16QAM	23230	25RB#0	21.74	22±1	/
Band13	5MHz	16QAM	23255	1RB#0	21.97	22±1	/
Band13	5MHz	16QAM	23255	1RB#12	22.34	22±1	/
Band13	5MHz	16QAM	23255	1RB#24	22.27	22±1	/
Band13	5MHz	16QAM	23255	12RB#0	21.57	22±1	/
Band13	5MHz	16QAM	23255	12RB#6	21.4	22±1	/
Band13	5MHz	16QAM	23255	12RB#13	21.7	22±1	/
Band13	5MHz	16QAM	23255	25RB#0	21.67	22±1	/
Band13	10MHz	QPSK	23230	1RB#0	23.38	23±1	/
Band13	10MHz	QPSK	23230	1RB#24	23.7	23±1	/
Band13	10MHz	QPSK	23230	1RB#49	23.69	23±1	/
Band13	10MHz	QPSK	23230	25RB#0	22.71	23±1	/
Band13	10MHz	QPSK	23230	25RB#12	22.74	23±1	/
Band13	10MHz	QPSK	23230	25RB#25	22.67	23±1	/
Band13	10MHz	QPSK	23230	50RB#0	22.66	23±1	/
Band13	10MHz	16QAM	23230	1RB#0	22.38	23±1	/
Band13	10MHz	16QAM	23230	1RB#24	22.91	23±1	/
Band13	10MHz	16QAM	23230	1RB#49	22.85	23±1	/
Band13	10MHz	16QAM	23230	25RB#0	21.73	22±1	1
Band13	10MHz	16QAM	23230	25RB#12	21.73	22±1	1
Band13	10MHz	16QAM	23230	25RB#25	21.62	22±1	1
Band13	10MHz	16QAM	23230	50RB#0	21.64	22±1	1
Band25	1.4MHz	QPSK	26047	1RB#0	23.88	23±1	/
Band25	1.4MHz	QPSK	26047	1RB#2	23.79	23±1	/

Band	Bandwidth	Modulation	Channel	RB Configuration	Average Power (dbm)	Tune up Limited (dBm)	MPR (dB)
Band25	1.4MHz	QPSK	26047	1RB#5	23.77	23±1	/
Band25	1.4MHz	QPSK	26047	3RB#0	23.86	23±1	/
Band25	1.4MHz	QPSK	26047	3RB#1	23.84	23±1	/
Band25	1.4MHz	QPSK	26047	3RB#3	23.9	23±1	/
Band25	1.4MHz	QPSK	26047	6RB#0	22.89	23±1	/
Band25	1.4MHz	QPSK	26365	1RB#0	23.28	23±1	/
Band25	1.4MHz	QPSK	26365	1RB#2	23.35	23±1	/
Band25	1.4MHz	QPSK	26365	1RB#5	23.29	23±1	/
Band25	1.4MHz	QPSK	26365	3RB#0	23.44	23±1	/
Band25	1.4MHz	QPSK	26365	3RB#1	23.36	23±1	/
Band25	1.4MHz	QPSK	26365	3RB#3	23.31	23±1	/
Band25	1.4MHz	QPSK	26365	6RB#0	22.45	23±1	/
Band25	1.4MHz	QPSK	26683	1RB#0	22.46	23±1	/
Band25	1.4MHz	QPSK	26683	1RB#2	21.8	22±1	1
Band25	1.4MHz	QPSK	26683	1RB#5	21.94	22±1	1
Band25	1.4MHz	QPSK	26683	3RB#0	21.86	22±1	1
Band25	1.4MHz	QPSK	26683	3RB#1	21.77	22±1	1
Band25	1.4MHz	QPSK	26683	3RB#3	21.49	22±1	1
Band25	1.4MHz	QPSK	26683	6RB#0	21.48	22±1	1
Band25	1.4MHz	16QAM	26047	1RB#0	23.01	22.5±1	/
Band25	1.4MHz	16QAM	26047	1RB#2	23.07	22.5±1	/
Band25	1.4MHz	16QAM	26047	1RB#5	22.76	22.5±1	/
Band25	1.4MHz	16QAM	26047	3RB#0	22.77	22.5±1	/
Band25	1.4MHz	16QAM	26047	3RB#1	22.98	22.5±1	/
Band25	1.4MHz	16QAM	26047	3RB#3	22.83	22.5±1	/
Band25	1.4MHz	16QAM	26047	6RB#0	21.73	22.5±1	/
Band25	1.4MHz	16QAM	26365	1RB#0	22.78	22.5±1	/
Band25	1.4MHz	16QAM	26365	1RB#2	22.6	22.5±1	/
Band25	1.4MHz	16QAM	26365	1RB#5	22.56	22.5±1	/
Band25	1.4MHz	16QAM	26365	3RB#0	22.33	22.5±1	/
Band25	1.4MHz	16QAM	26365	3RB#1	22.32	22.5±1	/
Band25	1.4MHz	16QAM	26365	3RB#3	22.34	22.5±1	/
Band25	1.4MHz	16QAM	26365	6RB#0	21.49	21.5±1	1
Band25	1.4MHz	16QAM	26683	1RB#0	21.51	22.5±1	/
Band25	1.4MHz	16QAM	26683	1RB#2	21.4	21.5±1	1
Band25	1.4MHz	16QAM	26683	1RB#5	22.02	22.5±1	/
Band25	1.4MHz	16QAM	26683	3RB#0	20.97	21.5±1	1
Band25	1.4MHz	16QAM	26683	3RB#1	20.9	21.5±1	1
Band25	1.4MHz	16QAM	26683	3RB#3	20.81	21.5±1	1
Band25	1.4MHz	16QAM	26683	6RB#0	20.67	21.5±1	1
Band25	3MHz	QPSK	26055	1RB#0	24.16	23.5±1	/

Band	Bandwidth	Modulation	Channel	RB Configuration	Average Power (dbm)	Tune up Limited (dBm)	MPR (dB)
Band25	3MHz	QPSK	26055	1RB#8	23.83	23.5±1	/
Band25	3MHz	QPSK	26055	1RB#14	23.92	23.5±1	/
Band25	3MHz	QPSK	26055	8RB#0	23.02	23.5±1	/
Band25	3MHz	QPSK	26055	8RB#4	22.94	23.5±1	/
Band25	3MHz	QPSK	26055	8RB#7	22.87	23.5±1	/
Band25	3MHz	QPSK	26055	15RB#0	22.92	23.5±1	/
Band25	3MHz	QPSK	26365	1RB#0	23.43	23.5±1	/
Band25	3MHz	QPSK	26365	1RB#8	23.56	23.5±1	/
Band25	3MHz	QPSK	26365	1RB#14	23.33	23.5±1	/
Band25	3MHz	QPSK	26365	8RB#0	22.57	23.5±1	/
Band25	3MHz	QPSK	26365	8RB#4	22.5	23.5±1	/
Band25	3MHz	QPSK	26365	8RB#7	22.46	22.5±1	1
Band25	3MHz	QPSK	26365	15RB#0	22.5	23.5±1	/
Band25	3MHz	QPSK	26675	1RB#0	23.3	23.5±1	/
Band25	3MHz	QPSK	26675	1RB#8	22.11	22.5±1	1
Band25	3MHz	QPSK	26675	1RB#14	21.03	22.5±1	1
Band25	3MHz	QPSK	26675	8RB#0	22.51	23.5±1	/
Band25	3MHz	QPSK	26675	8RB#4	22.5	23.5±1	/
Band25	3MHz	QPSK	26675	8RB#7	21.46	22.5±1	1
Band25	3MHz	QPSK	26675	15RB#0	21.92	22.5±1	1
Band25	3MHz	16QAM	26055	1RB#0	22.83	22±1	/
Band25	3MHz	16QAM	26055	1RB#8	22.83	22±1	/
Band25	3MHz	16QAM	26055	1RB#14	22.73	22±1	/
Band25	3MHz	16QAM	26055	8RB#0	21.99	22±1	/
Band25	3MHz	16QAM	26055	8RB#4	22.18	22±1	/
Band25	3MHz	16QAM	26055	8RB#7	22.12	22±1	/
Band25	3MHz	16QAM	26055	15RB#0	22.05	22±1	/
Band25	3MHz	16QAM	26365	1RB#0	22.8	22±1	/
Band25	3MHz	16QAM	26365	1RB#8	22.19	22±1	/
Band25	3MHz	16QAM	26365	1RB#14	22.36	22±1	/
Band25	3MHz	16QAM	26365	8RB#0	21.61	22±1	/
Band25	3MHz	16QAM	26365	8RB#4	21.62	22±1	/
Band25	3MHz	16QAM	26365	8RB#7	21.68	22±1	/
Band25	3MHz	16QAM	26365	15RB#0	21.43	22±1	/
Band25	3MHz	16QAM	26675	1RB#0	22.12	22±1	/
Band25	3MHz	16QAM	26675	1RB#8	21.16	22±1	/
Band25	3MHz	16QAM	26675	1RB#14	20.08	21±1	1
Band25	3MHz	16QAM	26675	8RB#0	21.72	22±1	/
Band25	3MHz	16QAM	26675	8RB#4	21.69	22±1	/
Band25	3MHz	16QAM	26675	8RB#7	20.65	21±1	1
Band25	3MHz	16QAM	26675	15RB#0	21.06	22±1	/

Band	Bandwidth	Modulation	Channel	RB Configuration	Average Power (dbm)	Tune up Limited (dBm)	MPR (dB)
Band25	5MHz	QPSK	26065	1RB#0	23.39	22.5±1	/
Band25	5MHz	QPSK	26065	1RB#12	23.37	22.5±1	/
Band25	5MHz	QPSK	26065	1RB#24	23.4	22.5±1	/
Band25	5MHz	QPSK	26065	12RB#0	22.45	22.5±1	/
Band25	5MHz	QPSK	26065	12RB#6	22.51	22.5±1	/
Band25	5MHz	QPSK	26065	12RB#13	22.31	22.5±1	/
Band25	5MHz	QPSK	26065	25RB#0	22.38	22.5±1	/
Band25	5MHz	QPSK	26365	1RB#0	23.06	22.5±1	/
Band25	5MHz	QPSK	26365	1RB#12	22.91	22.5±1	/
Band25	5MHz	QPSK	26365	1RB#24	22.76	22.5±1	/
Band25	5MHz	QPSK	26365	12RB#0	22.07	22.5±1	/
Band25	5MHz	QPSK	26365	12RB#6	22.05	22.5±1	/
Band25	5MHz	QPSK	26365	12RB#13	21.95	22.5±1	/
Band25	5MHz	QPSK	26365	25RB#0	21.97	22.5±1	/
Band25	5MHz	QPSK	26665	1RB#0	23.32	22.5±1	/
Band25	5MHz	QPSK	26665	1RB#12	23.21	22.5±1	/
Band25	5MHz	QPSK	26665	1RB#24	22.93	22.5±1	/
Band25	5MHz	QPSK	26665	12RB#0	22.5	22.5±1	/
Band25	5MHz	QPSK	26665	12RB#6	22.44	22.5±1	/
Band25	5MHz	QPSK	26665	12RB#13	22.28	22.5±1	/
Band25	5MHz	QPSK	26665	25RB#0	22.45	22.5±1	/
Band25	5MHz	16QAM	26065	1RB#0	22.28	22±1	/
Band25	5MHz	16QAM	26065	1RB#12	22.2	22±1	/
Band25	5MHz	16QAM	26065	1RB#24	22.41	22±1	/
Band25	5MHz	16QAM	26065	12RB#0	21.4	22±1	/
Band25	5MHz	16QAM	26065	12RB#6	21.41	22±1	/
Band25	5MHz	16QAM	26065	12RB#13	21.57	22±1	/
Band25	5MHz	16QAM	26065	25RB#0	21.34	22±1	/
Band25	5MHz	16QAM	26365	1RB#0	22.32	22±1	/
Band25	5MHz	16QAM	26365	1RB#12	21.97	22±1	/
Band25	5MHz	16QAM	26365	1RB#24	21.95	22±1	/
Band25	5MHz	16QAM	26365	12RB#0	21.01	22±1	/
Band25	5MHz	16QAM	26365	12RB#6	20.99	21±1	1
Band25	5MHz	16QAM	26365	12RB#13	21.18	22±1	/
Band25	5MHz	16QAM	26365	25RB#0	20.91	21±1	1
Band25	5MHz	16QAM	26665	1RB#0	21.97	22±1	/
Band25	5MHz	16QAM	26665	1RB#12	21.77	22±1	/
Band25	5MHz	16QAM	26665	1RB#24	21.96	22±1	/
Band25	5MHz	16QAM	26665	12RB#0	21.58	22±1	/
Band25	5MHz	16QAM	26665	12RB#6	21.47	22±1	/
Band25	5MHz	16QAM	26665	12RB#13	21.27	22±1	/

Band	Bandwidth	Modulation	Channel	RB Configuration	Average Power (dbm)	Tune up Limited (dBm)	MPR (dB)
Band25	5MHz	16QAM	26665	25RB#0	21.47	22±1	/
Band25	10MHz	QPSK	26090	1RB#0	23.82	23±1	/
Band25	10MHz	QPSK	26090	1RB#24	23.81	23±1	/
Band25	10MHz	QPSK	26090	1RB#49	23.73	23±1	/
Band25	10MHz	QPSK	26090	25RB#0	22.97	23±1	/
Band25	10MHz	QPSK	26090	25RB#12	22.88	23±1	/
Band25	10MHz	QPSK	26090	25RB#25	22.76	23±1	/
Band25	10MHz	QPSK	26090	50RB#0	22.81	23±1	/
Band25	10MHz	QPSK	26365	1RB#0	23.37	23±1	/
Band25	10MHz	QPSK	26365	1RB#24	23.61	23±1	/
Band25	10MHz	QPSK	26365	1RB#49	23.35	23±1	/
Band25	10MHz	QPSK	26365	25RB#0	22.58	23±1	/
Band25	10MHz	QPSK	26365	25RB#12	22.59	23±1	/
Band25	10MHz	QPSK	26365	25RB#25	22.39	23±1	/
Band25	10MHz	QPSK	26365	50RB#0	22.44	23±1	/
Band25	10MHz	QPSK	26640	1RB#0	23.84	23±1	/
Band25	10MHz	QPSK	26640	1RB#24	23.81	23±1	/
Band25	10MHz	QPSK	26640	1RB#49	20.94	22±1	1
Band25	10MHz	QPSK	26640	25RB#0	22.78	23±1	/
Band25	10MHz	QPSK	26640	25RB#12	22.82	23±1	/
Band25	10MHz	QPSK	26640	25RB#25	22.77	23±1	/
Band25	10MHz	QPSK	26640	50RB#0	22.75	23±1	/
Band25	10MHz	16QAM	26090	1RB#0	23.34	22.5±1	/
Band25	10MHz	16QAM	26090	1RB#24	22.84	22.5±1	/
Band25	10MHz	16QAM	26090	1RB#49	22.7	22.5±1	/
Band25	10MHz	16QAM	26090	25RB#0	21.98	22.5±1	/
Band25	10MHz	16QAM	26090	25RB#12	21.81	22.5±1	/
Band25	10MHz	16QAM	26090	25RB#25	21.85	22.5±1	/
Band25	10MHz	16QAM	26090	50RB#0	21.83	22.5±1	/
Band25	10MHz	16QAM	26365	1RB#0	22.88	22.5±1	/
Band25	10MHz	16QAM	26365	1RB#24	22.44	22.5±1	/
Band25	10MHz	16QAM	26365	1RB#49	22.41	22.5±1	/
Band25	10MHz	16QAM	26365	25RB#0	21.53	22.5±1	/
Band25	10MHz	16QAM	26365	25RB#12	21.52	22.5±1	/
Band25	10MHz	16QAM	26365	25RB#25	21.53	22.5±1	/
Band25	10MHz	16QAM	26365	50RB#0	21.46	21.5±1	1
Band25	10MHz	16QAM	26640	1RB#0	22.9	22.5±1	/
Band25	10MHz	16QAM	26640	1RB#24	23.03	22.5±1	/
Band25	10MHz	16QAM	26640	1RB#49	20	21.5±1	1
Band25	10MHz	16QAM	26640	25RB#0	21.91	22.5±1	/
Band25	10MHz	16QAM	26640	25RB#12	21.91	22.5±1	/

Band	Bandwidth	Modulation	Channel	RB Configuration	Average Power (dbm)	Tune up Limited (dBm)	MPR (dB)
Band25	10MHz	16QAM	26640	25RB#25	21.96	22.5±1	/
Band25	10MHz	16QAM	26640	50RB#0	21.77	22.5±1	/
Band25	15MHz	QPSK	26115	1RB#0	23.9	23±1	/
Band25	15MHz	QPSK	26115	1RB#38	23.75	23±1	/
Band25	15MHz	QPSK	26115	1RB#74	23.94	23±1	/
Band25	15MHz	QPSK	26115	38RB#0	22.79	23±1	/
Band25	15MHz	QPSK	26115	38RB#18	22.78	23±1	/
Band25	15MHz	QPSK	26115	38RB#37	22.78	23±1	/
Band25	15MHz	QPSK	26115	75RB#0	22.78	23±1	/
Band25	15MHz	QPSK	26365	1RB#0	23.44	23±1	/
Band25	15MHz	QPSK	26365	1RB#38	23.3	23±1	/
Band25	15MHz	QPSK	26365	1RB#74	23.28	23±1	/
Band25	15MHz	QPSK	26365	38RB#0	22.5	23±1	/
Band25	15MHz	QPSK	26365	38RB#18	22.49	23±1	/
Band25	15MHz	QPSK	26365	38RB#37	22.49	23±1	/
Band25	15MHz	QPSK	26365	75RB#0	22.49	23±1	/
Band25	15MHz	QPSK	26615	1RB#0	23.82	23±1	/
Band25	15MHz	QPSK	26615	1RB#38	23.85	23±1	/
Band25	15MHz	QPSK	26615	1RB#74	21.03	22±1	1
Band25	15MHz	QPSK	26615	38RB#0	22.93	23±1	/
Band25	15MHz	QPSK	26615	38RB#18	22.82	23±1	/
Band25	15MHz	QPSK	26615	38RB#37	22.81	23±1	/
Band25	15MHz	QPSK	26615	75RB#0	22.8	23±1	/
Band25	15MHz	16QAM	26115	1RB#0	23.04	22.5±1	/
Band25	15MHz	16QAM	26115	1RB#38	22.83	22.5±1	/
Band25	15MHz	16QAM	26115	1RB#74	22.74	22.5±1	/
Band25	15MHz	16QAM	26115	38RB#0	22.78	22.5±1	/
Band25	15MHz	16QAM	26115	38RB#18	22.78	22.5±1	/
Band25	15MHz	16QAM	26115	38RB#37	22.78	22.5±1	/
Band25	15MHz	16QAM	26115	75RB#0	21.97	22.5±1	/
Band25	15MHz	16QAM	26365	1RB#0	22.46	22.5±1	/
Band25	15MHz	16QAM	26365	1RB#38	22.26	22.5±1	/
Band25	15MHz	16QAM	26365	1RB#74	22.44	22.5±1	/
Band25	15MHz	16QAM	26365	38RB#0	22.49	22.5±1	/
Band25	15MHz	16QAM	26365	38RB#18	22.49	22.5±1	/
Band25	15MHz	16QAM	26365	38RB#37	22.49	22.5±1	/
Band25	15MHz	16QAM	26365	75RB#0	21.52	22.5±1	/
Band25	15MHz	16QAM	26615	1RB#0	23.14	22.5±1	/
Band25	15MHz	16QAM	26615	1RB#38	23.01	22.5±1	/
Band25	15MHz	16QAM	26615	1RB#74	20.03	21.5±1	1
Band25	15MHz	16QAM	26615	38RB#0	22.83	22.5±1	/

Band	Bandwidth	Modulation	Channel	RB Configuration	Average Power (dbm)	Tune up Limited (dBm)	MPR (dB)
Band25	15MHz	16QAM	26615	38RB#18	22.81	22.5±1	/
Band25	15MHz	16QAM	26615	38RB#37	22.8	22.5±1	/
Band25	15MHz	16QAM	26615	75RB#0	21.89	22.5±1	/
Band25	20MHz	QPSK	26140	1RB#0	23.88	23.5±1	/
Band25	20MHz	QPSK	26140	1RB#49	24.19	23.5±1	/
Band25	20MHz	QPSK	26140	1RB#99	23.93	23.5±1	/
Band25	20MHz	QPSK	26140	50RB#0	22.99	23.5±1	/
Band25	20MHz	QPSK	26140	50RB#25	23.01	23.5±1	/
Band25	20MHz	QPSK	26140	50RB#50	22.89	23.5±1	/
Band25	20MHz	QPSK	26140	100RB#0	22.87	23.5±1	/
Band25	20MHz	QPSK	26365	1RB#0	23.69	23.5±1	/
Band25	20MHz	QPSK	26365	1RB#49	23.77	23.5±1	/
Band25	20MHz	QPSK	26365	1RB#99	23.58	23.5±1	/
Band25	20MHz	QPSK	26365	50RB#0	22.65	23.5±1	/
Band25	20MHz	QPSK	26365	50RB#25	22.67	23.5±1	/
Band25	20MHz	QPSK	26365	50RB#50	22.52	23.5±1	/
Band25	20MHz	QPSK	26365	100RB#0	22.52	23.5±1	/
Band25	20MHz	QPSK	26590	1RB#0	23.57	23.5±1	/
Band25	20MHz	QPSK	26590	1RB#49	24	23.5±1	/
Band25	20MHz	QPSK	26590	1RB#99	21.08	22.5±1	1
Band25	20MHz	QPSK	26590	50RB#0	22.9	23.5±1	/
Band25	20MHz	QPSK	26590	50RB#25	22.82	23.5±1	/
Band25	20MHz	QPSK	26590	50RB#50	22.83	23.5±1	/
Band25	20MHz	QPSK	26590	100RB#0	22.8	23.5±1	/
Band25	20MHz	16QAM	26140	1RB#0	23.13	22.5±1	/
Band25	20MHz	16QAM	26140	1RB#49	23.44	22.5±1	/
Band25	20MHz	16QAM	26140	1RB#99	22.86	22.5±1	/
Band25	20MHz	16QAM	26140	50RB#0	22.09	22.5±1	/
Band25	20MHz	16QAM	26140	50RB#25	22.11	22.5±1	/
Band25	20MHz	16QAM	26140	50RB#50	21.83	22.5±1	/
Band25	20MHz	16QAM	26140	100RB#0	21.79	22.5±1	/
Band25	20MHz	16QAM	26365	1RB#0	23.33	22.5±1	/
Band25	20MHz	16QAM	26365	1RB#49	23.05	22.5±1	/
Band25	20MHz	16QAM	26365	1RB#99	23.12	22.5±1	/
Band25	20MHz	16QAM	26365	50RB#0	21.62	22.5±1	/
Band25	20MHz	16QAM	26365	50RB#25	21.6	22.5±1	/
Band25	20MHz	16QAM	26365	50RB#50	21.55	22.5±1	/
Band25	20MHz	16QAM	26365	100RB#0	21.72	22.5±1	/
Band25	20MHz	16QAM	26590	1RB#0	22.68	22.5±1	/
Band25	20MHz	16QAM	26590	1RB#49	22.66	22.5±1	/
Band25	20MHz	16QAM	26590	1RB#99	20.3	21.5±1	1

Band	Bandwidth	Modulation	Channel	RB Configuration	Average Power (dbm)	Tune up Limited (dBm)	MPR (dB)
Band25	20MHz	16QAM	26590	50RB#0	21.9	22.5±1	/
Band25	20MHz	16QAM	26590	50RB#25	21.91	22.5±1	/
Band25	20MHz	16QAM	26590	50RB#50	21.97	22.5±1	/
Band25	20MHz	16QAM	26590	100RB#0	21.87	22.5±1	/
Band26	1.4MHz	QPSK	26697	1RB#0	23.84	23.5±1	/
Band26	1.4MHz	QPSK	26697	1RB#2	24.2	23.5±1	/
Band26	1.4MHz	QPSK	26697	1RB#5	23.82	23.5±1	/
Band26	1.4MHz	QPSK	26697	3RB#0	23.83	23.5±1	/
Band26	1.4MHz	QPSK	26697	3RB#1	23.81	23.5±1	/
Band26	1.4MHz	QPSK	26697	3RB#3	23.92	23.5±1	/
Band26	1.4MHz	QPSK	26697	6RB#0	23.03	23.5±1	/
Band26	1.4MHz	QPSK	26740	1RB#0	23.97	23.5±1	/
Band26	1.4MHz	QPSK	26740	1RB#2	24.13	23.5±1	/
Band26	1.4MHz	QPSK	26740	1RB#5	24.04	23.5±1	/
Band26	1.4MHz	QPSK	26740	3RB#0	23.99	23.5±1	/
Band26	1.4MHz	QPSK	26740	3RB#1	24.07	23.5±1	/
Band26	1.4MHz	QPSK	26740	3RB#3	23.96	23.5±1	/
Band26	1.4MHz	QPSK	26740	6RB#0	23.08	23.5±1	/
Band26	1.4MHz	QPSK	26783	1RB#0	23.99	23.5±1	/
Band26	1.4MHz	QPSK	26783	1RB#2	24.28	23.5±1	/
Band26	1.4MHz	QPSK	26783	1RB#5	24.2	23.5±1	/
Band26	1.4MHz	QPSK	26783	3RB#0	24.09	23.5±1	/
Band26	1.4MHz	QPSK	26783	3RB#1	23.86	23.5±1	/
Band26	1.4MHz	QPSK	26783	3RB#3	23.88	23.5±1	/
Band26	1.4MHz	QPSK	26783	6RB#0	23.06	23.5±1	/
Band26	1.4MHz	QPSK	26797	1RB#0	23.91	23.5±1	/
Band26	1.4MHz	QPSK	26797	1RB#2	23.79	23.5±1	/
Band26	1.4MHz	QPSK	26797	1RB#5	24.01	23.5±1	/
Band26	1.4MHz	QPSK	26797	3RB#0	24	23.5±1	/
Band26	1.4MHz	QPSK	26797	3RB#1	23.91	23.5±1	/
Band26	1.4MHz	QPSK	26797	3RB#3	23.74	23.5±1	/
Band26	1.4MHz	QPSK	26797	6RB#0	23	23.5±1	/
Band26	1.4MHz	QPSK	26915	1RB#0	23.78	23.5±1	/
Band26	1.4MHz	QPSK	26915	1RB#2	23.71	23.5±1	/
Band26	1.4MHz	QPSK	26915	1RB#5	23.69	23.5±1	/
Band26	1.4MHz	QPSK	26915	3RB#0	23.6	23.5±1	/
Band26	1.4MHz	QPSK	26915	3RB#1	23.63	23.5±1	/
Band26	1.4MHz	QPSK	26915	3RB#3	23.74	23.5±1	/
Band26	1.4MHz	QPSK	26915	6RB#0	22.68	23.5±1	/
Band26	1.4MHz	QPSK	27033	1RB#0	23.93	23.5±1	/
Band26	1.4MHz	QPSK	27033	1RB#2	23.82	23.5±1	/

Band	Bandwidth	Modulation	Channel	RB Configuration	Average Power (dbm)	Tune up Limited (dBm)	MPR (dB)
Band26	1.4MHz	QPSK	27033	1RB#5	23.74	23.5±1	/
Band26	1.4MHz	QPSK	27033	3RB#0	23.75	23.5±1	/
Band26	1.4MHz	QPSK	27033	3RB#1	23.84	23.5±1	/
Band26	1.4MHz	QPSK	27033	3RB#3	23.94	23.5±1	/
Band26	1.4MHz	QPSK	27033	6RB#0	22.9	23.5±1	/
Band26	1.4MHz	16QAM	26697	1RB#0	23.15	23±1	/
Band26	1.4MHz	16QAM	26697	1RB#2	23.02	23±1	/
Band26	1.4MHz	16QAM	26697	1RB#5	22.85	23±1	/
Band26	1.4MHz	16QAM	26697	3RB#0	22.85	23±1	/
Band26	1.4MHz	16QAM	26697	3RB#1	22.87	23±1	/
Band26	1.4MHz	16QAM	26697	3RB#3	23.02	23±1	/
Band26	1.4MHz	16QAM	26697	6RB#0	21.97	22±1	1
Band26	1.4MHz	16QAM	26740	1RB#0	23.29	23±1	/
Band26	1.4MHz	16QAM	26740	1RB#2	23.3	23±1	/
Band26	1.4MHz	16QAM	26740	1RB#5	23.19	23±1	/
Band26	1.4MHz	16QAM	26740	3RB#0	22.96	23±1	/
Band26	1.4MHz	16QAM	26740	3RB#1	23.02	23±1	/
Band26	1.4MHz	16QAM	26740	3RB#3	23	23±1	/
Band26	1.4MHz	16QAM	26740	6RB#0	21.89	22±1	1
Band26	1.4MHz	16QAM	26783	1RB#0	23.43	23±1	/
Band26	1.4MHz	16QAM	26783	1RB#2	23.51	23±1	/
Band26	1.4MHz	16QAM	26783	1RB#5	23.28	23±1	/
Band26	1.4MHz	16QAM	26783	3RB#0	23.01	23±1	/
Band26	1.4MHz	16QAM	26783	3RB#1	22.76	23±1	/
Band26	1.4MHz	16QAM	26783	3RB#3	22.67	23±1	/
Band26	1.4MHz	16QAM	26783	6RB#0	22.12	23±1	/
Band26	1.4MHz	16QAM	26797	1RB#0	23.12	23±1	/
Band26	1.4MHz	16QAM	26797	1RB#2	23.49	23±1	/
Band26	1.4MHz	16QAM	26797	1RB#5	23.1	23±1	/
Band26	1.4MHz	16QAM	26797	3RB#0	22.84	23±1	/
Band26	1.4MHz	16QAM	26797	3RB#1	22.8	23±1	/
Band26	1.4MHz	16QAM	26797	3RB#3	22.69	23±1	/
Band26	1.4MHz	16QAM	26797	6RB#0	21.9	22±1	1
Band26	1.4MHz	16QAM	26915	1RB#0	22.62	23±1	/
Band26	1.4MHz	16QAM	26915	1RB#2	22.64	23±1	/
Band26	1.4MHz	16QAM	26915	1RB#5	22.5	23±1	/
Band26	1.4MHz	16QAM	26915	3RB#0	22.69	23±1	/
Band26	1.4MHz	16QAM	26915	3RB#1	22.51	23±1	/
Band26	1.4MHz	16QAM	26915	3RB#3	22.67	23±1	/
Band26	1.4MHz	16QAM	26915	6RB#0	21.38	22±1	1
Band26	1.4MHz	16QAM	27033	1RB#0	22.98	23±1	/

Band	Bandwidth	Modulation	Channel	RB Configuration	Average Power (dbm)	Tune up Limited (dBm)	MPR (dB)
Band26	1.4MHz	16QAM	27033	1RB#2	23.09	23±1	/
Band26	1.4MHz	16QAM	27033	1RB#5	22.99	23±1	/
Band26	1.4MHz	16QAM	27033	3RB#0	22.7	23±1	/
Band26	1.4MHz	16QAM	27033	3RB#1	22.72	23±1	/
Band26	1.4MHz	16QAM	27033	3RB#3	22.66	23±1	/
Band26	1.4MHz	16QAM	27033	6RB#0	22.26	23±1	/
Band26	3MHz	QPSK	26705	1RB#0	23.88	23.5±1	/
Band26	3MHz	QPSK	26705	1RB#8	23.95	23.5±1	/
Band26	3MHz	QPSK	26705	1RB#14	24.05	23.5±1	/
Band26	3MHz	QPSK	26705	8RB#0	22.94	23.5±1	/
Band26	3MHz	QPSK	26705	8RB#4	22.98	23.5±1	/
Band26	3MHz	QPSK	26705	8RB#7	23.01	23.5±1	/
Band26	3MHz	QPSK	26705	15RB#0	23.02	23.5±1	/
Band26	3MHz	QPSK	26740	1RB#0	23.87	23.5±1	/
Band26	3MHz	QPSK	26740	1RB#8	24.06	23.5±1	/
Band26	3MHz	QPSK	26740	1RB#14	24.08	23.5±1	/
Band26	3MHz	QPSK	26740	8RB#0	22.98	23.5±1	/
Band26	3MHz	QPSK	26740	8RB#4	23.07	23.5±1	/
Band26	3MHz	QPSK	26740	8RB#7	22.95	23.5±1	/
Band26	3MHz	QPSK	26740	15RB#0	23.12	23.5±1	/
Band26	3MHz	QPSK	26775	1RB#0	24.02	23.5±1	/
Band26	3MHz	QPSK	26775	1RB#8	24.21	23.5±1	/
Band26	3MHz	QPSK	26775	1RB#14	24.05	23.5±1	/
Band26	3MHz	QPSK	26775	8RB#0	23.12	23.5±1	/
Band26	3MHz	QPSK	26775	8RB#4	23.03	23.5±1	/
Band26	3MHz	QPSK	26775	8RB#7	23.12	23.5±1	/
Band26	3MHz	QPSK	26775	15RB#0	23.07	23.5±1	/
Band26	3MHz	QPSK	26805	1RB#0	23.84	23.5±1	/
Band26	3MHz	QPSK	26805	1RB#8	23.93	23.5±1	/
Band26	3MHz	QPSK	26805	1RB#14	23.95	23.5±1	/
Band26	3MHz	QPSK	26805	8RB#0	22.94	23.5±1	/
Band26	3MHz	QPSK	26805	8RB#4	22.85	23.5±1	/
Band26	3MHz	QPSK	26805	8RB#7	22.95	23.5±1	/
Band26	3MHz	QPSK	26805	15RB#0	23.01	23.5±1	/
Band26	3MHz	QPSK	26915	1RB#0	23.52	23.5±1	/
Band26	3MHz	QPSK	26915	1RB#8	23.84	23.5±1	/
Band26	3MHz	QPSK	26915	1RB#14	23.92	23.5±1	/
Band26	3MHz	QPSK	26915	8RB#0	22.64	23.5±1	/
Band26	3MHz	QPSK	26915	8RB#4	22.67	23.5±1	/
Band26	3MHz	QPSK	26915	8RB#7	22.68	23.5±1	/
Band26	3MHz	QPSK	26915	15RB#0	22.68	23.5±1	/

Band	Bandwidth	Modulation	Channel	RB Configuration	Average Power (dbm)	Tune up Limited (dBm)	MPR (dB)
Band26	3MHz	QPSK	27025	1RB#0	24.02	23.5±1	/
Band26	3MHz	QPSK	27025	1RB#8	23.76	23.5±1	/
Band26	3MHz	QPSK	27025	1RB#14	23.66	23.5±1	/
Band26	3MHz	QPSK	27025	8RB#0	22.69	23.5±1	/
Band26	3MHz	QPSK	27025	8RB#4	23.02	23.5±1	/
Band26	3MHz	QPSK	27025	8RB#7	22.95	23.5±1	/
Band26	3MHz	QPSK	27025	15RB#0	22.72	23.5±1	/
Band26	3MHz	16QAM	26705	1RB#0	22.94	23±1	/
Band26	3MHz	16QAM	26705	1RB#8	22.91	23±1	/
Band26	3MHz	16QAM	26705	1RB#14	22.85	23±1	/
Band26	3MHz	16QAM	26705	8RB#0	22.07	23±1	/
Band26	3MHz	16QAM	26705	8RB#4	22.04	23±1	/
Band26	3MHz	16QAM	26705	8RB#7	22.25	23±1	/
Band26	3MHz	16QAM	26705	15RB#0	21.95	22±1	1
Band26	3MHz	16QAM	26740	1RB#0	23.02	23±1	/
Band26	3MHz	16QAM	26740	1RB#8	22.82	23±1	/
Band26	3MHz	16QAM	26740	1RB#14	22.98	23±1	/
Band26	3MHz	16QAM	26740	8RB#0	22.01	23±1	/
Band26	3MHz	16QAM	26740	8RB#4	21.74	22±1	1
Band26	3MHz	16QAM	26740	8RB#7	21.86	22±1	1
Band26	3MHz	16QAM	26740	15RB#0	22.03	23±1	/
Band26	3MHz	16QAM	26775	1RB#0	23.51	23±1	/
Band26	3MHz	16QAM	26775	1RB#8	23.39	23±1	/
Band26	3MHz	16QAM	26775	1RB#14	23.25	23±1	/
Band26	3MHz	16QAM	26775	8RB#0	21.93	22±1	1
Band26	3MHz	16QAM	26775	8RB#4	21.93	22±1	1
Band26	3MHz	16QAM	26775	8RB#7	22.06	23±1	/
Band26	3MHz	16QAM	26775	15RB#0	21.88	22±1	1
Band26	3MHz	16QAM	26805	1RB#0	22.88	23±1	/
Band26	3MHz	16QAM	26805	1RB#8	23.55	23±1	/
Band26	3MHz	16QAM	26805	1RB#14	22.89	23±1	/
Band26	3MHz	16QAM	26805	8RB#0	21.93	22±1	1
Band26	3MHz	16QAM	26805	8RB#4	21.94	22±1	1
Band26	3MHz	16QAM	26805	8RB#7	21.98	22±1	1
Band26	3MHz	16QAM	26805	15RB#0	21.81	22±1	1
Band26	3MHz	16QAM	26915	1RB#0	22.64	23±1	/
Band26	3MHz	16QAM	26915	1RB#8	22.89	23±1	/
Band26	3MHz	16QAM	26915	1RB#14	22.8	23±1	/
Band26	3MHz	16QAM	26915	8RB#0	21.77	22±1	1
Band26	3MHz	16QAM	26915	8RB#4	21.77	22±1	1
Band26	3MHz	16QAM	26915	8RB#7	21.8	22±1	1

Band	Bandwidth	Modulation	Channel	RB Configuration	Average Power (dbm)	Tune up Limited (dBm)	MPR (dB)
Band26	3MHz	16QAM	26915	15RB#0	21.47	22±1	1
Band26	3MHz	16QAM	27025	1RB#0	23.15	23±1	/
Band26	3MHz	16QAM	27025	1RB#8	22.77	23±1	/
Band26	3MHz	16QAM	27025	1RB#14	22.74	23±1	/
Band26	3MHz	16QAM	27025	8RB#0	22.1	23±1	/
Band26	3MHz	16QAM	27025	8RB#4	22.12	23±1	/
Band26	3MHz	16QAM	27025	8RB#7	21.94	22±1	1
Band26	3MHz	16QAM	27025	15RB#0	22.05	23±1	/
Band26	5MHz	QPSK	26715	1RB#0	23.77	23.5±1	/
Band26	5MHz	QPSK	26715	1RB#12	23.96	23.5±1	/
Band26	5MHz	QPSK	26715	1RB#24	23.94	23.5±1	/
Band26	5MHz	QPSK	26715	12RB#0	22.95	23.5±1	/
Band26	5MHz	QPSK	26715	12RB#6	22.89	23.5±1	/
Band26	5MHz	QPSK	26715	12RB#13	23.04	23.5±1	/
Band26	5MHz	QPSK	26715	25RB#0	22.91	23.5±1	/
Band26	5MHz	QPSK	26740	1RB#0	23.86	23.5±1	/
Band26	5MHz	QPSK	26740	1RB#12	24.23	23.5±1	/
Band26	5MHz	QPSK	26740	1RB#24	24.14	23.5±1	/
Band26	5MHz	QPSK	26740	12RB#0	23.08	23.5±1	/
Band26	5MHz	QPSK	26740	12RB#6	23.07	23.5±1	/
Band26	5MHz	QPSK	26740	12RB#13	22.96	23.5±1	/
Band26	5MHz	QPSK	26740	25RB#0	23.02	23.5±1	/
Band26	5MHz	QPSK	26765	1RB#0	23.9	23.5±1	/
Band26	5MHz	QPSK	26765	1RB#12	24.3	23.5±1	/
Band26	5MHz	QPSK	26765	1RB#24	24.03	23.5±1	/
Band26	5MHz	QPSK	26765	12RB#0	22.98	23.5±1	/
Band26	5MHz	QPSK	26765	12RB#6	23.17	23.5±1	/
Band26	5MHz	QPSK	26765	12RB#13	23.07	23.5±1	/
Band26	5MHz	QPSK	26765	25RB#0	23.02	23.5±1	/
Band26	5MHz	QPSK	26815	1RB#0	23.72	23.5±1	/
Band26	5MHz	QPSK	26815	1RB#12	23.99	23.5±1	/
Band26	5MHz	QPSK	26815	1RB#24	24.06	23.5±1	/
Band26	5MHz	QPSK	26815	12RB#0	22.93	23.5±1	/
Band26	5MHz	QPSK	26815	12RB#6	22.93	23.5±1	/
Band26	5MHz	QPSK	26815	12RB#13	23.05	23.5±1	/
Band26	5MHz	QPSK	26815	25RB#0	23.02	23.5±1	/
Band26	5MHz	QPSK	26915	1RB#0	23.56	23.5±1	/
Band26	5MHz	QPSK	26915	1RB#12	23.75	23.5±1	/
Band26	5MHz	QPSK	26915	1RB#24	23.85	23.5±1	/
Band26	5MHz	QPSK	26915	12RB#0	22.64	23.5±1	/
Band26	5MHz	QPSK	26915	12RB#6	22.54	23.5±1	/

Band	Bandwidth	Modulation	Channel	RB Configuration	Average Power (dbm)	Tune up Limited (dBm)	MPR (dB)
Band26	5MHz	QPSK	26915	12RB#13	22.66	23.5±1	/
Band26	5MHz	QPSK	26915	25RB#0	22.64	23.5±1	/
Band26	5MHz	QPSK	27015	1RB#0	23.67	23.5±1	/
Band26	5MHz	QPSK	27015	1RB#12	24.06	23.5±1	/
Band26	5MHz	QPSK	27015	1RB#24	23.77	23.5±1	/
Band26	5MHz	QPSK	27015	12RB#0	22.99	23.5±1	/
Band26	5MHz	QPSK	27015	12RB#6	22.78	23.5±1	/
Band26	5MHz	QPSK	27015	12RB#13	22.87	23.5±1	/
Band26	5MHz	QPSK	27015	25RB#0	22.8	23.5±1	/
Band26	5MHz	16QAM	26715	1RB#0	22.6	23±1	/
Band26	5MHz	16QAM	26715	1RB#12	22.63	23±1	/
Band26	5MHz	16QAM	26715	1RB#24	22.66	23±1	/
Band26	5MHz	16QAM	26715	12RB#0	21.89	22±1	1
Band26	5MHz	16QAM	26715	12RB#6	21.99	22±1	1
Band26	5MHz	16QAM	26715	12RB#13	21.94	22±1	1
Band26	5MHz	16QAM	26715	25RB#0	22.04	23±1	/
Band26	5MHz	16QAM	26740	1RB#0	22.8	23±1	/
Band26	5MHz	16QAM	26740	1RB#12	23.19	23±1	/
Band26	5MHz	16QAM	26740	1RB#24	23	23±1	/
Band26	5MHz	16QAM	26740	12RB#0	22.04	23±1	/
Band26	5MHz	16QAM	26740	12RB#6	22.14	23±1	/
Band26	5MHz	16QAM	26740	12RB#13	21.89	22±1	1
Band26	5MHz	16QAM	26740	25RB#0	22.09	23±1	/
Band26	5MHz	16QAM	26765	1RB#0	23.02	23±1	/
Band26	5MHz	16QAM	26765	1RB#12	23.51	23±1	/
Band26	5MHz	16QAM	26765	1RB#24	23.21	23±1	/
Band26	5MHz	16QAM	26765	12RB#0	22.24	23±1	/
Band26	5MHz	16QAM	26765	12RB#6	21.87	22±1	1
Band26	5MHz	16QAM	26765	12RB#13	22.04	23±1	/
Band26	5MHz	16QAM	26765	25RB#0	21.97	22±1	1
Band26	5MHz	16QAM	26815	1RB#0	22.59	23±1	/
Band26	5MHz	16QAM	26815	1RB#12	22.6	23±1	/
Band26	5MHz	16QAM	26815	1RB#24	22.69	23±1	/
Band26	5MHz	16QAM	26815	12RB#0	21.75	22±1	1
Band26	5MHz	16QAM	26815	12RB#6	21.63	22±1	1
Band26	5MHz	16QAM	26815	12RB#13	21.94	22±1	1
Band26	5MHz	16QAM	26815	25RB#0	22.02	23±1	/
Band26	5MHz	16QAM	26915	1RB#0	22.52	23±1	/
Band26	5MHz	16QAM	26915	1RB#12	22.56	23±1	/
Band26	5MHz	16QAM	26915	1RB#24	22.71	23±1	/
Band26	5MHz	16QAM	26915	12RB#0	21.7	22±1	1

Band	Bandwidth	Modulation	Channel	RB Configuration	Average Power (dbm)	Tune up Limited (dBm)	MPR (dB)
Band26	5MHz	16QAM	26915	12RB#6	21.7	22±1	1
Band26	5MHz	16QAM	26915	12RB#13	21.72	22±1	1
Band26	5MHz	16QAM	26915	25RB#0	21.49	22±1	1
Band26	5MHz	16QAM	27015	1RB#0	22.84	23±1	/
Band26	5MHz	16QAM	27015	1RB#12	23.12	23±1	/
Band26	5MHz	16QAM	27015	1RB#24	22.89	23±1	/
Band26	5MHz	16QAM	27015	12RB#0	21.48	22±1	1
Band26	5MHz	16QAM	27015	12RB#6	21.49	22±1	1
Band26	5MHz	16QAM	27015	12RB#13	21.73	22±1	1
Band26	5MHz	16QAM	27015	25RB#0	22.01	23±1	/
Band26	10MHz	QPSK	26740	1RB#0	23.79	23.5±1	/
Band26	10MHz	QPSK	26740	1RB#24	24.26	23.5±1	/
Band26	10MHz	QPSK	26740	1RB#49	24.1	23.5±1	/
Band26	10MHz	QPSK	26740	25RB#0	23	23.5±1	/
Band26	10MHz	QPSK	26740	25RB#12	22.98	23.5±1	/
Band26	10MHz	QPSK	26740	25RB#25	23.06	23.5±1	/
Band26	10MHz	QPSK	26740	50RB#0	23.05	23.5±1	/
Band26	10MHz	QPSK	26840	1RB#0	23.85	23.5±1	/
Band26	10MHz	QPSK	26840	1RB#24	24.06	23.5±1	/
Band26	10MHz	QPSK	26840	1RB#49	23.47	23.5±1	/
Band26	10MHz	QPSK	26840	25RB#0	23.08	23.5±1	/
Band26	10MHz	QPSK	26840	25RB#12	23.17	23.5±1	/
Band26	10MHz	QPSK	26840	25RB#25	22.53	23.5±1	/
Band26	10MHz	QPSK	26840	50RB#0	22.79	23.5±1	/
Band26	10MHz	QPSK	26915	1RB#0	23.47	23.5±1	/
Band26	10MHz	QPSK	26915	1RB#24	24.02	23.5±1	/
Band26	10MHz	QPSK	26915	1RB#49	23.94	23.5±1	/
Band26	10MHz	QPSK	26915	25RB#0	22.61	23.5±1	/
Band26	10MHz	QPSK	26915	25RB#12	22.62	23.5±1	/
Band26	10MHz	QPSK	26915	25RB#25	22.85	23.5±1	/
Band26	10MHz	QPSK	26915	50RB#0	22.62	23.5±1	/
Band26	10MHz	QPSK	26990	1RB#0	23.71	23.5±1	/
Band26	10MHz	QPSK	26990	1RB#24	23.96	23.5±1	/
Band26	10MHz	QPSK	26990	1RB#49	23.86	23.5±1	/
Band26	10MHz	QPSK	26990	25RB#0	22.94	23.5±1	/
Band26	10MHz	QPSK	26990	25RB#12	22.76	23.5±1	/
Band26	10MHz	QPSK	26990	25RB#25	22.98	23.5±1	/
Band26	10MHz	QPSK	26990	50RB#0	22.98	23.5±1	/
Band26	10MHz	16QAM	26740	1RB#0	22.98	23±1	/
Band26	10MHz	16QAM	26740	1RB#24	23.24	23±1	/
Band26	10MHz	16QAM	26740	1RB#49	23.02	23±1	/

Band	Bandwidth	Modulation	Channel	RB Configuration	Average Power (dbm)	Tune up Limited (dBm)	MPR (dB)
Band26	10MHz	16QAM	26740	25RB#0	22.06	23±1	/
Band26	10MHz	16QAM	26740	25RB#12	22.05	23±1	/
Band26	10MHz	16QAM	26740	25RB#25	21.92	22±1	1
Band26	10MHz	16QAM	26740	50RB#0	22.14	23±1	/
Band26	10MHz	16QAM	26840	1RB#0	22.85	23±1	/
Band26	10MHz	16QAM	26840	1RB#24	23.47	23±1	/
Band26	10MHz	16QAM	26840	1RB#49	22.54	23±1	/
Band26	10MHz	16QAM	26840	25RB#0	22.15	23±1	/
Band26	10MHz	16QAM	26840	25RB#12	22.14	23±1	/
Band26	10MHz	16QAM	26840	25RB#25	21.57	22±1	1
Band26	10MHz	16QAM	26840	50RB#0	21.85	22±1	1
Band26	10MHz	16QAM	26915	1RB#0	22.71	23±1	/
Band26	10MHz	16QAM	26915	1RB#24	22.7	23±1	/
Band26	10MHz	16QAM	26915	1RB#49	22.72	23±1	/
Band26	10MHz	16QAM	26915	25RB#0	21.64	22±1	1
Band26	10MHz	16QAM	26915	25RB#12	21.64	22±1	1
Band26	10MHz	16QAM	26915	25RB#25	21.74	22±1	1
Band26	10MHz	16QAM	26915	50RB#0	21.53	22±1	1
Band26	10MHz	16QAM	26990	1RB#0	23.19	23±1	/
Band26	10MHz	16QAM	26990	1RB#24	23.35	23±1	/
Band26	10MHz	16QAM	26990	1RB#49	23.32	23±1	/
Band26	10MHz	16QAM	26990	25RB#0	21.77	22±1	1
Band26	10MHz	16QAM	26990	25RB#12	21.65	22±1	1
Band26	10MHz	16QAM	26990	25RB#25	21.86	22±1	1
Band26	10MHz	16QAM	26990	50RB#0	21.98	22±1	1
Band26	15MHz	QPSK	26765	1RB#0	23.65	23.5±1	/
Band26	15MHz	QPSK	26765	1RB#38	23.61	23.5±1	/
Band26	15MHz	QPSK	26765	1RB#74	23.6	23.5±1	/
Band26	15MHz	QPSK	26765	38RB#0	22.68	23.5±1	/
Band26	15MHz	QPSK	26765	38RB#18	22.82	23.5±1	/
Band26	15MHz	QPSK	26765	38RB#37	22.78	23.5±1	/
Band26	15MHz	QPSK	26765	75RB#0	22.74	23.5±1	/
Band26	15MHz	QPSK	26865	1RB#0	23.79	23.5±1	/
Band26	15MHz	QPSK	26865	1RB#38	23.6	23.5±1	/
Band26	15MHz	QPSK	26865	1RB#74	23.91	23.5±1	/
Band26	15MHz	QPSK	26865	38RB#0	22.79	23.5±1	/
Band26	15MHz	QPSK	26865	38RB#18	22.76	23.5±1	/
Band26	15MHz	QPSK	26865	38RB#37	22.75	23.5±1	/
Band26	15MHz	QPSK	26865	75RB#0	22.74	23.5±1	/
Band26	15MHz	QPSK	26915	1RB#0	23.46	23.5±1	/
Band26	15MHz	QPSK	26915	1RB#38	23.55	23.5±1	/

Band	Bandwidth	Modulation	Channel	RB Configuration	Average Power (dbm)	Tune up Limited (dBm)	MPR (dB)
Band26	15MHz	QPSK	26915	1RB#74	23.63	23.5±1	/
Band26	15MHz	QPSK	26915	38RB#0	22.61	23.5±1	/
Band26	15MHz	QPSK	26915	38RB#18	22.6	23.5±1	/
Band26	15MHz	QPSK	26915	38RB#37	22.59	23.5±1	/
Band26	15MHz	QPSK	26915	75RB#0	22.59	23.5±1	/
Band26	15MHz	QPSK	26965	1RB#0	23.57	23.5±1	/
Band26	15MHz	QPSK	26965	1RB#38	23.98	23.5±1	/
Band26	15MHz	QPSK	26965	1RB#74	23.8	23.5±1	/
Band26	15MHz	QPSK	26965	38RB#0	22.82	23.5±1	/
Band26	15MHz	QPSK	26965	38RB#18	22.86	23.5±1	/
Band26	15MHz	QPSK	26965	38RB#37	22.85	23.5±1	/
Band26	15MHz	QPSK	26965	75RB#0	22.84	23.5±1	/
Band26	15MHz	16QAM	26765	1RB#0	22.62	23±1	/
Band26	15MHz	16QAM	26765	1RB#38	22.64	23±1	/
Band26	15MHz	16QAM	26765	1RB#74	22.73	23±1	/
Band26	15MHz	16QAM	26765	38RB#0	22.71	23±1	/
Band26	15MHz	16QAM	26765	38RB#18	22.8	23±1	/
Band26	15MHz	16QAM	26765	38RB#37	22.75	23±1	/
Band26	15MHz	16QAM	26765	75RB#0	21.76	22±1	1
Band26	15MHz	16QAM	26865	1RB#0	22.93	23±1	/
Band26	15MHz	16QAM	26865	1RB#38	22.59	23±1	/
Band26	15MHz	16QAM	26865	1RB#74	22.8	23±1	/
Band26	15MHz	16QAM	26865	38RB#0	22.76	23±1	/
Band26	15MHz	16QAM	26865	38RB#18	22.75	23±1	/
Band26	15MHz	16QAM	26865	38RB#37	22.74	23±1	/
Band26	15MHz	16QAM	26865	75RB#0	21.74	22±1	1
Band26	15MHz	16QAM	26915	1RB#0	22.71	23±1	/
Band26	15MHz	16QAM	26915	1RB#38	22.65	23±1	/
Band26	15MHz	16QAM	26915	1RB#74	22.95	23±1	/
Band26	15MHz	16QAM	26915	38RB#0	22.6	23±1	/
Band26	15MHz	16QAM	26915	38RB#18	22.59	23±1	/
Band26	15MHz	16QAM	26915	38RB#37	22.59	23±1	/
Band26	15MHz	16QAM	26915	75RB#0	21.61	22±1	1
Band26	15MHz	16QAM	26965	1RB#0	23.01	23±1	/
Band26	15MHz	16QAM	26965	1RB#38	23.9	23±1	/
Band26	15MHz	16QAM	26965	1RB#74	23.25	23±1	/
Band26	15MHz	16QAM	26965	38RB#0	22.86	23±1	/
Band26	15MHz	16QAM	26965	38RB#18	22.85	23±1	/
Band26	15MHz	16QAM	26965	38RB#37	22.85	23±1	/
Band26	15MHz	16QAM	26965	75RB#0	21.89	22±1	1
Band38	5MHz	QPSK	37775	1RB#0	23.82	23.5±1	/

Band	Bandwidth	Modulation	Channel	RB Configuration	Average Power (dbm)	Tune up Limited (dBm)	MPR (dB)
Band38	5MHz	QPSK	37775	1RB#12	23.62	23.5±1	/
Band38	5MHz	QPSK	37775	1RB#24	23.59	23.5±1	/
Band38	5MHz	QPSK	37775	12RB#0	22.92	23.5±1	/
Band38	5MHz	QPSK	37775	12RB#6	22.85	23.5±1	/
Band38	5MHz	QPSK	37775	12RB#13	22.66	23.5±1	/
Band38	5MHz	QPSK	37775	25RB#0	22.74	23.5±1	/
Band38	5MHz	QPSK	38000	1RB#0	23.71	23.5±1	/
Band38	5MHz	QPSK	38000	1RB#12	23.49	23.5±1	/
Band38	5MHz	QPSK	38000	1RB#24	23.76	23.5±1	/
Band38	5MHz	QPSK	38000	12RB#0	22.89	23.5±1	/
Band38	5MHz	QPSK	38000	12RB#6	22.82	23.5±1	/
Band38	5MHz	QPSK	38000	12RB#13	22.79	23.5±1	/
Band38	5MHz	QPSK	38000	25RB#0	22.77	23.5±1	/
Band38	5MHz	QPSK	38225	1RB#0	23.88	23.5±1	/
Band38	5MHz	QPSK	38225	1RB#12	24.02	23.5±1	/
Band38	5MHz	QPSK	38225	1RB#24	23.98	23.5±1	/
Band38	5MHz	QPSK	38225	12RB#0	23.04	23.5±1	/
Band38	5MHz	QPSK	38225	12RB#6	23.06	23.5±1	/
Band38	5MHz	QPSK	38225	12RB#13	23.1	23.5±1	/
Band38	5MHz	QPSK	38225	25RB#0	23	23.5±1	/
Band38	5MHz	16QAM	37775	1RB#0	23.19	23±1	/
Band38	5MHz	16QAM	37775	1RB#12	22.89	23±1	/
Band38	5MHz	16QAM	37775	1RB#24	22.95	23±1	/
Band38	5MHz	16QAM	37775	12RB#0	21.84	22±1	1
Band38	5MHz	16QAM	37775	12RB#6	21.85	22±1	1
Band38	5MHz	16QAM	37775	12RB#13	21.78	22±1	1
Band38	5MHz	16QAM	37775	25RB#0	21.7	22±1	1
Band38	5MHz	16QAM	38000	1RB#0	23.27	23±1	/
Band38	5MHz	16QAM	38000	1RB#12	23.32	23±1	/
Band38	5MHz	16QAM	38000	1RB#24	23.28	23±1	/
Band38	5MHz	16QAM	38000	12RB#0	21.83	22±1	1
Band38	5MHz	16QAM	38000	12RB#6	21.84	22±1	1
Band38	5MHz	16QAM	38000	12RB#13	21.7	22±1	1
Band38	5MHz	16QAM	38000	25RB#0	21.79	22±1	1
Band38	5MHz	16QAM	38225	1RB#0	23.13	23±1	/
Band38	5MHz	16QAM	38225	1RB#12	23.15	23±1	/
Band38	5MHz	16QAM	38225	1RB#24	23.07	23±1	/
Band38	5MHz	16QAM	38225	12RB#0	22.09	23±1	/
Band38	5MHz	16QAM	38225	12RB#6	22	23±1	/
Band38	5MHz	16QAM	38225	12RB#13	22.03	23±1	/
Band38	5MHz	16QAM	38225	25RB#0	22.16	23±1	/

Band	Bandwidth	Modulation	Channel	RB Configuration	Average Power (dbm)	Tune up Limited (dBm)	MPR (dB)
Band38	10MHz	QPSK	37800	1RB#0	23.71	23.5±1	/
Band38	10MHz	QPSK	37800	1RB#24	23.37	23.5±1	/
Band38	10MHz	QPSK	37800	1RB#49	23.48	23.5±1	/
Band38	10MHz	QPSK	37800	25RB#0	22.63	23.5±1	/
Band38	10MHz	QPSK	37800	25RB#12	22.64	23.5±1	/
Band38	10MHz	QPSK	37800	25RB#25	22.58	23.5±1	/
Band38	10MHz	QPSK	37800	50RB#0	22.6	23.5±1	/
Band38	10MHz	QPSK	38000	1RB#0	23.59	23.5±1	/
Band38	10MHz	QPSK	38000	1RB#24	23.52	23.5±1	/
Band38	10MHz	QPSK	38000	1RB#49	23.73	23.5±1	/
Band38	10MHz	QPSK	38000	25RB#0	22.75	23.5±1	/
Band38	10MHz	QPSK	38000	25RB#12	22.76	23.5±1	/
Band38	10MHz	QPSK	38000	25RB#25	22.75	23.5±1	/
Band38	10MHz	QPSK	38000	50RB#0	22.72	23.5±1	/
Band38	10MHz	QPSK	38200	1RB#0	24	23.5±1	/
Band38	10MHz	QPSK	38200	1RB#24	24.07	23.5±1	/
Band38	10MHz	QPSK	38200	1RB#49	24	23.5±1	/
Band38	10MHz	QPSK	38200	25RB#0	22.95	23.5±1	/
Band38	10MHz	QPSK	38200	25RB#12	23	23.5±1	/
Band38	10MHz	QPSK	38200	25RB#25	23.03	23.5±1	/
Band38	10MHz	QPSK	38200	50RB#0	23.01	23.5±1	/
Band38	10MHz	16QAM	37800	1RB#0	22.78	23±1	/
Band38	10MHz	16QAM	37800	1RB#24	22.69	23±1	/
Band38	10MHz	16QAM	37800	1RB#49	22.89	23±1	/
Band38	10MHz	16QAM	37800	25RB#0	21.74	22±1	1
Band38	10MHz	16QAM	37800	25RB#12	21.74	22±1	1
Band38	10MHz	16QAM	37800	25RB#25	21.8	22±1	1
Band38	10MHz	16QAM	37800	50RB#0	21.75	22±1	1
Band38	10MHz	16QAM	38000	1RB#0	22.3	23±1	/
Band38	10MHz	16QAM	38000	1RB#24	23.14	23±1	/
Band38	10MHz	16QAM	38000	1RB#49	22.55	23±1	/
Band38	10MHz	16QAM	38000	25RB#0	21.79	22±1	1
Band38	10MHz	16QAM	38000	25RB#12	21.79	22±1	1
Band38	10MHz	16QAM	38000	25RB#25	21.91	22±1	1
Band38	10MHz	16QAM	38000	50RB#0	21.66	22±1	1
Band38	10MHz	16QAM	38200	1RB#0	23.15	23±1	/
Band38	10MHz	16QAM	38200	1RB#24	23.53	23±1	/
Band38	10MHz	16QAM	38200	1RB#49	23.2	23±1	/
Band38	10MHz	16QAM	38200	25RB#0	22.12	23±1	/
Band38	10MHz	16QAM	38200	25RB#12	22.13	23±1	/
Band38	10MHz	16QAM	38200	25RB#25	22.09	23±1	/

Band	Bandwidth	Modulation	Channel	RB Configuration	Average Power (dbm)	Tune up Limited (dBm)	MPR (dB)
Band38	10MHz	16QAM	38200	50RB#0	22.02	23±1	/
Band38	15MHz	QPSK	37825	1RB#0	23.45	23.5±1	/
Band38	15MHz	QPSK	37825	1RB#38	23.39	23.5±1	/
Band38	15MHz	QPSK	37825	1RB#74	23.22	23.5±1	/
Band38	15MHz	QPSK	37825	38RB#0	22.67	23.5±1	/
Band38	15MHz	QPSK	37825	38RB#18	22.66	23.5±1	/
Band38	15MHz	QPSK	37825	38RB#37	22.65	23.5±1	/
Band38	15MHz	QPSK	37825	75RB#0	22.72	23.5±1	/
Band38	15MHz	QPSK	38000	1RB#0	23.43	23.5±1	/
Band38	15MHz	QPSK	38000	1RB#38	23.66	23.5±1	/
Band38	15MHz	QPSK	38000	1RB#74	23.72	23.5±1	/
Band38	15MHz	QPSK	38000	38RB#0	22.73	23.5±1	/
Band38	15MHz	QPSK	38000	38RB#18	22.72	23.5±1	/
Band38	15MHz	QPSK	38000	38RB#37	22.71	23.5±1	/
Band38	15MHz	QPSK	38000	75RB#0	22.7	23.5±1	/
Band38	15MHz	QPSK	38175	1RB#0	24	23.5±1	/
Band38	15MHz	QPSK	38175	1RB#38	24.14	23.5±1	/
Band38	15MHz	QPSK	38175	1RB#74	24.1	23.5±1	/
Band38	15MHz	QPSK	38175	38RB#0	23.01	23.5±1	/
Band38	15MHz	QPSK	38175	38RB#18	23	23.5±1	/
Band38	15MHz	QPSK	38175	38RB#37	23	23.5±1	/
Band38	15MHz	QPSK	38175	75RB#0	22.99	23.5±1	/
Band38	15MHz	16QAM	37825	1RB#0	22.86	23±1	/
Band38	15MHz	16QAM	37825	1RB#38	22.51	23±1	/
Band38	15MHz	16QAM	37825	1RB#74	22.71	23±1	/
Band38	15MHz	16QAM	37825	38RB#0	22.66	23±1	/
Band38	15MHz	16QAM	37825	38RB#18	22.65	23±1	/
Band38	15MHz	16QAM	37825	38RB#37	22.65	23±1	/
Band38	15MHz	16QAM	37825	75RB#0	21.71	22±1	1
Band38	15MHz	16QAM	38000	1RB#0	22.47	23±1	/
Band38	15MHz	16QAM	38000	1RB#38	22.6	23±1	/
Band38	15MHz	16QAM	38000	1RB#74	22.66	23±1	/
Band38	15MHz	16QAM	38000	38RB#0	22.72	23±1	/
Band38	15MHz	16QAM	38000	38RB#18	22.71	23±1	/
Band38	15MHz	16QAM	38000	38RB#37	22.7	23±1	/
Band38	15MHz	16QAM	38000	75RB#0	21.87	22±1	1
Band38	15MHz	16QAM	38175	1RB#0	23.55	23±1	/
Band38	15MHz	16QAM	38175	1RB#38	23.54	23±1	/
Band38	15MHz	16QAM	38175	1RB#74	23.55	23±1	/
Band38	15MHz	16QAM	38175	38RB#0	23	23±1	/
Band38	15MHz	16QAM	38175	38RB#18	23	23±1	/

Band	Bandwidth	Modulation	Channel	RB Configuration	Average Power (dbm)	Tune up Limited (dBm)	MPR (dB)
Band38	15MHz	16QAM	38175	38RB#37	23	23±1	/
Band38	15MHz	16QAM	38175	75RB#0	22.04	23±1	/
Band38	20MHz	QPSK	37850	1RB#0	23.4	23.5±1	/
Band38	20MHz	QPSK	37850	1RB#49	23.51	23.5±1	/
Band38	20MHz	QPSK	37850	1RB#99	23.42	23.5±1	/
Band38	20MHz	QPSK	37850	50RB#0	22.67	23.5±1	/
Band38	20MHz	QPSK	37850	50RB#25	22.67	23.5±1	/
Band38	20MHz	QPSK	37850	50RB#50	22.68	23.5±1	/
Band38	20MHz	QPSK	37850	100RB#0	22.69	23.5±1	/
Band38	20MHz	QPSK	38000	1RB#0	23.69	23.5±1	/
Band38	20MHz	QPSK	38000	1RB#49	24.04	23.5±1	/
Band38	20MHz	QPSK	38000	1RB#99	23.97	23.5±1	/
Band38	20MHz	QPSK	38000	50RB#0	22.77	23.5±1	/
Band38	20MHz	QPSK	38000	50RB#25	22.77	23.5±1	/
Band38	20MHz	QPSK	38000	50RB#50	22.91	23.5±1	/
Band38	20MHz	QPSK	38000	100RB#0	22.8	23.5±1	/
Band38	20MHz	QPSK	38150	1RB#0	23.8	23.5±1	/
Band38	20MHz	QPSK	38150	1RB#49	23.9	23.5±1	/
Band38	20MHz	QPSK	38150	1RB#99	23.93	23.5±1	/
Band38	20MHz	QPSK	38150	50RB#0	22.96	23.5±1	/
Band38	20MHz	QPSK	38150	50RB#25	22.97	23.5±1	/
Band38	20MHz	QPSK	38150	50RB#50	23.05	23.5±1	/
Band38	20MHz	QPSK	38150	100RB#0	22.96	23.5±1	/
Band38	20MHz	16QAM	37850	1RB#0	23.22	23±1	/
Band38	20MHz	16QAM	37850	1RB#49	23.47	23±1	/
Band38	20MHz	16QAM	37850	1RB#99	23.32	23±1	/
Band38	20MHz	16QAM	37850	50RB#0	21.74	22±1	1
Band38	20MHz	16QAM	37850	50RB#25	21.74	22±1	1
Band38	20MHz	16QAM	37850	50RB#50	21.87	22±1	1
Band38	20MHz	16QAM	37850	100RB#0	21.84	22±1	1
Band38	20MHz	16QAM	38000	1RB#0	22.64	23±1	/
Band38	20MHz	16QAM	38000	1RB#49	22.93	23±1	/
Band38	20MHz	16QAM	38000	1RB#99	22.94	23±1	/
Band38	20MHz	16QAM	38000	50RB#0	21.85	22±1	1
Band38	20MHz	16QAM	38000	50RB#25	21.85	22±1	1
Band38	20MHz	16QAM	38000	50RB#50	21.99	22±1	1
Band38	20MHz	16QAM	38000	100RB#0	21.85	22±1	1
Band38	20MHz	16QAM	38150	1RB#0	22.6	23±1	/
Band38	20MHz	16QAM	38150	1RB#49	22.81	23±1	/
Band38	20MHz	16QAM	38150	1RB#99	22.7	23±1	/
Band38	20MHz	16QAM	38150	50RB#0	21.98	22±1	1

Band	Bandwidth	Modulation	Channel	RB Configuration	Average Power (dbm)	Tune up Limited (dBm)	MPR (dB)
Band38	20MHz	16QAM	38150	50RB#25	21.98	22±1	1
Band38	20MHz	16QAM	38150	50RB#50	22.07	23±1	/
Band38	20MHz	16QAM	38150	100RB#0	21.92	22±1	1
Band41	5MHz	QPSK	39675	1RB#0	23.05	23±1	/
Band41	5MHz	QPSK	39675	1RB#12	23.06	23±1	/
Band41	5MHz	QPSK	39675	1RB#24	23.11	23±1	/
Band41	5MHz	QPSK	39675	12RB#0	22.02	23±1	/
Band41	5MHz	QPSK	39675	12RB#6	22.02	23±1	/
Band41	5MHz	QPSK	39675	12RB#13	22.14	23±1	/
Band41	5MHz	QPSK	39675	25RB#0	21.99	22±1	1
Band41	5MHz	QPSK	40148	1RB#0	23.37	23±1	/
Band41	5MHz	QPSK	40148	1RB#12	23.52	23±1	/
Band41	5MHz	QPSK	40148	1RB#24	23.4	23±1	/
Band41	5MHz	QPSK	40148	12RB#0	22.59	23±1	/
Band41	5MHz	QPSK	40148	12RB#6	22.5	23±1	/
Band41	5MHz	QPSK	40148	12RB#13	22.53	23±1	/
Band41	5MHz	QPSK	40148	25RB#0	22.52	23±1	/
Band41	5MHz	QPSK	40620	1RB#0	23.25	23±1	/
Band41	5MHz	QPSK	40620	1RB#12	23.4	23±1	/
Band41	5MHz	QPSK	40620	1RB#24	23.51	23±1	/
Band41	5MHz	QPSK	40620	12RB#0	22.76	23±1	/
Band41	5MHz	QPSK	40620	12RB#6	22.66	23±1	/
Band41	5MHz	QPSK	40620	12RB#13	22.73	23±1	/
Band41	5MHz	QPSK	40620	25RB#0	22.7	23±1	/
Band41	5MHz	QPSK	41093	1RB#0	23.68	23±1	/
Band41	5MHz	QPSK	41093	1RB#12	23.93	23±1	/
Band41	5MHz	QPSK	41093	1RB#24	23.6	23±1	/
Band41	5MHz	QPSK	41093	12RB#0	22.92	23±1	/
Band41	5MHz	QPSK	41093	12RB#6	22.83	23±1	/
Band41	5MHz	QPSK	41093	12RB#13	22.9	23±1	/
Band41	5MHz	QPSK	41093	25RB#0	22.81	23±1	/
Band41	5MHz	QPSK	41565	1RB#0	23.32	23±1	/
Band41	5MHz	QPSK	41565	1RB#12	23.36	23±1	/
Band41	5MHz	QPSK	41565	1RB#24	23.19	23±1	/
Band41	5MHz	QPSK	41565	12RB#0	22.51	23±1	/
Band41	5MHz	QPSK	41565	12RB#6	22.53	23±1	/
Band41	5MHz	QPSK	41565	12RB#13	22.43	23±1	/
Band41	5MHz	QPSK	41565	25RB#0	22.46	23±1	/
Band41	5MHz	16QAM	39675	1RB#0	22.3	22.5±1	/
Band41	5MHz	16QAM	39675	1RB#12	22.41	22.5±1	/
Band41	5MHz	16QAM	39675	1RB#24	22.33	22.5±1	/

Band	Bandwidth	Modulation	Channel	RB Configuration	Average Power (dbm)	Tune up Limited (dBm)	MPR (dB)
Band41	5MHz	16QAM	39675	12RB#0	20.88	21.5±1	1
Band41	5MHz	16QAM	39675	12RB#6	20.98	21.5±1	1
Band41	5MHz	16QAM	39675	12RB#13	21.03	21.5±1	1
Band41	5MHz	16QAM	39675	25RB#0	21.02	21.5±1	1
Band41	5MHz	16QAM	40148	1RB#0	22.68	22.5±1	/
Band41	5MHz	16QAM	40148	1RB#12	22.53	22.5±1	/
Band41	5MHz	16QAM	40148	1RB#24	22.5	22.5±1	/
Band41	5MHz	16QAM	40148	12RB#0	21.53	22.5±1	/
Band41	5MHz	16QAM	40148	12RB#6	21.53	22.5±1	/
Band41	5MHz	16QAM	40148	12RB#13	21.55	22.5±1	/
Band41	5MHz	16QAM	40148	25RB#0	21.58	22.5±1	/
Band41	5MHz	16QAM	40620	1RB#0	23.11	22.5±1	/
Band41	5MHz	16QAM	40620	1RB#12	23.22	22.5±1	/
Band41	5MHz	16QAM	40620	1RB#24	23.23	22.5±1	/
Band41	5MHz	16QAM	40620	12RB#0	21.67	22.5±1	/
Band41	5MHz	16QAM	40620	12RB#6	21.67	22.5±1	/
Band41	5MHz	16QAM	40620	12RB#13	21.65	22.5±1	/
Band41	5MHz	16QAM	40620	25RB#0	21.62	22.5±1	/
Band41	5MHz	16QAM	41093	1RB#0	23.17	22.5±1	/
Band41	5MHz	16QAM	41093	1RB#12	23.34	22.5±1	/
Band41	5MHz	16QAM	41093	1RB#24	23.11	22.5±1	/
Band41	5MHz	16QAM	41093	12RB#0	21.84	22.5±1	/
Band41	5MHz	16QAM	41093	12RB#6	21.84	22.5±1	/
Band41	5MHz	16QAM	41093	12RB#13	21.81	22.5±1	/
Band41	5MHz	16QAM	41093	25RB#0	21.82	22.5±1	/
Band41	5MHz	16QAM	41565	1RB#0	22.27	22.5±1	/
Band41	5MHz	16QAM	41565	1RB#12	22.52	22.5±1	/
Band41	5MHz	16QAM	41565	1RB#24	22.24	22.5±1	/
Band41	5MHz	16QAM	41565	12RB#0	21.5	22.5±1	/
Band41	5MHz	16QAM	41565	12RB#6	21.43	21.5±1	1
Band41	5MHz	16QAM	41565	12RB#13	21.4	21.5±1	1
Band41	5MHz	16QAM	41565	25RB#0	21.59	22.5±1	/
Band41	10MHz	QPSK	39700	1RB#0	22.89	23±1	/
Band41	10MHz	QPSK	39700	1RB#24	23.14	23±1	/
Band41	10MHz	QPSK	39700	1RB#49	23.43	23±1	/
Band41	10MHz	QPSK	39700	25RB#0	22.03	23±1	/
Band41	10MHz	QPSK	39700	25RB#12	22.04	23±1	/
Band41	10MHz	QPSK	39700	25RB#25	22.26	23±1	/
Band41	10MHz	QPSK	39700	50RB#0	22.04	23±1	/
Band41	10MHz	QPSK	40160	1RB#0	23.45	23±1	/
Band41	10MHz	QPSK	40160	1RB#24	23.48	23±1	/

Band	Bandwidth	Modulation	Channel	RB Configuration	Average Power (dbm)	Tune up Limited (dBm)	MPR (dB)
Band41	10MHz	QPSK	40160	1RB#49	23.61	23±1	/
Band41	10MHz	QPSK	40160	25RB#0	22.77	23±1	/
Band41	10MHz	QPSK	40160	25RB#12	22.68	23±1	/
Band41	10MHz	QPSK	40160	25RB#25	22.65	23±1	/
Band41	10MHz	QPSK	40160	50RB#0	22.65	23±1	/
Band41	10MHz	QPSK	40620	1RB#0	23.57	23±1	/
Band41	10MHz	QPSK	40620	1RB#24	23.54	23±1	/
Band41	10MHz	QPSK	40620	1RB#49	23.66	23±1	/
Band41	10MHz	QPSK	40620	25RB#0	22.7	23±1	/
Band41	10MHz	QPSK	40620	25RB#12	22.71	23±1	/
Band41	10MHz	QPSK	40620	25RB#25	22.82	23±1	/
Band41	10MHz	QPSK	40620	50RB#0	22.78	23±1	/
Band41	10MHz	QPSK	41080	1RB#0	23.77	23±1	/
Band41	10MHz	QPSK	41080	1RB#24	23.9	23±1	/
Band41	10MHz	QPSK	41080	1RB#49	23.74	23±1	/
Band41	10MHz	QPSK	41080	25RB#0	22.78	23±1	/
Band41	10MHz	QPSK	41080	25RB#12	22.79	23±1	/
Band41	10MHz	QPSK	41080	25RB#25	22.83	23±1	/
Band41	10MHz	QPSK	41080	50RB#0	22.78	23±1	/
Band41	10MHz	QPSK	41540	1RB#0	23.57	23±1	/
Band41	10MHz	QPSK	41540	1RB#24	23.7	23±1	/
Band41	10MHz	QPSK	41540	1RB#49	23.43	23±1	/
Band41	10MHz	QPSK	41540	25RB#0	22.63	23±1	/
Band41	10MHz	QPSK	41540	25RB#12	22.61	23±1	/
Band41	10MHz	QPSK	41540	25RB#25	22.44	23±1	/
Band41	10MHz	QPSK	41540	50RB#0	22.48	23±1	/
Band41	10MHz	16QAM	39700	1RB#0	21.98	22±1	1
Band41	10MHz	16QAM	39700	1RB#24	22.26	23±1	/
Band41	10MHz	16QAM	39700	1RB#49	22.65	23±1	/
Band41	10MHz	16QAM	39700	25RB#0	21.12	22±1	1
Band41	10MHz	16QAM	39700	25RB#12	21.01	22±1	1
Band41	10MHz	16QAM	39700	25RB#25	21.36	22±1	1
Band41	10MHz	16QAM	39700	50RB#0	21.17	22±1	1
Band41	10MHz	16QAM	40160	1RB#0	22.8	23±1	/
Band41	10MHz	16QAM	40160	1RB#24	23.11	23±1	/
Band41	10MHz	16QAM	40160	1RB#49	22.39	23±1	/
Band41	10MHz	16QAM	40160	25RB#0	21.72	22±1	1
Band41	10MHz	16QAM	40160	25RB#12	21.73	22±1	1
Band41	10MHz	16QAM	40160	25RB#25	21.71	22±1	1
Band41	10MHz	16QAM	40160	50RB#0	21.78	22±1	1
Band41	10MHz	16QAM	40620	1RB#0	22.86	23±1	/

Band	Bandwidth	Modulation	Channel	RB Configuration	Average Power (dbm)	Tune up Limited (dBm)	MPR (dB)
Band41	10MHz	16QAM	40620	1RB#24	23.2	23±1	/
Band41	10MHz	16QAM	40620	1RB#49	22.45	23±1	/
Band41	10MHz	16QAM	40620	25RB#0	21.74	22±1	1
Band41	10MHz	16QAM	40620	25RB#12	21.75	22±1	1
Band41	10MHz	16QAM	40620	25RB#25	21.88	22±1	1
Band41	10MHz	16QAM	40620	50RB#0	21.72	22±1	1
Band41	10MHz	16QAM	41080	1RB#0	23.36	23±1	/
Band41	10MHz	16QAM	41080	1RB#24	23.33	23±1	/
Band41	10MHz	16QAM	41080	1RB#49	23.36	23±1	/
Band41	10MHz	16QAM	41080	25RB#0	21.75	22±1	1
Band41	10MHz	16QAM	41080	25RB#12	21.75	22±1	1
Band41	10MHz	16QAM	41080	25RB#25	21.9	22±1	1
Band41	10MHz	16QAM	41080	50RB#0	21.79	22±1	1
Band41	10MHz	16QAM	41540	1RB#0	23.26	23±1	/
Band41	10MHz	16QAM	41540	1RB#24	23.46	23±1	/
Band41	10MHz	16QAM	41540	1RB#49	23.07	23±1	/
Band41	10MHz	16QAM	41540	25RB#0	21.71	22±1	1
Band41	10MHz	16QAM	41540	25RB#12	21.72	22±1	1
Band41	10MHz	16QAM	41540	25RB#25	21.45	22±1	1
Band41	10MHz	16QAM	41540	50RB#0	21.54	22±1	1
Band41	15MHz	QPSK	39725	1RB#0	22.76	23±1	/
Band41	15MHz	QPSK	39725	1RB#38	23.05	23±1	/
Band41	15MHz	QPSK	39725	1RB#74	23.19	23±1	/
Band41	15MHz	QPSK	39725	38RB#0	22.18	23±1	/
Band41	15MHz	QPSK	39725	38RB#18	22.17	23±1	/
Band41	15MHz	QPSK	39725	38RB#37	22.17	23±1	/
Band41	15MHz	QPSK	39725	75RB#0	22.17	23±1	/
Band41	15MHz	QPSK	40173	1RB#0	23.31	23±1	/
Band41	15MHz	QPSK	40173	1RB#38	23.44	23±1	/
Band41	15MHz	QPSK	40173	1RB#74	23.37	23±1	/
Band41	15MHz	QPSK	40173	38RB#0	22.64	23±1	/
Band41	15MHz	QPSK	40173	38RB#18	22.63	23±1	/
Band41	15MHz	QPSK	40173	38RB#37	22.63	23±1	/
Band41	15MHz	QPSK	40173	75RB#0	22.62	23±1	/
Band41	15MHz	QPSK	40620	1RB#0	23.49	23±1	/
Band41	15MHz	QPSK	40620	1RB#38	23.53	23±1	/
Band41	15MHz	QPSK	40620	1RB#74	23.57	23±1	/
Band41	15MHz	QPSK	40620	38RB#0	22.83	23±1	/
Band41	15MHz	QPSK	40620	38RB#18	22.83	23±1	/
Band41	15MHz	QPSK	40620	38RB#37	22.82	23±1	/
Band41	15MHz	QPSK	40620	75RB#0	22.82	23±1	/

Band	Bandwidth	Modulation	Channel	RB Configuration	Average Power (dbm)	Tune up Limited (dBm)	MPR (dB)
Band41	15MHz	QPSK	41068	1RB#0	23.85	23±1	/
Band41	15MHz	QPSK	41068	1RB#38	23.89	23±1	/
Band41	15MHz	QPSK	41068	1RB#74	23.91	23±1	/
Band41	15MHz	QPSK	41068	38RB#0	22.91	23±1	/
Band41	15MHz	QPSK	41068	38RB#18	22.91	23±1	/
Band41	15MHz	QPSK	41068	38RB#37	22.91	23±1	/
Band41	15MHz	QPSK	41068	75RB#0	22.9	23±1	/
Band41	15MHz	QPSK	41515	1RB#0	23.76	23±1	/
Band41	15MHz	QPSK	41515	1RB#38	23.62	23±1	/
Band41	15MHz	QPSK	41515	1RB#74	23.45	23±1	/
Band41	15MHz	QPSK	41515	38RB#0	22.64	23±1	/
Band41	15MHz	QPSK	41515	38RB#18	22.66	23±1	/
Band41	15MHz	QPSK	41515	38RB#37	22.65	23±1	/
Band41	15MHz	QPSK	41515	75RB#0	22.55	23±1	/
Band41	15MHz	16QAM	39725	1RB#0	21.87	22±1	1
Band41	15MHz	16QAM	39725	1RB#38	22.45	23±1	/
Band41	15MHz	16QAM	39725	1RB#74	22.48	23±1	/
Band41	15MHz	16QAM	39725	38RB#0	22.17	23±1	/
Band41	15MHz	16QAM	39725	38RB#18	22.17	23±1	/
Band41	15MHz	16QAM	39725	38RB#37	22.17	23±1	/
Band41	15MHz	16QAM	39725	75RB#0	21.23	22±1	1
Band41	15MHz	16QAM	40173	1RB#0	22.71	23±1	/
Band41	15MHz	16QAM	40173	1RB#38	22.57	23±1	/
Band41	15MHz	16QAM	40173	1RB#74	22.81	23±1	/
Band41	15MHz	16QAM	40173	38RB#0	22.63	23±1	/
Band41	15MHz	16QAM	40173	38RB#18	22.63	23±1	/
Band41	15MHz	16QAM	40173	38RB#37	22.62	23±1	/
Band41	15MHz	16QAM	40173	75RB#0	21.7	22±1	1
Band41	15MHz	16QAM	40620	1RB#0	22.49	23±1	/
Band41	15MHz	16QAM	40620	1RB#38	22.58	23±1	/
Band41	15MHz	16QAM	40620	1RB#74	22.62	23±1	/
Band41	15MHz	16QAM	40620	38RB#0	22.83	23±1	/
Band41	15MHz	16QAM	40620	38RB#18	22.83	23±1	/
Band41	15MHz	16QAM	40620	38RB#37	22.82	23±1	/
Band41	15MHz	16QAM	40620	75RB#0	21.9	22±1	1
Band41	15MHz	16QAM	41068	1RB#0	23.43	23±1	/
Band41	15MHz	16QAM	41068	1RB#38	23.37	23±1	/
Band41	15MHz	16QAM	41068	1RB#74	23.38	23±1	/
Band41	15MHz	16QAM	41068	38RB#0	22.91	23±1	/
Band41	15MHz	16QAM	41068	38RB#18	22.91	23±1	/
Band41	15MHz	16QAM	41068	38RB#37	22.9	23±1	/

Band	Bandwidth	Modulation	Channel	RB Configuration	Average Power (dbm)	Tune up Limited (dBm)	MPR (dB)
Band41	15MHz	16QAM	41068	75RB#0	21.88	22±1	1
Band41	15MHz	16QAM	41515	1RB#0	22.92	23±1	/
Band41	15MHz	16QAM	41515	1RB#38	23.09	23±1	/
Band41	15MHz	16QAM	41515	1RB#74	23.07	23±1	/
Band41	15MHz	16QAM	41515	38RB#0	22.66	23±1	/
Band41	15MHz	16QAM	41515	38RB#18	22.66	23±1	/
Band41	15MHz	16QAM	41515	38RB#37	22.6	23±1	/
Band41	15MHz	16QAM	41515	75RB#0	21.67	22±1	1
Band41	20MHz	QPSK	39750	1RB#0	22.8	23.5±1	/
Band41	20MHz	QPSK	39750	1RB#49	23.39	23.5±1	/
Band41	20MHz	QPSK	39750	1RB#99	23.45	23.5±1	/
Band41	20MHz	QPSK	39750	50RB#0	22	22.5±1	1
Band41	20MHz	QPSK	39750	50RB#25	22.01	22.5±1	1
Band41	20MHz	QPSK	39750	50RB#50	22.49	22.5±1	1
Band41	20MHz	QPSK	39750	100RB#0	22.31	22.5±1	1
Band41	20MHz	QPSK	40185	1RB#0	23.37	23.5±1	/
Band41	20MHz	QPSK	40185	1RB#49	23.47	23.5±1	/
Band41	20MHz	QPSK	40185	1RB#99	23.36	23.5±1	/
Band41	20MHz	QPSK	40185	50RB#0	22.66	23.5±1	/
Band41	20MHz	QPSK	40185	50RB#25	22.66	23.5±1	/
Band41	20MHz	QPSK	40185	50RB#50	22.76	23.5±1	/
Band41	20MHz	QPSK	40185	100RB#0	22.66	23.5±1	/
Band41	20MHz	QPSK	40620	1RB#0	23.72	23.5±1	/
Band41	20MHz	QPSK	40620	1RB#49	24.14	23.5±1	/
Band41	20MHz	QPSK	40620	1RB#99	23.92	23.5±1	/
Band41	20MHz	QPSK	40620	50RB#0	22.78	23.5±1	/
Band41	20MHz	QPSK	40620	50RB#25	22.7	23.5±1	/
Band41	20MHz	QPSK	40620	50RB#50	22.84	23.5±1	/
Band41	20MHz	QPSK	40620	100RB#0	22.82	23.5±1	/
Band41	20MHz	QPSK	41055	1RB#0	23.76	23.5±1	/
Band41	20MHz	QPSK	41055	1RB#49	23.94	23.5±1	/
Band41	20MHz	QPSK	41055	1RB#99	23.74	23.5±1	/
Band41	20MHz	QPSK	41055	50RB#0	22.83	23.5±1	/
Band41	20MHz	QPSK	41055	50RB#25	22.8	23.5±1	/
Band41	20MHz	QPSK	41055	50RB#50	22.85	23.5±1	/
Band41	20MHz	QPSK	41055	100RB#0	22.85	23.5±1	/
Band41	20MHz	QPSK	41490	1RB#0	23.52	23.5±1	/
Band41	20MHz	QPSK	41490	1RB#49	23.61	23.5±1	/
Band41	20MHz	QPSK	41490	1RB#99	23.34	23.5±1	/
Band41	20MHz	QPSK	41490	50RB#0	22.81	23.5±1	/
Band41	20MHz	QPSK	41490	50RB#25	22.85	23.5±1	/

Band	Bandwidth	Modulation	Channel	RB Configuration	Average Power (dbm)	Tune up Limited (dBm)	MPR (dB)
Band41	20MHz	QPSK	41490	50RB#50	22.54	23.5±1	/
Band41	20MHz	QPSK	41490	100RB#0	22.69	23.5±1	/
Band41	20MHz	16QAM	39750	1RB#0	22.36	23±1	/
Band41	20MHz	16QAM	39750	1RB#49	23.06	23±1	/
Band41	20MHz	16QAM	39750	1RB#99	23.06	23±1	/
Band41	20MHz	16QAM	39750	50RB#0	21.05	22±1	1
Band41	20MHz	16QAM	39750	50RB#25	21.06	22±1	1
Band41	20MHz	16QAM	39750	50RB#50	21.54	22±1	1
Band41	20MHz	16QAM	39750	100RB#0	21.34	22±1	1
Band41	20MHz	16QAM	40185	1RB#0	22.99	23±1	/
Band41	20MHz	16QAM	40185	1RB#49	23.53	23±1	/
Band41	20MHz	16QAM	40185	1RB#99	23.17	23±1	/
Band41	20MHz	16QAM	40185	50RB#0	21.73	22±1	1
Band41	20MHz	16QAM	40185	50RB#25	21.73	22±1	1
Band41	20MHz	16QAM	40185	50RB#50	21.86	22±1	1
Band41	20MHz	16QAM	40185	100RB#0	21.71	22±1	1
Band41	20MHz	16QAM	40620	1RB#0	22.69	23±1	/
Band41	20MHz	16QAM	40620	1RB#49	22.95	23±1	/
Band41	20MHz	16QAM	40620	1RB#99	22.8	23±1	/
Band41	20MHz	16QAM	40620	50RB#0	21.66	22±1	1
Band41	20MHz	16QAM	40620	50RB#25	21.67	22±1	1
Band41	20MHz	16QAM	40620	50RB#50	21.82	22±1	1
Band41	20MHz	16QAM	40620	100RB#0	21.87	22±1	1
Band41	20MHz	16QAM	40690	1RB#0	22.72	23±1	/
Band41	20MHz	16QAM	41055	1RB#0	22.6	23±1	/
Band41	20MHz	16QAM	41055	1RB#49	22.81	23±1	/
Band41	20MHz	16QAM	41055	1RB#99	22.63	23±1	/
Band41	20MHz	16QAM	41055	50RB#0	21.91	22±1	1
Band41	20MHz	16QAM	41055	50RB#25	21.91	22±1	1
Band41	20MHz	16QAM	41055	50RB#50	21.85	22±1	1
Band41	20MHz	16QAM	41055	100RB#0	21.71	22±1	1
Band41	20MHz	16QAM	41490	1RB#0	22.55	23±1	/
Band41	20MHz	16QAM	41490	1RB#49	22.51	23±1	/
Band41	20MHz	16QAM	41490	1RB#99	22.2	23±1	/
Band41	20MHz	16QAM	41490	50RB#0	21.79	22±1	1
Band41	20MHz	16QAM	41490	50RB#25	21.8	22±1	1
Band41	20MHz	16QAM	41490	50RB#50	21.63	22±1	1
Band41	20MHz	16QAM	41490	100RB#0	21.75	22±1	1

*Refer to October 2014 TCB workshop RF exposure slides, the operating bandwidth of the LTE Band 5 (824 – 849 MHz) is smaller than the LTE Band 26 (814 – 849 MHz). For overlapping bands, only larger band (LTE Band 26) was tested.

WIFI Mode (2.4G)

Mode	Channel number	Frequency (MHz)	Data rate (Mbps)	Average Output Power(dBm)	Average Tune up limited(dBm)
802.11b	1	2412	1	16.6	16±1
	6	2437	1	16.1	16±1
	11	2462	1	16.3	16±1
802.11g	1	2412	6	14.3	14±1
	6	2437	6	14.1	14±1
	11	2462	6	13.5	14±1
802.11n(HT20)	1	2412	MCS0	10.2	10±1
	6	2437	MCS0	10.1	10±1
	11	2462	MCS0	9.8	10±1

11.2 SAR TEST RESULTS

Table 5: SAR Values of GSM 850MHz Band

Test Positions	Channel		Test Mode	Power(dBm)			SAR 10g(W/Kg), Limit (4W/kg)		
	CH.			Maximum Turn-up Power(dBm)	Measured output power(dBm)	Drift (dB)	Measured SAR 10g(W/kg)	Scaling Factor	Reported SAR 10g(W/kg)
Limb (0mm Separation)	1	190	GPRS (4Slot)	29.0	28.8	0.19	1.64	1.05	1.72
	2	190	GPRS (4Slot)	29.0	28.8	0.07	0.101	1.05	0.11
	3	190	GPRS (4Slot)	29.0	28.8	0.11	0.022	1.05	0.02
	4	190	GPRS (4Slot)	29.0	28.8	-0.03	0.103	1.05	0.11
	5	190	GPRS (4Slot)	29.0	28.8	0.13	0.114	1.05	0.12
	6	190	GPRS (4Slot)	29.0	28.8	0.08	1.063	1.05	1.12
	7	190	GPRS (4Slot)	29.0	28.8	0.15	0.862	1.05	0.91
	8	190	GPRS (4Slot)	29.0	28.8	-0.1	1.621	1.05	1.70
	9	190	GPRS (4Slot)	29.0	28.8	0.06	0.021	1.05	0.02

Table 6: SAR Values of GSM 1900MHz Band

Test Positions	Channel		Test Mode	Power(dBm)			SAR 10g(W/Kg), Limit (4W/kg)		
	CH.			Maximum Turn-up Power(dBm)	Measured output power(dBm)	Drift (dB)	Measured SAR 10g(W/kg)	Scaling Factor	Reported SAR 10g(W/kg)
Limb (0mm Separation)	1	661	GPRS (3Slot)	26.0	25.95	-0.1	1.10	1.01	1.11
	2	661	GPRS (3Slot)	26.0	25.95	0.03	0.337	1.01	0.34
	3	661	GPRS (3Slot)	26.0	25.95	0.10	0.231	1.01	0.23
	4	661	GPRS (3Slot)	26.0	25.95	0.00	0.745	1.01	0.75
	5	661	GPRS (3Slot)	26.0	25.95	0.04	0.142	1.01	0.14
	6	661	GPRS (3Slot)	26.0	25.95	0.03	0.126	1.01	0.13
	7	661	GPRS (3Slot)	26.0	25.95	0.00	0.292	1.01	0.30
	8	661	GPRS (3Slot)	26.0	25.95	0.05	1.76	1.01	1.78
	9	661	GPRS (3Slot)	26.0	25.95	0.06	0.76	1.01	0.77

Table 7: SAR Values of WCDMA BAND II

Test Positions		Channel	Test Mode	Power(dBm)		Drift (dB)	SAR 10g(W/Kg), Limit (4W/kg)		
		CH.		Maximum Turn-up Power(dBm)	Measured output power(dBm)		Measured SAR 10g(W/kg)	Scaling Factor	Reported SAR 10g(W/kg)
Limb (0mm Separation)	1	9400	RMC 12.2kbps	23.5	23.34	-0.2	2.12	1.04	2.20
	2	9400	RMC 12.2kbps	23.5	23.34	0.11	0.53	1.04	0.551
	3	9400	RMC 12.2kbps	23.5	23.34	0.15	0.57	1.04	0.592
	4	9400	RMC 12.2kbps	23.5	23.34	0.14	0.64	1.04	0.665
	5	9400	RMC 12.2kbps	23.5	23.34	0.02	0.39	1.04	0.405
	6	9400	RMC 12.2kbps	23.5	23.34	0.03	0.42	1.04	0.436
	7	9400	RMC 12.2kbps	23.5	23.34	0.04	0.13	1.04	0.135
	8	9400	RMC 12.2kbps	23.5	23.34	-0.12	2.85	1.04	2.96
	9	9400	RMC 12.2kbps	23.5	23.34	0.01	0.82	1.04	0.85
	1	9262	RMC 12.2kbps	23.5	23.34	-0.03	2.85	1.04	2.96
	1	9538	RMC 12.2kbps	23.5	23.30	0.18	2.75	1.05	2.88

Table 8: SAR Values of WCDMA BAND IV

Test Positions		Channel	Test Mode	Power(dBm)		Drift (dB)	SAR 10g(W/Kg), Limit (4W/kg)		
		CH.		Maximum Turn-up Power(dBm)	Measured output power(dBm)		Measured SAR 10g(W/kg)	Scaling Factor	Reported SAR 10g(W/kg)
Limb (0mm Separation)	1	1312	RMC 12.2kbps	24.5	23.92	0.19	2.73	1.14	3.12
	2	1312	RMC 12.2kbps	24.5	23.92	0.01	1.03	1.14	1.17
	3	1312	RMC 12.2kbps	24.5	23.92	0.03	1.12	1.14	1.27
	4	1312	RMC 12.2kbps	24.5	23.92	- 0.03	1.59	1.14	1.81
	5	1312	RMC 12.2kbps	24.5	23.92	0.00	0.56	1.14	0.64
	6	1312	RMC 12.2kbps	24.5	23.92	0.00	0.87	1.14	0.99
	7	1312	RMC 12.2kbps	24.5	23.92	0.01	0.53	1.14	0.60
	8	1312	RMC 12.2kbps	24.5	23.92	0.12	2.30	1.14	2.63
	9	1312	RMC 12.2kbps	24.5	23.92	0.12	1.21	1.14	1.38
	1	1413	RMC 12.2kbps	24.5	23.80	- 0.03	2.71	1.17	3.18
	1	1513	RMC 12.2kbps	24.5	23.69	0.13	2.12	1.21	2.56

Table 9: SAR Values of LTE BAND 2, 20MHz, QPSK

Test Positions		Channel	Power(dBm)		Drift (dB)	SAR 10g(W/Kg), Limit (4W/kg)		
		CH.	Maximum Turn-up Power(dBm)	Measured output power(dBm)		Measured SAR 10g(W/kg)	Scaling Factor	Reported SAR 10g(W/kg)
1RB #49 Limb (0mm Separation)	1	18700	23.5	23.5	0.11	1.36	1.00	1.36
	2	18700	23.5	23.5	0.02	0.36	1.00	0.36
	3	18700	23.5	23.5	0.11	0.21	1.00	0.21
	4	18700	23.5	23.5	0.03	0.69	1.00	0.69
	5	18700	23.5	23.5	-0.11	0.13	1.00	0.13
	6	18700	23.5	23.5	-0.05	0.09	1.00	0.09
	7	18700	23.5	23.5	-0.02	0.26	1.00	0.26
	8	18700	23.5	23.5	0.13	1.45	1.00	1.45
	9	18700	23.5	23.5	0.12	0.14	1.00	0.14
50RB #50 Limb (0mm Separation)	1	18700	23.5	22.22	0.10	1.02	1.34	1.37
	2	18700	23.5	22.22	0.01	0.23	1.34	0.31
	3	18700	23.5	22.22	0.15	0.19	1.34	0.26
	4	18700	23.5	22.22	0.05	0.56	1.34	0.75
	5	18700	23.5	22.22	0.14	0.19	1.34	0.26
	6	18700	23.5	22.22	0.16	0.13	1.34	0.18
	7	18700	23.5	22.22	0.16	0.19	1.34	0.26
	8	18700	23.5	22.22	0.13	1.02	1.34	1.37
	9	18700	23.5	22.22	0.14	0.18	1.34	0.24

Table 10: SAR Values of LTE BAND 4, 20MHz, QPSK

Test Positions		Channel	Power(dBm)		Drift (dB)	SAR 10g(W/Kg), Limit (4W/kg)		
		CH.	Maximum Turn-up Power(dBm)	Measured output power(dBm)		Measured SAR 10g(W/kg)	Scaling Factor	Reported SAR 10g(W/kg)
1RB #49 Limb (0mm Separation)	1	20175	24.0	24.0	-0.16	1.170	1.00	1.170
	2	20175	24.0	24.0	0.01	0.789	1.00	0.789
	3	20175	24.0	24.0	0.15	0.218	1.00	0.218
	4	20175	24.0	24.0	-0.05	0.995	1.00	0.995
	5	20175	24.0	24.0	0.14	0.270	1.00	0.270
	6	20175	24.0	24.0	-0.16	0.194	1.00	0.194
	7	20175	24.0	24.0	0.16	0.105	1.00	0.105
	8	20175	24.0	24.0	0.13	0.999	1.00	0.999
	9	20175	24.0	24.0	0.14	0.238	1.00	0.238
50RB #50 Limb (0mm Separation)	1	18700	24.0	22.74	0.01	0.830	1.34	1.109
	2	18700	24.0	22.74	-0.01	0.506	1.34	0.676
	3	18700	24.0	22.74	0.12	0.117	1.34	0.156
	4	18700	24.0	22.74	0.03	0.694	1.34	0.928
	5	18700	24.0	22.74	-0.14	0.103	1.34	0.138
	6	18700	24.0	22.74	0.02	0.111	1.34	0.148
	7	18700	24.0	22.74	0.06	0.086	1.34	0.115
	8	18700	24.0	22.74	-0.02	0.704	1.34	0.941
	9	18700	24.0	22.74	0.15	0.205	1.34	0.274

Table 11: SAR Values of LTE BAND 7, 20MHz, QPSK

Test Positions		Channel	Power(dBm)		Drift (dB)	SAR 10g(W/Kg), Limit (4W/kg)		
		CH.	Maximum Turn-up Power(dBm)	Measured output power(dBm)		Measured SAR 10g(W/kg)	Scaling Factor	Reported SAR 10g(W/kg)
1RB #49 Limb (0mm Separation)	1	21350	24.5	24.42	0.11	0.812	1.02	0.83
	2	21350	24.5	24.42	-0.04	0.308	1.02	0.31
	3	21350	24.5	24.42	-0.04	0.094	1.02	0.10
	4	21350	24.5	24.42	0.02	0.317	1.02	0.32
	5	21350	24.5	24.42	-0.11	0.223	1.02	0.23
	6	21350	24.5	24.42	0.02	0.092	1.02	0.09
	7	21350	24.5	24.42	0.12	0.031	1.02	0.03
	8	21350	24.5	24.42	-0.03	0.661	1.02	0.67
	9	21350	24.5	24.42	0.10	0.136	1.02	0.14
50RB #50 Limb (0mm Separation)	1	21350	24.5	23.26	0.08	0.594	1.33	0.79
	2	21350	24.5	23.26	0.03	0.248	1.33	0.33
	3	21350	24.5	23.26	-0.11	0.09	1.33	0.12
	4	21350	24.5	23.26	0.02	0.218	1.33	0.29
	5	21350	24.5	23.26	-0.01	0.188	1.33	0.25
	6	21350	24.5	23.26	-0.11	0.038	1.33	0.05
	7	21350	24.5	23.26	0.07	0.068	1.33	0.09
	8	21350	24.5	23.26	0.07	0.458	1.33	0.61
	9	21350	24.5	23.26	-0.12	0.135	1.33	0.18

Table 12: SAR Values of LTE BAND 12, 10MHz, QPSK

Test Positions		Channel	Power(dBm)		Drift (dB)	SAR 10g(W/Kg), Limit (4W/kg)		
		CH.	Maximum Turn-up Power(dBm)	Measured output power(dBm)		Measured SAR 10g(W/kg)	Scaling Factor	Reported SAR 10g(W/kg)
1RB #49 Limb (0mm Separation)	1	23130	24.0	24.0	0.16	0.551	1.00	0.55
	2	23130	24.0	24.0	0.12	0.001	1.00	0.00
	3	23130	24.0	24.0	-0.12	0.004	1.00	0.00
	4	23130	24.0	24.0	0.01	0.080	1.00	0.08
	5	23130	24.0	24.0	0.01	0.014	1.00	0.01
	6	23130	24.0	24.0	0.04	0.611	1.00	0.61
	7	23130	24.0	24.0	0.12	0.025	1.00	0.03
	8	23130	24.0	24.0	-0.17	0.445	1.00	0.45
	9	23130	24.0	24.0	0.05	0.521	1.00	0.52
25RB #0 Limb (0mm Separation)	1	23130	24.0	22.58	0.11	0.368	1.39	0.51
	2	23130	24.0	22.58	0.07	0.002	1.39	0.00
	3	23130	24.0	22.58	-0.12	0.003	1.39	0.00
	4	23130	24.0	22.58	0.08	0.065	1.39	0.09
	5	23130	24.0	22.58	0.03	0.022	1.39	0.03
	6	23130	24.0	22.58	0.08	0.411	1.39	0.57
	7	23130	24.0	22.58	-0.11	0.014	1.39	0.02
	8	23130	24.0	22.58	-0.03	0.296	1.39	0.41
	9	23130	24.0	22.58	0.03	0.332	1.39	0.46

Table 13: SAR Values of LTE BAND 13, 10MHz, QPSK

Test Positions		Channel	Power(dBm)		Drift (dB)	SAR 10g(W/Kg), Limit (4W/kg)		
		CH.	Maximum Turn-up Power(dBm)	Measured output power(dBm)		Measured SAR 10g(W/kg)	Scaling Factor	Reported SAR 10g(W/kg)
1RB #49 Limb (0mm Separation)	1	23230	24.0	23.7	0.14	0.660	1.07	0.71
	2	23230	24.0	23.7	0.00	0.002	1.07	0.00
	3	23230	24.0	23.7	0.11	0.003	1.07	0.00
	4	23230	24.0	23.7	0.13	0.081	1.07	0.09
	5	23230	24.0	23.7	0.14	0.014	1.07	0.02
	6	23230	24.0	23.7	-0.17	0.649	1.07	0.69
	7	23230	24.0	23.7	0.05	0.026	1.07	0.03
	8	23230	24.0	23.7	-0.09	0.447	1.07	0.48
	9	23230	24.0	23.7	-0.07	0.564	1.07	0.60
25RB #12 Limb (0mm Separation)	1	23230	24.0	22.74	-0.09	0.411	1.34	0.55
	2	23230	24.0	22.74	0.19	0.001	1.34	0.00
	3	23230	24.0	22.74	-0.04	0.002	1.34	0.00
	4	23230	24.0	22.74	-0.01	0.075	1.34	0.10
	5	23230	24.0	22.74	0.04	0.000	1.34	0.00
	6	23230	24.0	22.74	0.10	0.426	1.34	0.57
	7	23230	24.0	22.74	0.12	0.015	1.34	0.02
	8	23230	24.0	22.74	-0.18	0.269	1.34	0.36
	9	23230	24.0	22.74	-0.17	0.267	1.34	0.40

Table 14: SAR Values of LTE BAND 25, 20MHz, QPSK

Test Positions		Channel	Power(dBm)		Drift (dB)	SAR 10g(W/Kg), Limit (4W/kg)		
		CH.	Maximum Turn-up Power(dBm)	Measured output power(dBm)		Measured SAR 10g(W/kg)	Scaling Factor	Reported SAR 10g(W/kg)
1RB #49 Limb (0mm Separation)	1	26465	24.5	24.2	0.09	1.59	1.07	1.70
	2	26465	24.5	24.2	0.05	0.403	1.07	0.43
	3	26465	24.5	24.2	-0.16	0.272	1.07	0.29
	4	26465	24.5	24.2	0.11	0.511	1.07	0.55
	5	26465	24.5	24.2	-0.17	0.301	1.07	0.32
	6	26465	24.5	24.2	-0.18	0.521	1.07	0.56
	7	26465	24.5	24.2	0.15	0.072	1.07	0.08
	8	26465	24.5	24.2	-0.01	1.32	1.07	1.41
	9	26465	24.5	24.2	0.19	0.592	1.07	0.63
50RB #25 Limb (0mm Separation)	1	26140	24.5	23.01	-0.02	1.086	1.41	1.53
	2	26140	24.5	23.01	-0.20	0.255	1.41	0.36
	3	26140	24.5	23.01	-0.04	0.234	1.41	0.33
	4	26140	24.5	23.01	0.00	0.305	1.41	0.43
	5	26140	24.5	23.01	0.18	0.142	1.41	0.20
	6	26140	24.5	23.01	0.18	0.362	1.41	0.51
	7	26140	24.5	23.01	-0.15	0.078	1.41	0.11
	8	26140	24.5	23.01	-0.12	0.972	1.41	1.37
	9	26140	24.5	23.01	-0.03	0.468	1.41	0.66

Table 15: SAR Values of LTE BAND 26 (814MHz-824MHz) , 15MHz, QPSK

Test Positions		Channel	Power(dBm)		Drift (dB)	SAR 10g(W/Kg), Limit (4W/kg)		
		CH.	Maximum Turn-up Power(dBm)	Measured output power(dBm)		Measured SAR 10g(W/kg)	Scaling Factor	Reported SAR 10g(W/kg)
1RB #49 Limb (0mm Separation)	1	26765	24.5	23.65	0.13	0.798	1.22	0.97
	2	26765	24.5	23.65	0.02	0.302	1.22	0.37
	3	26765	24.5	23.65	0.14	0.255	1.22	0.31
	4	26765	24.5	23.65	0.09	0.408	1.22	0.50
	5	26765	24.5	23.65	-0.13	0.196	1.22	0.24
	6	26765	24.5	23.65	0.04	0.618	1.22	0.75
	7	26765	24.5	23.65	0.10	0.068	1.22	0.08
	8	26765	24.5	23.65	-0.05	0.668	1.22	0.81
	9	26765	24.5	23.65	-0.12	0.672	1.22	0.82
38RB #18 Limb (0mm Separation)	1	26765	24.5	22.82	0.11	0.618	1.47	0.91
	2	26765	24.5	22.82	-0.11	0.265	1.47	0.39
	3	26765	24.5	22.82	0.14	0.245	1.47	0.36
	4	26765	24.5	22.82	-0.10	0.285	1.47	0.42
	5	26765	24.5	22.82	0.19	0.197	1.47	0.29
	6	26765	24.5	22.82	-0.06	0.475	1.47	0.70
	7	26765	24.5	22.82	0.14	0.034	1.47	0.05
	8	26765	24.5	22.82	-0.10	0.543	1.47	0.80
	9	26765	24.5	22.82	-0.08	0.496	1.47	0.73

Table 16: SAR Values of LTE BAND 26 (824MHz-849MHz) , 15MHz, QPSK

Test Positions		Channel	Power(dBm)		Drift (dB)	SAR 10g(W/Kg), Limit (4W/kg)		
		CH.	Maximum Turn-up Power(dBm)	Measured output power(dBm)		Measured SAR 10g(W/kg)	Scaling Factor	Reported SAR 10g(W/kg)
1RB #49 Limb (0mm Separation)	1	26865	24.0	23.98	0.06	0.780	1.00	0.78
	2	26865	24.0	23.98	0.14	0.414	1.00	0.41
	3	26865	24.0	23.98	-0.19	0.295	1.00	0.30
	4	26865	24.0	23.98	0.19	0.427	1.00	0.43
	5	26865	24.0	23.98	0.08	0.277	1.00	0.28
	6	26865	24.0	23.98	0.10	0.643	1.00	0.64
	7	26865	24.0	23.98	-0.10	0.076	1.00	0.08
	8	26865	24.0	23.98	-0.06	0.75	1.00	0.75
	9	26865	24.0	23.98	0.01	0.66	1.00	0.66
38RB #18 Limb (0mm Separation)	1	26965	24.5	22.86	0.13	0.487	1.46	0.71
	2	26965	24.5	22.86	-0.14	0.24	1.46	0.35
	3	26965	24.5	22.86	-0.18	0.219	1.46	0.32
	4	26965	24.5	22.86	-0.03	0.281	1.46	0.41
	5	26965	24.5	22.86	0.09	0.247	1.46	0.36
	6	26965	24.5	22.86	0.13	0.404	1.46	0.59
	7	26965	24.5	22.86	0.00	0.048	1.46	0.07
	8	26965	24.5	22.86	0.04	0.487	1.46	0.71
	9	26965	24.5	22.86	-0.16	0.404	1.46	0.59

Table 17: SAR Values of LTE BAND 38, 20MHz, QPSK

Test Positions		Channel	Power(dBm)		Drift (dB)	SAR 10g(W/Kg), Limit (4W/kg)		
		CH.	Maximum Turn-up Power(dBm)	Measured output power(dBm)		Measured SAR 10g(W/kg)	Scaling Factor	Reported SAR 10g(W/kg)
1RB #49 Limb (0mm Separation)	1	38000	24.5	24.04	-0.01	0.241	1.11	0.27
	2	38000	24.5	24.04	-0.16	0.131	1.11	0.15
	3	38000	24.5	24.04	-0.02	0.082	1.11	0.09
	4	38000	24.5	24.04	0.07	0.147	1.11	0.16
	5	38000	24.5	24.04	-0.15	0.110	1.11	0.12
	6	38000	24.5	24.04	0.00	0.058	1.11	0.06
	7	38000	24.5	24.04	-0.03	0.023	1.11	0.03
	8	38000	24.5	24.04	0.06	0.218	1.11	0.24
	9	38000	24.5	24.04	-0.07	0.104	1.11	0.12
50RB #50 Limb (0mm Separation)	1	38150	24.5	23.05	0.04	0.186	1.40	0.26
	2	38150	24.5	23.05	0.07	0.115	1.40	0.16
	3	38150	24.5	23.05	-0.01	0.079	1.40	0.11
	4	38150	24.5	23.05	-0.12	0.086	1.40	0.12
	5	38150	24.5	23.05	-0.04	0.072	1.40	0.10
	6	38150	24.5	23.05	-0.09	0.064	1.40	0.09
	7	38150	24.5	23.05	-0.20	0.029	1.40	0.04
	8	38150	24.5	23.05	0.00	0.136	1.40	0.19
	9	38150	24.5	23.05	0.11	0.114	1.40	0.16

Table 18: SAR Values of LTE BAND 41, 20MHz, QPSK

Test Positions		Channel	Power(dBm)		Drift (dB)	SAR 10g(W/Kg), Limit (4W/kg)		
		CH.	Maximum Turn-up Power(dBm)	Measured output power(dBm)		Measured SAR 10g(W/kg)	Scaling Factor	Reported SAR 10g(W/kg)
1RB #49 Limb (0mm Separation)	1	40620	24.5	24.14	-0.01	0.241	1.09	0.26
	2	40620	24.5	24.14	-0.11	0.071	1.09	0.08
	3	40620	24.5	24.14	-0.06	0.092	1.09	0.10
	4	40620	24.5	24.14	-0.16	0.147	1.09	0.16
	5	40620	24.5	24.14	-0.07	0.041	1.09	0.05
	6	40620	24.5	24.14	0.11	0.038	1.09	0.04
	7	40620	24.5	24.14	-0.15	0.063	1.09	0.07
	8	40620	24.5	24.14	0.12	0.228	1.09	0.25
	9	40620	24.5	24.14	0.07	0.101	1.09	0.11
50RB #25 Limb (0mm Separation)	1	41490	24.5	22.85	0.01	0.171	1.46	0.25
	2	41490	24.5	22.85	0.08	0.062	1.46	0.09
	3	41490	24.5	22.85	0.04	0.075	1.46	0.11
	4	41490	24.5	22.85	0.13	0.116	1.46	0.17
	5	41490	24.5	22.85	-0.04	0.041	1.46	0.06
	6	41490	24.5	22.85	-0.04	0.027	1.46	0.04
	7	41490	24.5	22.85	0.13	0.055	1.46	0.08
	8	41490	24.5	22.85	-0.06	0.15	1.46	0.22
	9	41490	24.5	22.85	-0.10	0.089	1.46	0.13

Table 19: SAR Values of 802.11b

Test Positions	Channel		Test Mode	Power(dBm)		Drift (dB)	SAR 10g(W/Kg), Limit (4W/kg)		
	CH.			Maximum Turn-up Power(dBm)	Measured output power(dBm)		Measured SAR 10g(W/kg)	Scaling Factor	Reported SAR 10g(W/kg)
Limb (0mm Separation))	2	2412	1Mbps	17.0	16.6	-0.05	0.001	1.10	0.001
	3	2412	1Mbps	17.0	16.6	-0.06	0.028	1.10	0.031
	4	2412	1Mbps	17.0	16.6	0.11	0.022	1.10	0.025
	5	2412	1Mbps	17.0	16.6	0.13	0.032	1.10	0.035
	6	2412	1Mbps	17.0	16.6	0.12	0.550	1.10	0.603
	8	2412	1Mbps	17.0	16.6	-0.03	0.27	1.10	0.30

Note:

1. According to FCC KDB 2484227 D01v02r02 section 5.2.2, DSSS SAR value*(OFDM power/DSSS power)=0.368*(10^(16.6.0/10)/10^(14.3/10))=0.62W/kg≤1.2W/kg, SAR for OFDM is not required.
2. The maximum output power for 100% RB allocation is less than 50% and 1%RB allocation. According to FCC KDB 941225 D02 v02r05, the SAR measurement is not required for QPSK 100% RB.
3. The maximum output power for 16QAM < the same configuration in QPSK and the reported SAR for QPSK is <1.45W/kg. According to FCC KDB 941225 D02 v02r05, the SAR measurement is not required for 16QAM.
4. According to KDB 447498 D01, testing of other required channels within the operating mode of a frequency band is not required when the reported 1-g or 10-g SAR for the mid-band or highest output power channel is:
 - a) ≤ 0.8 W/kg or 2.0 W/kg, for 1-g or 10-g respectively, when the transmission band is ≤ 100 MHz
 - b) ≤ 0.6 W/kg or 1.5 W/kg, for 1-g or 10-g respectively, when the transmission band is between 100 MHz and 200 MHz
 - c) ≤ 0.4 W/kg or 1.0 W/kg, for 1-g or 10-g respectively, when the transmission band is ≥ 200 MHz

Measurement variability consideration

According to KDB 865664 D01v01r04 section 2.8.1, repeated measurements are required following the procedures as below:

1. Repeated measurement is not required when the original highest measured SAR is < 2.00W/kg; steps 2) through 4) do not apply.
2. When the original highest measured SAR is ≥ 2.00 W/kg, repeat that measurement once.
3. Perform a second repeated measurement only if the ratio of largest to smallest SAR for the original and first repeated measurements is > 3.00 or when the original or repeated measurement is ≥ 3.625 W/kg (~ 10% from the 10-g SAR limit).
4. Perform a third repeated measurement only if the original, first or second repeated measurement is ≥ 3.75 W/kg and the ratio of largest to smallest SAR for the original, first and second repeated measurements is > 3.0.

Repeated SAR

Table 20: SAR Values of WCDMA BAND II

Test Positions		Channel	Test Mode	Power(dBm)		Drift (dB)	SAR 10g(W/Kg), Limit (4.0W/kg)		
		CH.		Maximum Turn-up Power(dBm)	Measured output power(dBm)		Measured SAR 10g(W/kg)	Scaling Facto	Reported SAR 10g(W/kg)
Limb (0mm Separation)	1	9400	RMC 12.2kbps	23.5	23.34	-0.15	2.10	1.04	2.18
	8	9400	RMC 12.2kbps	23.5	23.34	-0.17	2.82	1.04	2.93
	8	9262	RMC 12.2kbps	23.5	23.34	-0.06	2.78	1.04	2.89
	8	9538	RMC 12.2kbps	23.5	23.33	-0.15	2.70	1.04	2.81

Table 21: SAR Values of WCDMA BAND IV

Test Positions		Channel	Test Mode	Power(dBm)		Drift (dB)	SAR 10g(W/Kg), Limit (4.0W/kg)		
		CH.		Maximum Turn-up Power(dBm)	Measured output power(dBm)		Measured SAR 10g(W/kg)	Scaling Facto	Reported SAR 10g(W/kg)
Limb (0mm Separation)	1	1312	RMC 12.2kbps	24.5	23.92	-0.02	2.70	1.14	3.09
	8	1312	RMC 12.2kbps	24.5	23.92	-0.07	2.22	1.14	2.54
	1	1413	RMC 12.2kbps	24.5	23.80	0.13	2.66	1.17	3.13
	1	1513	RMC 12.2kbps	24.5	23.69	-0.18	2.07	1.21	2.49

Simultaneous Transmission SAR Analysis.

List of Mode for Simultaneous Multi-band Transmission:

No.	Configurations	Limb SAR
1	GPRS (Data) + WLAN 2.4GHz (Data)	Yes
2	WCDMA (Data) + WLAN 2.4GHz (Data)	Yes
3	LTE (Data) + WLAN 2.4GHz (Data)	Yes

Remark:

1. GSM/ WCDMA/LTE share the same antenna and cannot transmit simultaneously.
2. VOIP is not supported at 2G/ 3G data mode.
3. According to the KDB 447498 D01 v06, when standalone SAR test exclusion applies to an antenna that transmits simultaneously with other antennas, the standalone SAR must be estimated according to following to determine simultaneous transmission SAR test exclusion:
(max. power of channel, including tune-up tolerance, mW)/ (min. test separation distance, mm)] · [vf(GHz)/x] W/kg for test separation distances ≤50 mm;
where x = 7.5 for 1-g SAR, and x = 18.75 for 10-g SAR.
4. The maximum SAR summation is calculated based on the same configuration and test position

Simultaneous Transmission SAR

Limb SAR

WWAN+ WIFI

Position	1	2	3	4	5	6	7	8	9	Bottom
SAR 1g(W/Kg)										
GSM 850	1.72	0.11	0.02	0.11	0.12	1.12	0.91	1.7	0.02	-
GSM1900	1.11	0.34	0.23	0.75	0.14	0.13	0.3	1.78	0.77	-
UMTS B2	2.2	0.551	0.592	0.665	0.405	0.436	0.135	2.96	0.85	-
UMTS B4	3.18	1.17	1.27	1.81	0.64	0.99	0.6	2.63	1.38	-
LTE B2(1RB)	1.36	0.36	0.21	0.69	0.13	0.09	0.26	1.45	0.14	-
LTE B2(50RB)	1.37	0.31	0.26	0.75	0.26	0.18	0.26	1.37	0.24	-
LTE B4(1RB)	1.17	0.789	0.218	0.995	0.27	0.194	0.105	0.999	0.238	-
LTE B4(50RB)	1.109	0.676	0.156	0.928	0.138	0.148	0.115	0.941	0.274	-
LTE B7(1RB)	0.83	0.31	0.1	0.32	0.23	0.09	0.03	0.67	0.14	-
LTE B7(50RB)	0.79	0.33	0.12	0.29	0.25	0.05	0.09	0.61	0.18	-
LTE B12(1RB)	0.55	0	0	0.08	0.01	0.61	0.03	0.45	0.52	-
LTE B12(25RB)	0.51	0	0	0.09	0.03	0.57	0.02	0.41	0.46	-
LTE B13(1RB)	0.71	0	0	0.09	0.02	0.69	0.03	0.48	0.6	-
LTE B13(25RB)	0.55	0	0	0.1	0	0.57	0.02	0.36	0.4	-
LTE B25(1RB)	1.7	0.43	0.29	0.55	0.32	0.56	0.08	1.41	0.63	-
LTE B25(50RB)	1.53	0.36	0.33	0.43	0.2	0.51	0.11	1.37	0.66	-
LTE B26-1(1RB)	0.97	0.37	0.31	0.5	0.24	0.75	0.08	0.81	0.82	-
LTE B26-1(38RB)	0.91	0.39	0.36	0.42	0.29	0.7	0.05	0.8	0.73	-
LTE B26-2(1RB)	0.78	0.41	0.3	0.43	0.28	0.64	0.08	0.75	0.66	-
LTE B26-2(38RB)	0.71	0.35	0.32	0.41	0.36	0.59	0.07	0.71	0.59	-
LTE B38(1RB)	0.27	0.15	0.09	0.16	0.12	0.06	0.03	0.24	0.12	-
LTE B38(50RB)	0.26	0.16	0.11	0.12	0.1	0.09	0.04	0.19	0.16	-

LTE B41(1RB)	0.26	0.08	0.1	0.16	0.05	0.04	0.07	0.25	0.11	-
LTE B41(50RB)	0.25	0.09	0.11	0.17	0.06	0.04	0.08	0.22	0.13	-
WiFi 2.4G	-	0.001	0.031	0.025	0.035	0.603	-	0.3	-	-
WWAN + WIFI 2.4GHz	3.18	1.171	1.301	1.835	0.675	1.593	0.91	3.26	1.38	-

11.3 MAXIMUM GRAPH RESULTS

The graph results see ANNEX C.

12 MEASUREMENT UNCERTAINTY

When the highest measured 1-g SAR within a frequency band is < 1.5 W/kg, the extensive SAR measurement uncertainty analysis described in IEEE Std 1528-2013 is not required in SAR reports submitted for equipment approval.

13 MAIN TEST INSTRUMENT

	Equipment No.	Equipment	Manufacturer	Model No.	Serial No.	Last Cal.	Cal. Interval
<input checked="" type="checkbox"/>	SZ060-01	SAR Test System	SPEAG	DASY52 SAR TX90XL	F14/5YJ0B1/A/01	12/30/2021	1 year
<input checked="" type="checkbox"/>	SZ060-01-01	E-Field Probe	SPEAG	EX3DV4	7322	01/17/2022	1 year
<input checked="" type="checkbox"/>	SZ060-01-03	System Validation Dipole	SPEAG	D750V3	1141	09/23/2019	3 year
<input checked="" type="checkbox"/>	SZ060-01-04	System Validation Dipole	SPEAG	D835V2	4d196	10/18/2021	3 year
<input checked="" type="checkbox"/>	SZ060-01-05	System Validation Dipole	SPEAG	D900V2	1d182	10/19/2021	3 year
<input checked="" type="checkbox"/>	SZ060-01-06	System Validation Dipole	SPEAG	D1750V2	1138	10/19/2021	3 year
<input checked="" type="checkbox"/>	SZ060-01-07	System Validation Dipole	SPEAG	D1900V2	5d203	10/18/2021	3 year
<input checked="" type="checkbox"/>	SZ060-01-09	System Validation Dipole	SPEAG	D2300V2	1052	10/20/2021	3 year
<input checked="" type="checkbox"/>	SZ060-01-10	System Validation Dipole	SPEAG	D2450V2	966	10/21/2021	3 year
<input checked="" type="checkbox"/>	SZ060-01-11	System Validation Dipole	SPEAG	D2300V2	1108	10/19/2021	3 year
<input checked="" type="checkbox"/>	SZ060-01-12	System Validation Dipole	SPEAG	D5GHzV2	1218	10/15/2021	3 year
<input checked="" type="checkbox"/>	SZ060-01-13	Data Acquisition Unit	SPEAG	DAE4	1473	12/30/2021	1 year
<input checked="" type="checkbox"/>	SZ060-01-14	Dielectric Assessment Kit	SPEAG	DAKS 3.5	1056	N/A	N/A
<input checked="" type="checkbox"/>	SZ060-01-15	Vector Reflectometer	Copper Mountain Technologies	Planar R140	0090614	N/A	N/A
<input checked="" type="checkbox"/>	SZ060-01-16	Thermometer	LKM electronics GmbH	DTM3000	3477	12/23/2021	1 year
<input checked="" type="checkbox"/>	SZ060-01-17	Power Amplifier	Mini Circuits	ZHL-42W+	QA1449003	5/10/2021	1 year
<input checked="" type="checkbox"/>	SZ060-01-18	Power Amplifier	Mini Circuits	ZVE-8G+	111701437	5/10/2021	1 year
<input checked="" type="checkbox"/>	SZ060-01-19	SAM Twin Phantom	SPEAG	SAM Twin Phantom V5.0	1888	N/A	N/A
<input checked="" type="checkbox"/>	SZ060-01-20	SAM Twin Phantom	SPEAG	SAM Twin Phantom V5.0	1891	N/A	N/A
<input checked="" type="checkbox"/>	SZ060-01-21	ELI Phantom	SPEAG	ELI Phantom V6.0	2033	N/A	N/A
<input checked="" type="checkbox"/>	SZ180-13	MXG Vector Signal Generator	Keysight	N5182B	MY53051328	10/25/2021	1 year
<input checked="" type="checkbox"/>	SZ070-04	Directional Bridge	Agilent	86205A	MY31402141	12/21/2021	1 year
<input checked="" type="checkbox"/>	SZ182-02	RF Power Meter	Anritsu	ML2496A	1302005	5/10/2021	1 year
<input checked="" type="checkbox"/>	SZ182-03	Average power sensor	R&S	NRP-Z22	101689	5/10/2021	1 year
<input checked="" type="checkbox"/>	SZ065-06	Wideband Radio Communication Tester	R&S	CMU200	112012	5/27/2021	1 year
<input checked="" type="checkbox"/>	N/A	Device Holder	SPEAG	N/A	N/A	N/A	N/A

ANNEX A Test Position Photos

The graph results see 220211030SZN-003_SAR Appendix 1.

ANNEX B System Check Results

The graph results see 220211030SZN-003_SAR Appendix 1.

ANNEX C: MAXIMUM GRAPH RESULTS

The graph results see 220211030SZN-003_SAR Appendix 1.

ANNEX D: SYSTEM VALIDATION

The graph results see 220211030SZN-003_SAR Appendix 1.

ANNEX E RELEVANT PAGES FROM PROBE CALIBRATION REPORT(S)

The graph results see 220211030SZN-003_SAR Appendix 2.

ANNEX F RELEVANT PAGES FROM DIPOLE VALIDATION KIT REPORT(S)

The graph results see 220211030SZN-003_SAR Appendix 2.

ANNEX G RELEVANT PAGES FROM DAE CALIBRATION REPORT(S)

The graph results see 220211030SZN-003_SAR Appendix 2.

*****End The Report*****