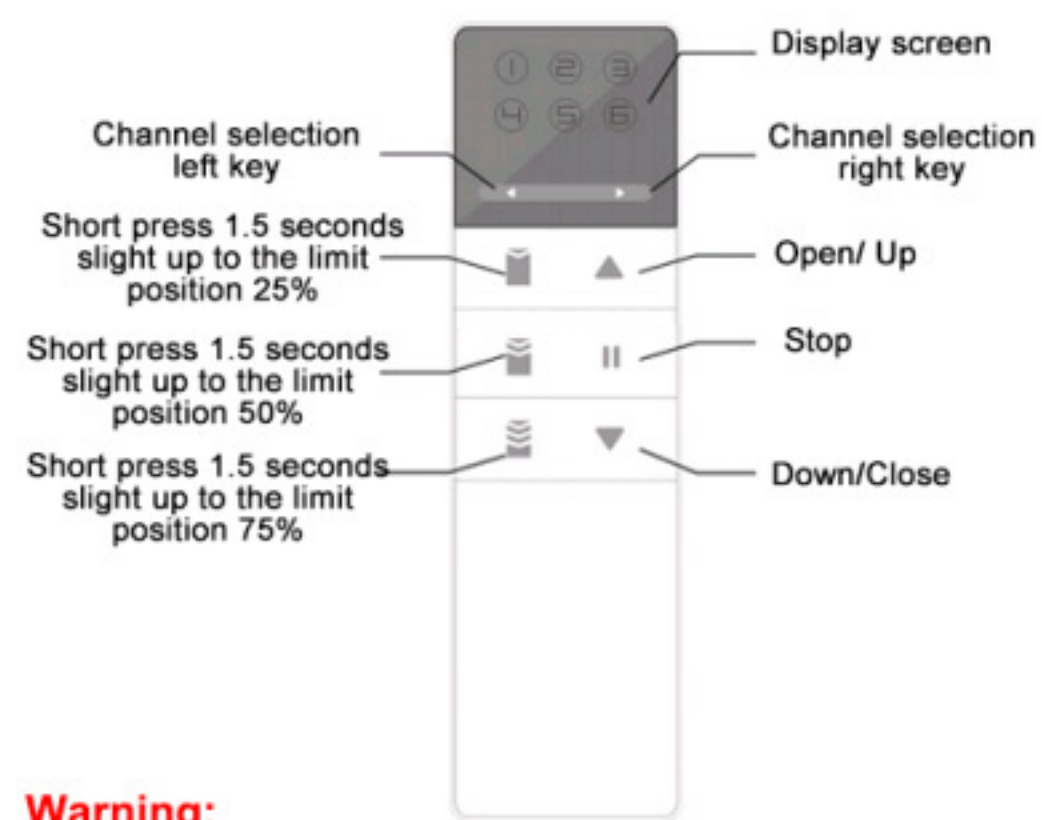




## Intelligent Remote Control Electric Curtain



### Warning:

If you want to change the position of upper limit, the bottom rail can't through the top in the set up process. If not, it will damage the two end's bracket of motor.

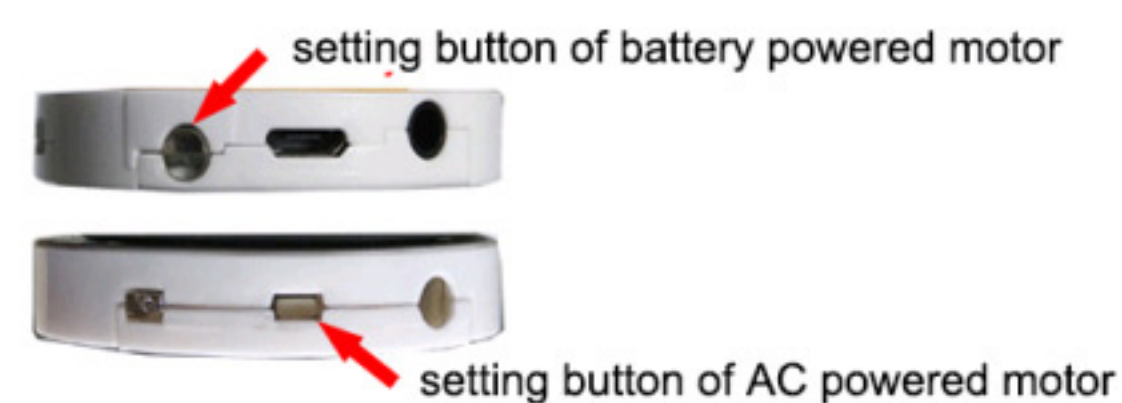
- (1) If you want all roller blinds can work together by one remote control, you can set a same channel for all. For example: To set channel 1 for all.
- (2) If you want all roller blinds can work separately by one remote control too, you can add different channels for different roller blinds.
- (3) The light is red when battery powered motor is charging, the light will be off after finishing charging.

## Product specification

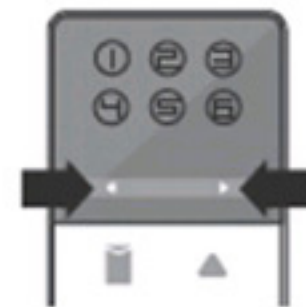
Product model	YR2188B
Transmission frequency	433.92MHz±75KHz
Modulation method	ASK
Battery	CR2032 ×1 PCS

## Remote control channels setting

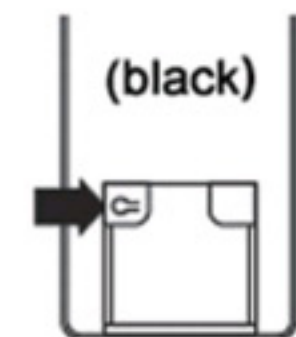
1. Press [setting] button of motor 3 seconds till the indicator light on.



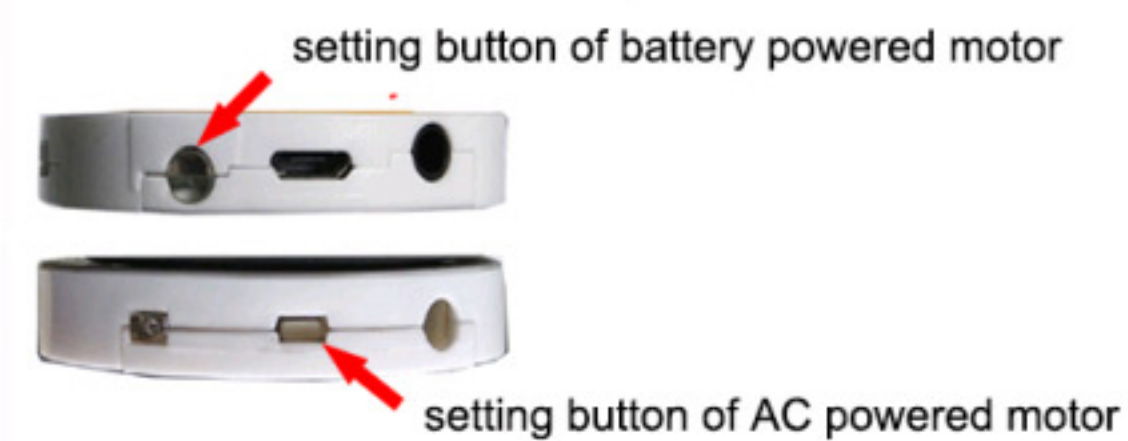
2. Choose channel  
Press [channel choose] button to choose the needed channel



3. Send the needed channel to the motor  
Press the [channel setting] button at the back of remote control till the indicator light of motor sparkles.

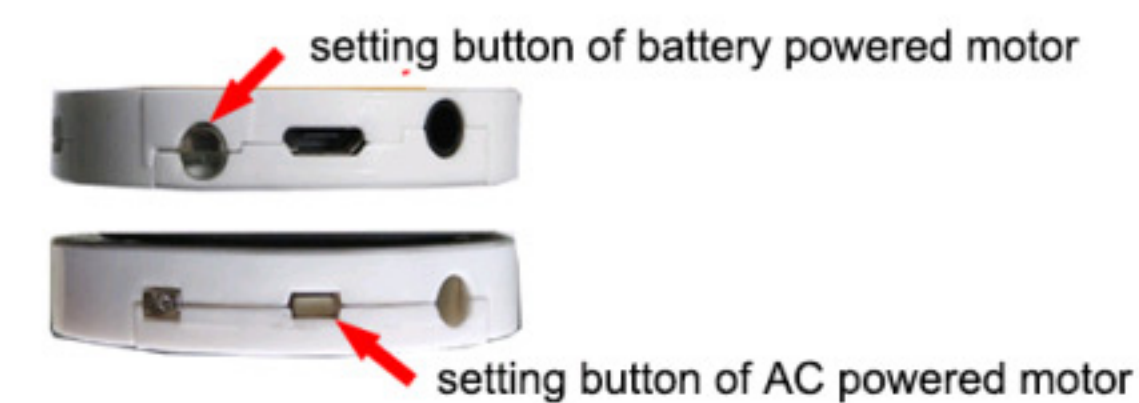


4. Confirmation  
Press [setting] button of motor to confirm the channel. The remote channel is set up.



## Delete remote control's channel

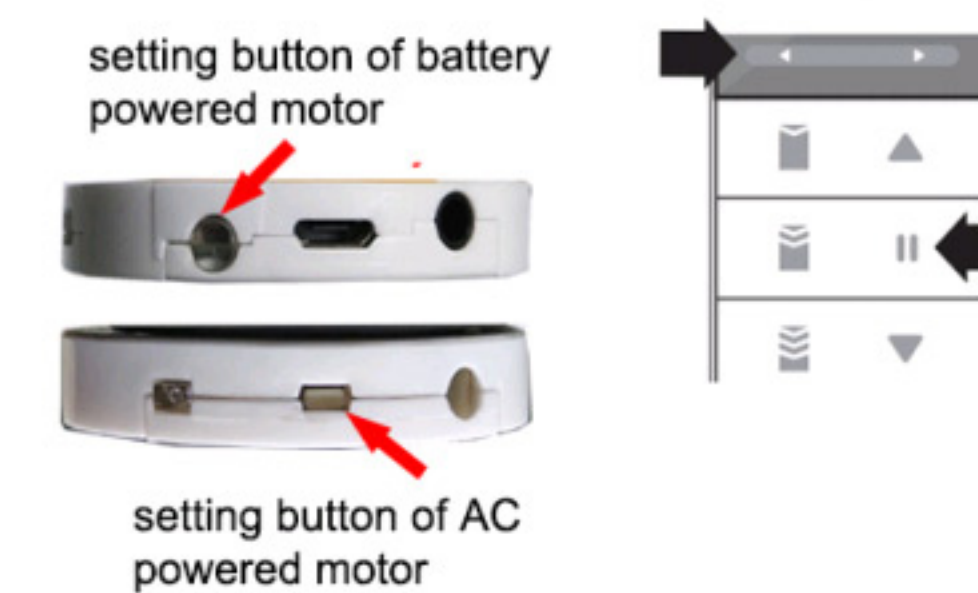
1. Press [setting] button of motor 3 seconds till the indicator light on.
2. Release the hand, then press [setting] button of motor again for 7 seconds till the indicator light off. Channel deleting is completed.



## Change direction

Confirm the direction, up is open and down is close. If the direction is correct, it doesn't need to operate setting of change direction.

1. Press [Setting] button of motor for 3 seconds till the motor quivers, then enters into setting status.
2. Press [Channel selection] +[stop], the motor will quiver after receiving the signal.
3. Press [Setting] button of motor again to confirm the operation. The the direction is changed.



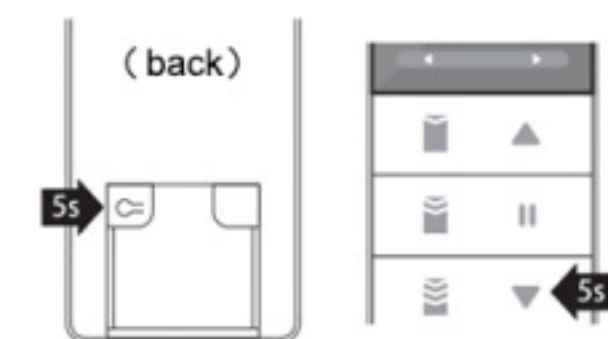
## Set upper limit

1. Press [Channel setting] +[Up] key for 5 seconds till the motor quiver (red light on), then enter into upper limit setting status.
2. Press [Up], [slight up] or [slight down] key to make the curtain moving upwards, and stop at the needed upper limit position.
3. Press [Channel setting] button of the back of remote control for 5 seconds, till the motor quivers (red light on), then upper limit setting is finished.



## Set lower limit

1. Press [Channel setting] +[Down] key for 5 seconds till the motor quiver (red light on), then enters into upper limit setting status.
2. Press [Down], [slight down] or [slight up] key to make the curtain moving downwards, and stop at the needed lower limit position.
3. Press [Channel setting] button of the back of remote control for 5 seconds, till the motor quivers (red light on), then upper limit setting is finished.



## Delete the limits setting

1. Press [Channel setting] +[Stop] Key for 5 seconds till the motor quivers (red light off), then the set limits are deleted.

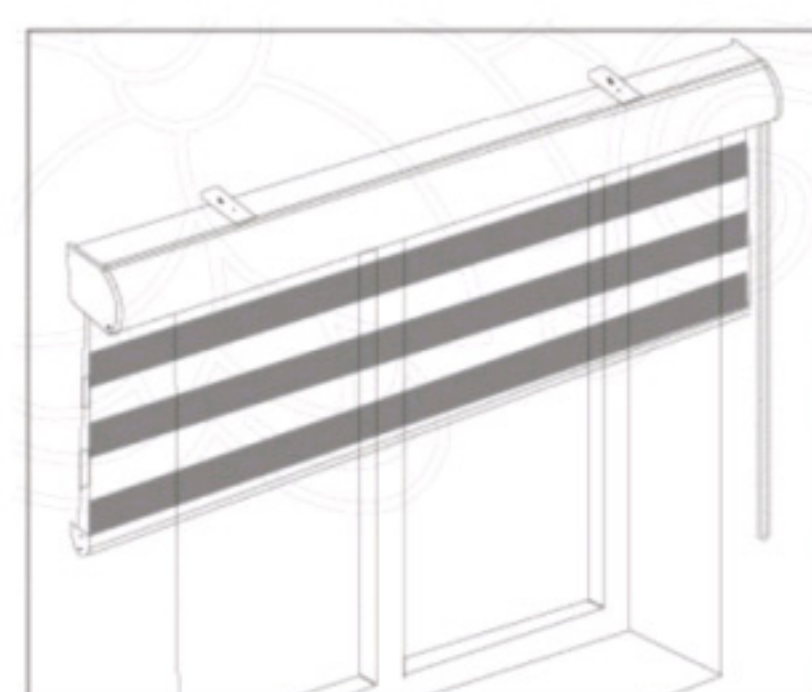
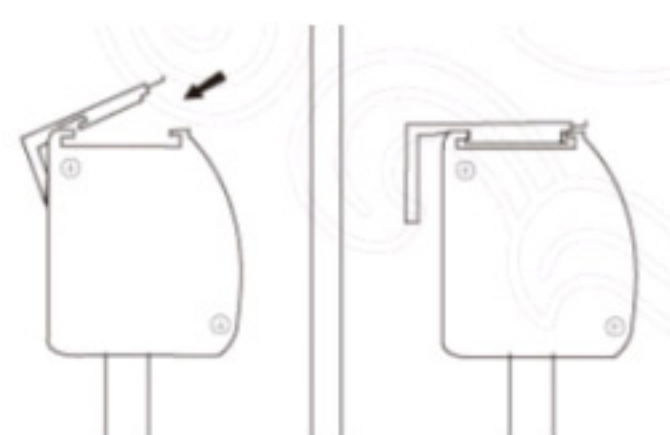


## Install cover cap of roller blind

1. Bracket for wall and top mounting  
2 pcs bracket per meter.



2. Two end near the bracket 5cm



## Install without cover cap of roller blind



Measure and mark



Drill hole



Install screws



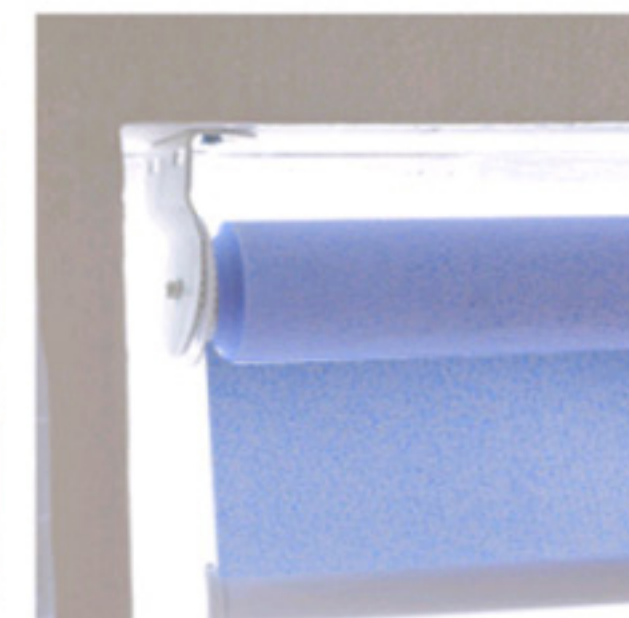
Install screws and bracket



Put the head into bracket



Put the end into bracket





**FCC Caution:**

This device complies with part 15 of the FCC Rules. Operation is subject to the following two conditions: (1) This device may not cause harmful interference, and (2) this device must accept any interference received, including interference that may cause undesired operation.

Any Changes or modifications not expressly approved by the party responsible for compliance could void the user's authority to operate the equipment.

**Note:** This equipment has been tested and found to comply with the limits for a Class B digital device, pursuant to part 15 of the FCC Rules. These limits are designed to provide reasonable protection against harmful interference in a residential installation. This equipment generates uses and can radiate radio frequency energy and, if not installed and used in accordance with the instructions, may cause harmful interference to radio communications. However, there is no guarantee that interference will not occur in a particular installation. If this equipment does cause harmful interference to radio or television reception, which can be determined by turning the equipment off and on, the user is encouraged to try to correct the interference by one or more of the following measures:

- Reorient or relocate the receiving antenna.
- Increase the separation between the equipment and receiver.
- Connect the equipment into an outlet on a circuit different from that to which the receiver is connected.
- Consult the dealer or an experienced radio/TV technician for help.

The device has been evaluated to meet general RF exposure requirement. The device can be used in portable exposure condition without restriction.