



FCC TEST REPORT

FCC ID: 2A45D-JR-W020

On Behalf of

shenzhenshixiaozhandianzishangwuyouxiangongsi

Magnetic Wireless Power Bank

Model No.: JR-W020

Prepared for : shenzhenshixiaozhandianzishangwuyouxiangongsi
Address : CN, 518000, Guangdong, Shenzhen, Futian District, North of World
Trade Plaza, Funan Community, Futian Street,, Fourth Floor, C21

Prepared By : Shenzhen Alpha Product Testing Co., Ltd.
Address : Building i, No.2, Lixin Road, Fuyong Street, Bao'an District,
518103, Shenzhen, Guangdong, China

Report Number : A2202132-C01-R02
Date of Receipt : February 28, 2022
Date of Test : February 28, 2022–March 21, 2022
Date of Report : March 21, 2022
Version Number : V0

TABLE OF CONTENTS

1. Test Result Summary	5
2. EUT Description.....	6
2.1. Description of Device (EUT).....	6
2.2. Accessories of Device (EUT)	8
2.3. Tested Supporting System Details	8
2.4. Block Diagram of Connection between EUT and Simulators	8
2.5. Description of Test Modes	8
2.6. Test Conditions	8
2.7. Test Facility.....	9
2.8. Measurement Uncertainty	9
3. Test Results and Measurement Data	10
3.1. RF Exposure Test.....	10
4. Photos of test setup	19
5. Photographs of EUT	21

TEST REPORT DECLARATION

Applicant : shenzhenshixiaozhandianzishangwuyouxiangongsi
 Address : CN, 518000, Guangdong, Shenzhen, Futian District, North of World Trade Plaza, Funan Community, Futian Street,, Fourth Floor, C21
 Manufacturer : shenzhenshixiaozhandianzishangwuyouxiangongsi
 Address : CN, 518000, Guangdong, Shenzhen, Futian District, North of World Trade Plaza, Funan Community, Futian Street,, Fourth Floor, C21
 EUT Description : Magnetic Wireless Power Bank
 (A) Model No. : JR-W020
 (B) Trademark : **FLYLEAD**

Measurement Standard Used:

FCC CFR Title 47 Part 15 Subpart C

FCC KDB 680106 D01 RF Exposure Wireless Charging Apps v03r01

The device described above is tested by Shenzhen Alpha Product Testing Co., Ltd. to determine the maximum emission levels emanating from the device and the severe levels of the device can endure and its performance criterion. The test results are contained in this test report and Shenzhen Alpha Product Testing Co., Ltd. is assumed full responsibility for the accuracy and completeness test. Also, this report shows that the EUT is technically compliant with the KDB 680106 D01 requirements.

This report applies to above tested sample only. This report shall not be reproduced in parts without written approval of Shenzhen Alpha Product Testing Co., Ltd.

Tested by (name + signature).....: Yannis Wen
 Project Engineer 

Approved by (name + signature).....: Simple Guan
 Project Manager 

Date of issue..... : March 21, 2022

Revision History

Revision	Issue Date	Revisions	Revised By
V0	March 21, 2022	Initial released Issue	Yannis Wen

1. Test Result Summary

Requirement	CFR 47 Section	Result
RF EXPOSURE	§1.1307(b)(1) & KDB680106	PASS

Note:

1. *PASS: Test item meets the requirement.*
2. *Fail: Test item does not meet the requirement.*
3. *N/A: Test case does not apply to the test object.*
4. *The test result judgment is decided by the limit of test standard.*

2. EUT Description

2.1. Description of Device (EUT)

EUT Name	:	Magnetic Wireless Power Bank
Model No.	:	JR-W020
DIFF.	:	N/A
Trademark	:	FLYLEAD
Power supply	:	DC 5V from adapter, DC 3.7V from battery
EUT information	:	Wireless output: 7.5W, 10W, 15W(Max) Type-C input: 5V =2.4A, 9V =2A Type-C output: 5V =2.4A, 9V =2.22A
Operation frequency	:	120~205KHz
Modulation	:	MSK
Antenna Type	:	Coil Antenna, Maximum Gain is 0dBi (This value is supplied by applicant).
Software version	:	V1.0
Hardware version	:	V1.0
Intend use environment	:	Residential, commercial and light industrial environment

The EUT does comply with section 5 b) of KDB 680106 D01 RF Exposure Wireless charging App V03r01.

Conditions requirement	Answers
Power transfer frequency is less than 1 MHz.	After measuring the product the transfer frequency is 0.125-0.205MHz
Output power from each primary coil is less than or equal to 15 watts.	After measuring the product the each primary coil power is 15 watts
The system may consist of more than one source primary coils, charging one or more clients. If more than one primary coil is present, the coil pairs may be powered on at the same time.	The transfer system include signal primary.
Client device is placed directly in contact with the transmitter.	Client device is placed directly in contact with the transmitter.
Mobile exposure conditions only (portable exposure conditions are not covered by this exclusion).	Mobile exposure conditions only.
The aggregate H-field strengths at 15 cm surrounding the device and 20 cm above the top surface from all simultaneous transmitting coils are demonstrated to be less than 50% of the MPE limit.	After measuring the product the Max H-field Strength is 0.807A/m Far less than 50% of the MPE limit.

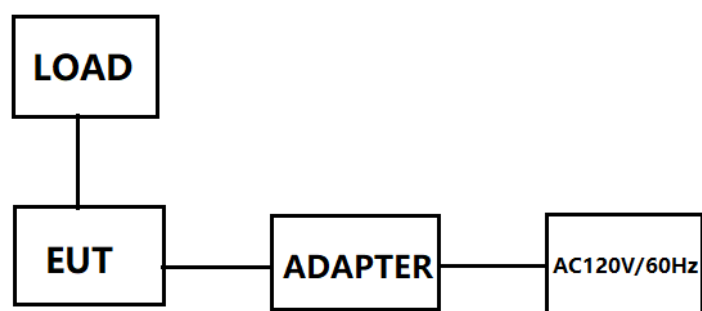
2.2. Accessories of Device (EUT)

Accessories1 : Cable
 Manufacturer : /
 Model : /
 Ratings : /

2.3. Tested Supporting System Details

No.	Description	Manufacturer	Model	Serial Number	Certification
1	smart phone	Xiaomi Corporation	Mi 10	--	--

2.4. Block Diagram of Connection between EUT and Simulators



2.5. Description of Test Modes

Channel	Frequency (KHz)
1	136

2.6. Test Conditions

Items	Required	Actual
Temperature range:	15-35°C	24°C
Humidity range:	25-75%	56%
Pressure range:	86-106kPa	98kPa

2.7. Test Facility

Shenzhen Alpha Product Testing Co., Ltd

Building i, No.2, Lixin Road, Fuyong Street, Bao'an District, 518103, Shenzhen, Guangdong, China

June 21, 2018 File on Federal Communication Commission

Registration Number: 293961

July 15, 2019 Certificated by IC

Registration Number: CN0085

2.8. Measurement Uncertainty

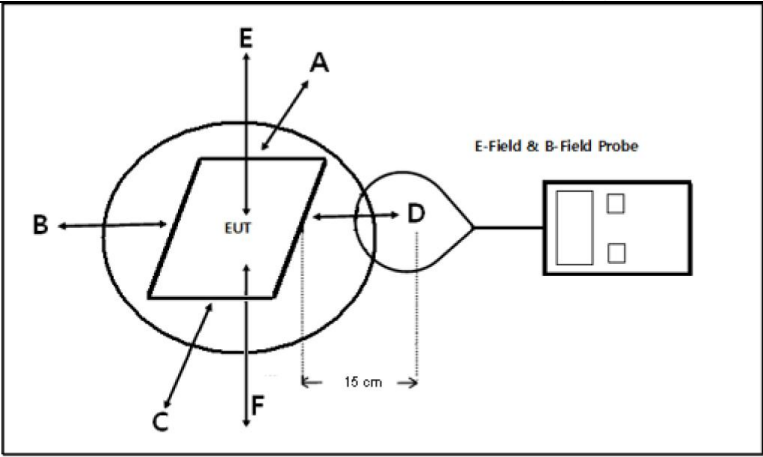
(95% confidence levels, $k=2$)

Item	Uncertainty
Uncertainty for H-Field	2.39dB
Uncertainty for E-Field	2.45dB
Uncertainty for conducted RF Power	0.65dB
Uncertainty for temperature	0.2°C
Uncertainty for humidity	1%
Uncertainty for DC and low frequency voltages	0.06%

3. Test Results and Measurement Data

3.1. RF Exposure Test

3.1.1. Test Specification

Test Requirement:	FCC Rules and Regulations KDB680106
Test Method:	§1.1307(b)(1) & KDB680106
Limits:	According to §1.1307(b)(1), systems operating under the provisions of this section shall be operated in a manner that ensures that the public is not exposed to radio frequency energy level in excess of the Commission's guidelines. According to §1.1310 and §2.1093 RF exposure is calculated. According KDB680106 D01v03r01: RF Exposure Wireless Charging.
Test Setup:	
Test Mode:	Wireless charging load has been charge at no load, middle load and full load. All test modes were pre-tested, but we only recorded the worse case in this report.
Test Procedure:	<ol style="list-style-type: none"> 1. The RF exposure test was performed in shielded chamber 2. The measurement probe was placed at test distance(15cm) which is between the edge of the charger and the geometric centre of probe. 3. The measurement probe used to search of highest strength. 4. The highest emission level was recorded and compared with limit as soon as measurement of each points (A,B,C,D,E,F) were completed. 5. The EUT were measured according to the dictates of KDB 680106 DR03-44118.
Test Result:	PASS

3.1.2. Test Instruments

Item	Equipment	Manufacturer	Model No.	Serial No.	Last Cal.	Cal. Interval
1	Exposure Level Tester	narda	ELT-400	N-0231	2021.08.31	1 Year
2	Magnetic field probe 100cm ²	narda	ELT probe 100cm ²	M0675	2021.08.31	1 Year
3	Isotropic Electric Field Probe	narda	EP-601	511WX60706	2021.08.31	1 Year

3.1.3. Test data

For Full load mode:

H-Filed Strength

Operation frequency	Test Distance (cm)	Test Position	Probe Measure Result (A/m)	50% Limit (A/m)
120K-205K	0	A	0.495	0.815
		B	0.419	0.815
		C	0.493	0.815
		D	0.493	0.815
		E	0.422	0.815
		F	0.462	0.815

Operation frequency	Test Distance (cm)	Test Position	Probe Measure Result(A/m)			50% Limit (A/m)
			10% Charge	50% Charge	90% Charge	
120K-205K	0	A	0.485	0.476	0.478	0.815
		B	0.400	0.401	0.404	0.815
		C	0.475	0.482	0.479	0.815
		D	0.475	0.473	0.480	0.815
		E	0.412	0.405	0.409	0.815
		F	0.442	0.452	0.448	0.815

Operation frequency	Test Distance (cm)	Test Position	Probe Measure Result (A/m)	50% Limit (A/m)
120K-205K	2	A	0.532	0.815
		B	0.574	0.815
		C	0.473	0.815
		D	0.485	0.815
		E	0.399	0.815
		F	0.565	0.815

Operation frequency	Test Distance (cm)	Test Position	Probe Measure Result(A/m)			50% Limit (A/m)
			10% Charge	50% Charge	90% Charge	
120K-205K	2	A	0.492	0.488	0.483	0.815
		B	0.504	0.490	0.475	0.815
		C	0.480	0.479	0.491	0.815
		D	0.504	0.484	0.487	0.815
		E	0.482	0.498	0.503	0.815
		F	0.490	0.490	0.486	0.815

Operation frequency	Test Distance (cm)	Test Position	Probe Measure Result (A/m)	50% Limit (A/m)
120K-205K	4	A	0.528	0.815
		B	0.588	0.815
		C	0.376	0.815
		D	0.435	0.815
		E	0.450	0.815
		F	0.555	0.815

Operation frequency	Test Distance (cm)	Test Position	Probe Measure Result(A/m)			50% Limit (A/m)
			10% Charge	50% Charge	90% Charge	
120K-205K	4	A	0.476	0.485	0.480	0.815
		B	0.488	0.497	0.483	0.815
		C	0.486	0.474	0.473	0.815
		D	0.486	0.490	0.485	0.815
		E	0.464	0.479	0.496	0.815
		F	0.474	0.499	0.477	0.815

Operation frequency	Test Distance (cm)	Test Position	Probe Measure Result (A/m)	50% Limit (A/m)
120K-205K	6	A	0.440	0.815
		B	0.495	0.815
		C	0.484	0.815
		D	0.405	0.815
		E	0.474	0.815
		F	0.402	0.815

Operation frequency	Test Distance (cm)	Test Position	Probe Measure Result(A/m)			50% Limit (A/m)
			10% Charge	50% Charge	90% Charge	
120K-205K	6	A	0.471	0.484	0.486	0.815
		B	0.470	0.504	0.477	0.815
		C	0.468	0.467	0.459	0.815
		D	0.476	0.493	0.477	0.815
		E	0.446	0.475	0.478	0.815
		F	0.454	0.495	0.476	0.815

Operation frequency	Test Distance (cm)	Test Position	Probe Measure Result (A/m)	50% Limit (A/m)
120K-205K	8	A	0.491	0.815
		B	0.410	0.815
		C	0.501	0.815
		D	0.509	0.815
		E	0.505	0.815
		F	0.485	0.815

Operation frequency	Test Distance (cm)	Test Position	Probe Measure Result(A/m)			50% Limit (A/m)
			10% Charge	50% Charge	90% Charge	
120K-205K	8	A	0.472	0.490	0.465	0.815
		B	0.489	0.480	0.478	0.815
		C	0.478	0.480	0.454	0.815
		D	0.473	0.471	0.495	0.815
		E	0.462	0.475	0.498	0.815
		F	0.464	0.508	0.471	0.815

Operation frequency	Test Distance (cm)	Test Position	Probe Measure Result (A/m)	50% Limit (A/m)
120K-205K	10	A	0.515	0.815
		B	0.429	0.815
		C	0.461	0.815
		D	0.501	0.815
		E	0.485	0.815
		F	0.428	0.815

Operation frequency	Test Distance (cm)	Test Position	Probe Measure Result(A/m)			50% Limit (A/m)
			10% Charge	50% Charge	90% Charge	
120K-205K	10	A	0.463	0.467	0.477	0.815
		B	0.489	0.489	0.485	0.815
		C	0.469	0.473	0.469	0.815
		D	0.481	0.485	0.482	0.815
		E	0.452	0.489	0.478	0.815
		F	0.471	0.508	0.468	0.815

Operation frequency	Test Distance (cm)	Test Position	Probe Measure Result (A/m)	50% Limit (A/m)
120K-205K	15	A	0.586	0.815
		B	0.516	0.815
		C	0.523	0.815
		D	0.566	0.815
		E	0.547	0.815
		F	0.543	0.815

Operation frequency	Test Distance (cm)	Test Position	Probe Measure Result(A/m)			50% Limit (A/m)
			10% Charge	50% Charge	90% Charge	
120K-205K	15	A	0.528	0.508	0.522	0.815
		B	0.510	0.510	0.529	0.815
		C	0.522	0.516	0.509	0.815
		D	0.512	0.515	0.525	0.815
		E	0.503	0.522	0.512	0.815
		F	0.502	0.525	0.525	0.815

For No load mode:
H-Filed Strength

Operation frequency	Test Distance (cm)	Test Position	Probe Measure Result (A/m)	50% Limit (A/m)
120K-205K	0	A	0.713	0.815
		B	0.692	0.815
		C	0.632	0.815
		D	0.638	0.815
		E	0.620	0.815
		F	0.647	0.815

Operation frequency	Test Distance (cm)	Test Position	Probe Measure Result(A/m)			50% Limit (A/m)
			10% Charge	50% Charge	90% Charge	
120K-205K	0	A	0.685	0.703	0.709	0.815
		B	0.710	0.682	0.687	0.815
		C	0.684	0.696	0.709	0.815
		D	0.710	0.703	0.710	0.815
		E	0.702	0.686	0.693	0.815
		F	0.704	0.683	0.689	0.815

Operation frequency	Test Distance (cm)	Test Position	Probe Measure Result (A/m)	50% Limit (A/m)
120K-205K	2	A	0.619	0.815
		B	0.654	0.815
		C	0.700	0.815
		D	0.664	0.815
		E	0.661	0.815
		F	0.696	0.815

Operation frequency	Test Distance (cm)	Test Position	Probe Measure Result(A/m)			50% Limit (A/m)
			10% Charge	50% Charge	90% Charge	
120K-205K	2	A	0.683	0.683	0.684	0.815
		B	0.692	0.698	0.707	0.815
		C	0.708	0.683	0.689	0.815
		D	0.686	0.704	0.689	0.815
		E	0.700	0.706	0.688	0.815
		F	0.709	0.694	0.710	0.815

Operation frequency	Test Distance (cm)	Test Position	Probe Measure Result (A/m)	50% Limit (A/m)
120K-205K	4	A	0.697	0.815
		B	0.647	0.815
		C	0.672	0.815
		D	0.629	0.815
		E	0.712	0.815
		F	0.604	0.815

Operation frequency	Test Distance (cm)	Test Position	Probe Measure Result(A/m)			50% Limit (A/m)
			10% Charge	50% Charge	90% Charge	
120K-205K	4	A	0.700	0.699	0.706	0.815
		B	0.697	0.680	0.696	0.815
		C	0.685	0.691	0.705	0.815
		D	0.704	0.695	0.695	0.815
		E	0.697	0.698	0.691	0.815
		F	0.698	0.690	0.689	0.815

Operation frequency	Test Distance (cm)	Test Position	Probe Measure Result (A/m)	50% Limit (A/m)
120K-205K	6	A	0.642	0.815
		B	0.704	0.815
		C	0.615	0.815
		D	0.620	0.815
		E	0.613	0.815
		F	0.693	0.815

Operation frequency	Test Distance (cm)	Test Position	Probe Measure Result(A/m)			50% Limit (A/m)
			10% Charge	50% Charge	90% Charge	
120K-205K	6	A	0.693	0.694	0.707	0.815
		B	0.691	0.683	0.698	0.815
		C	0.680	0.698	0.703	0.815
		D	0.681	0.683	0.704	0.815
		E	0.709	0.693	0.694	0.815
		F	0.689	0.681	0.691	0.815

Operation frequency	Test Distance (cm)	Test Position	Probe Measure Result (A/m)	50% Limit (A/m)
120K-205K	8	A	0.623	0.815
		B	0.621	0.815
		C	0.673	0.815
		D	0.605	0.815
		E	0.625	0.815
		F	0.684	0.815

Operation frequency	Test Distance (cm)	Test Position	Probe Measure Result(A/m)			50% Limit (A/m)
			10% Charge	50% Charge	90% Charge	
120K-205K	8	A	0.691	0.704	0.707	0.815
		B	0.682	0.695	0.682	0.815
		C	0.707	0.703	0.701	0.815
		D	0.680	0.710	0.706	0.815
		E	0.693	0.696	0.682	0.815
		F	0.708	0.701	0.684	0.815

Operation frequency	Test Distance (cm)	Test Position	Probe Measure Result (A/m)	50% Limit (A/m)
120K-205K	10	A	0.690	0.815
		B	0.707	0.815
		C	0.697	0.815
		D	0.709	0.815
		E	0.682	0.815
		F	0.652	0.815

Operation frequency	Test Distance (cm)	Test Position	Probe Measure Result(A/m)			50% Limit (A/m)
			10% Charge	50% Charge	90% Charge	
120K-205K	10	A	0.695	0.693	0.689	0.815
		B	0.693	0.688	0.699	0.815
		C	0.708	0.683	0.702	0.815
		D	0.687	0.704	0.703	0.815
		E	0.693	0.703	0.706	0.815
		F	0.681	0.689	0.686	0.815

Operation frequency	Test Distance (cm)	Test Position	Probe Measure Result (A/m)	50% Limit (A/m)
120K-205K	15	A	0.677	0.815
		B	0.632	0.815
		C	0.661	0.815
		D	0.634	0.815
		E	0.661	0.815
		F	0.630	0.815

Operation frequency	Test Distance (cm)	Test Position	Probe Measure Result(A/m)			50% Limit (A/m)
			10% Charge	50% Charge	90% Charge	
120K-205K	15	A	0.607	0.583	0.580	0.815
		B	0.594	0.602	0.583	0.815
		C	0.603	0.592	0.580	0.815
		D	0.604	0.599	0.586	0.815
		E	0.608	0.584	0.599	0.815
		F	0.595	0.601	0.606	0.815

4. Photos of test setup

For Full load mode



0cm A Position

For No load mode



0cm A Position

For Full load mode



15cm A Position

For No load mode



15cm A Position

5. Photographs of EUT

Refer to test report A2202132-C01-R01.

-----End of Report-----