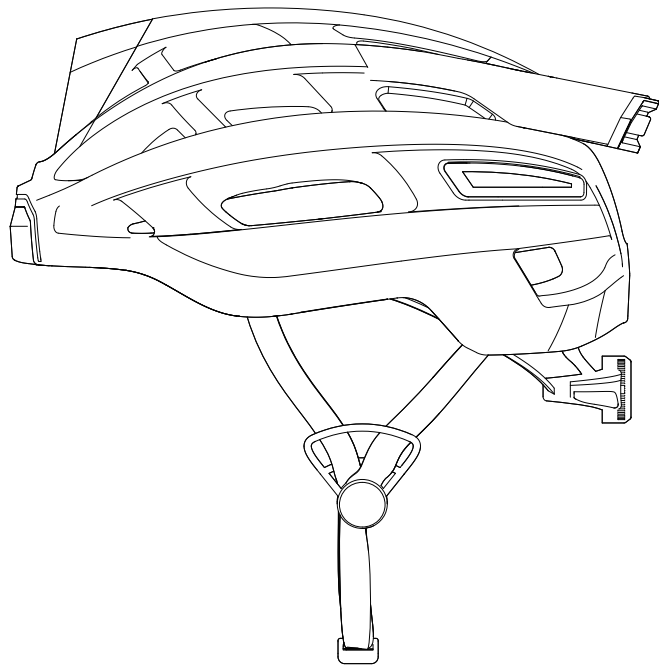


GF-H1Pro Smart Helmet Quick Start Guide

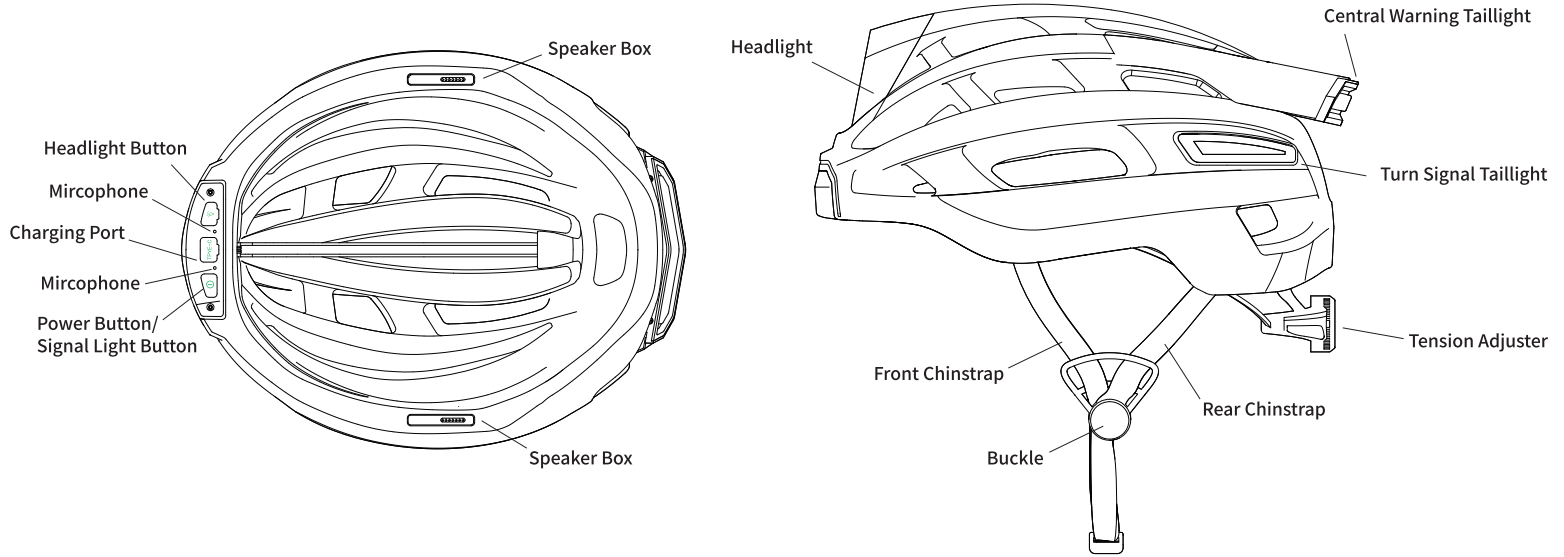
GF-H1Pro 智能骑行头盔 快速入门指南



En

中

I. Introduction



Note: This diagram is for reference only. If the actual product appears different from the diagram, the real product shall prevail.

II. Packing List

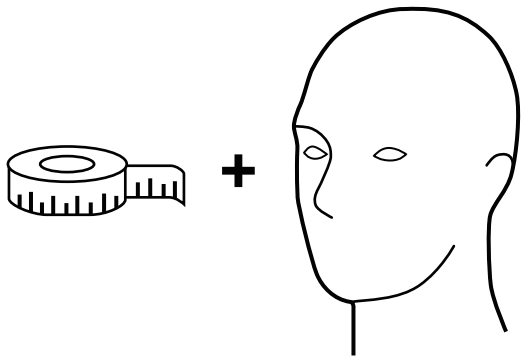
Helmet x 1

Remote Controller x 1

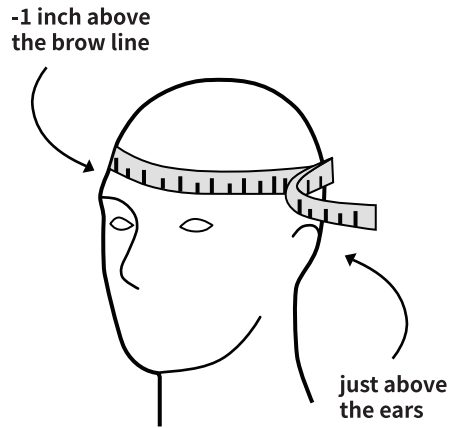
Quick Start Guide x 1

Type-C USB Charging Cable x 1

III. Wearing Instructions



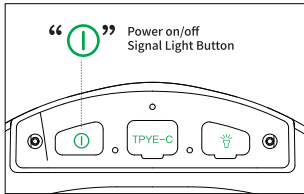
You'll need a measuring tape and your head.



Measure around your head (in centimeters) taking the measuring tape just above the ears and about an inch above the brow line.

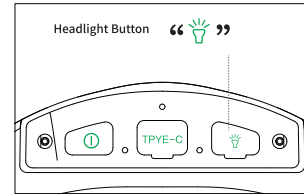
IV. Operating Instructions(Please charge before use)

1. Instructions of Buttons



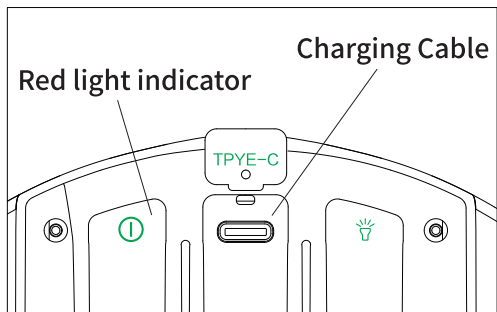
Note: This button got 8 functions, please read below instructions carefully before use.

1. Hold press this button for 3-5 seconds, turn on the helmet. You will hear a voice saying "Ready for Connection" and LED Taillight will flash, meaning the boot is successful.
2. Hold press this button for 3-5 seconds, turn off the helmet. You will hear a voice saying "Goodbye", meaning the shutdown is successful.
3. Single press this button to play/pause music and answer/end incoming calls.
4. Quickly press twice this button, Central Taillight flashing mode.
5. Quickly press twice this button again, change to L&R Taillight Double-Flash mode.
6. Quickly press twice this button again, change to Central Taillight and Lateral Taillights alternate flashing mode.
7. Quickly press twice this button again, turn off the Taillights.
8. **Quick press this button 5 times to reset.**



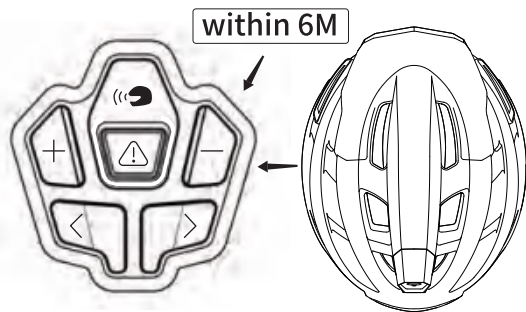
1. Single press this button, turn on the headlight, 100%Lm.
2. Press again, turn off the headlight.
3. Press again, change the Lm or flash mode.



2. Charging




Open the soft rubber lid with “Type-C”, USB charging cable will be seen. Insert a USB cable into it. Charging starts when red light indicator appeared and charging completed when red light indicator disappeared(charge no less than 3hrs.).

3. Connect to the Remote Controller



Hold press this button  on remote controller, the green light will be on, meaning it is turned on. And then quickly press this button  5 times to reset the remote controller and it will be connected with Helmet Automatically and will hear a voice saying “Remote connected” from the helmet after connected successfully.

Tips:

1. To ensure the connection signal stability, please try not to place your mobile phone right against your body.
2. To connect remote controller to helmet first and then connect helmet to your smartphone via bluetooth, click the play button  on remote control to activate the smartphone's voice assistant service.

4. Connect to Helmet Bluetooth Player

(Tip: Once connected, it can control the music player as well as make or receive a call. To ensure the stability of the connection, please try to position your smart phone in front of you).

When helmet is powered on, you will hear a voice saying “ready for connection”. Remote controller will connect to the helmet automatically once powered on. And will hear a voice saying “remote connected” after connected successfully. Open your smart phone’s bluetooth, find lizvie helmet and pair it. Will hear a voice saying “bluetooth connected” after connected successfully.

5. Functions

Functions	
Bluetooth Player	LED Taillights(L.C.R)
Noise Reduction System	Auto on/off
Remote Control	One-Click Answer
LED Headlight	

V. Instructions for Use and Care

1. Please choose the size which feels secure, comfortable and fits well on the head.
2. Please adjust the straps position to be firm and comfortable.
3. A helmet cannot always protect against injury but can decrease risk of it only.
4. Please discard or destroy the helmet if subjected to a severe impact.
5. Clean only with mild soap and water, solvents may damage the helmet. Take good care of it, don't strike the helmet.
6. Please don't modify or remove any of the original component parts of the helmet.
7. Normally, valid for 3 years without impact.

VI. Attentions

1. The helmet contains electronic parts inside. Please do not take a long ride in the rain although the helmet can prevent the rain from splashing.
2. After the helmet gets wet in the rain, the water droplet might occur in the chimney of LED Taillights. The water droplets will disappear when you put the helmet under the ventilation environment for 1-2 days.
3. The helmet contains the battery. The battery capacity varies with temperature change. The battery life can decay when the helmet is used at low temperatures or below Zero degrees Celsius.
4. For the battery lifetime, please charge the helmet completely every time.

VII. Technical Specifications

Charging port: Type-C USB

Electricity parameter: DC 5V/1A

Charging time: 3-4hrs


Waterproof class: IPX5

Battery Working Time: Max 60hrs (varies depending on)

Storage Temperature: -10°C~45°C

Usage Temperature: 0°C~45°C

VIII. Electronic Functions Troubleshooting

During the usage, if any troubles occur, please press 5 times  (power button) or long press 10 seconds to reset the device. If the problems still can not be solved, please contact the after-sales service center.

FCC ID: 2A45BGF-H1PRO

FCC Caution:

This device complies with part 15 of the FCC Rules. Operation is subject to the following two conditions:

- (1) This device may not cause harmful interference, and
 - (2) this device must accept any interference received, including interference that may cause undesired operation.
- Any changes or modifications not expressly approved by the party responsible for compliance could void the user's authority to operate the equipment.

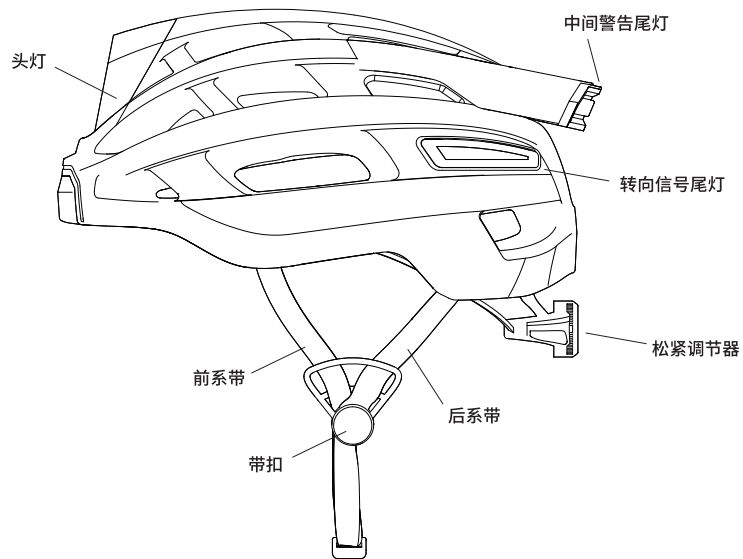
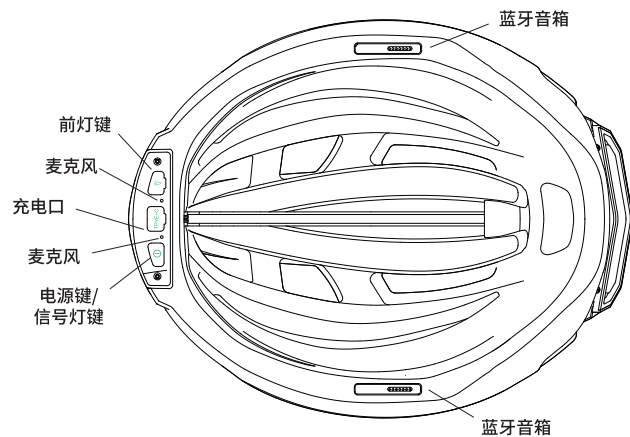
NOTE: This equipment has been tested and found to comply with the limits for a Class B digital device, pursuant to Part 15 of the FCC Rules. These limits are designed to provide reasonable protection against harmful interference in a residential installation. This equipment generates, uses and can radiate radio frequency energy and, if not installed and used in accordance with the instructions, may cause harmful interference to radio communications. However, there is no guarantee that interference will not occur in a particular installation.

If this equipment does cause harmful interference to radio or television reception, which can be determined by turning the equipment off and on, the user is encouraged to try to correct the interference by one or more of the following measures:

- Reorient or relocate the receiving antenna.
- Increase the separation between the equipment and receiver.
- Connect the equipment into an outlet on a circuit different from that to which the receiver is connected.
- Consult the dealer or an experienced radio/TV technician for help.

The device has been evaluated to meet general RF exposure requirement. The device can be used in portable exposure condition without restriction.

一. 简介



温馨提示:本图片仅供参考,如实物外形与图片不同,请以实物为准

二. 装箱清单

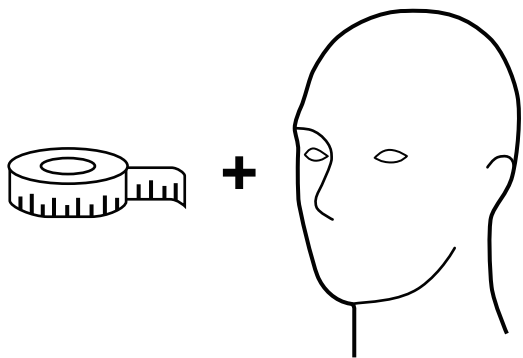
头盔:1个

手柄遥控器:1个

快速入门指南:1份

Type-C USB数据线:1条

三. 头围测量说明



用尺子量头围

在眉毛1寸之上

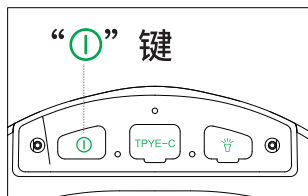


刚好好在
耳朵上方

尺子要刚好好在耳朵上方且在眉毛1寸之上

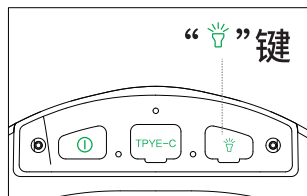
四. 操作说明(使用前请充电)

1. 按键操作说明



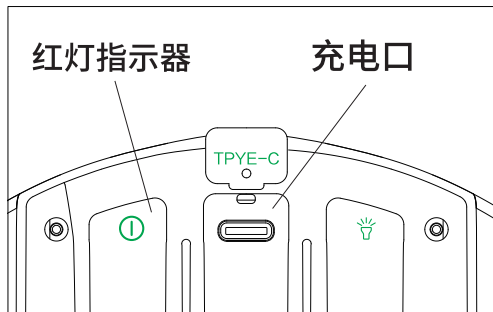
温馨提示:此按键有8种功能,使用前请仔细阅读下方操作说明。

1. 长按此按键3-5秒,开机,听到“ready for connection/配对”提示音,尾灯开始闪烁表示开机成功
2. 长按此按键3-5秒,关机,听到‘goodbye/关机’提示音,且所有指示灯熄灭,表示关机成功
3. 单击播放/暂停音乐,以及接听/挂断来电
4. 快速连按两下此按键,中间尾闪烁模式
5. 再快速连按两下此按键,切换双闪灯闪烁模式
6. 再快速连按两下此按键,切换双闪灯和中间尾灯交替闪烁模式
7. 再快速连按两下此按键,尾灯关
8. 快速连按五下此按键,重置头盔出厂值



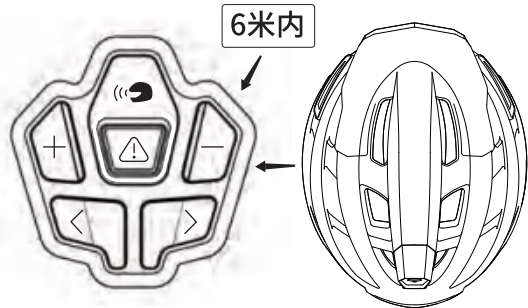
1. 按一下此键,头灯开,100%亮度
2. 再按一下此键,头灯熄灭
3. 再按一下此键,头灯切换亮度/模式

2. 充电




打开Type-C字样的软胶,即可看见USB充电接口,插入USB数据线充电,红色灯会亮,充满电后灯灭(充电不少于3小时)

3. 连接手柄遥控器



长按手柄上的此按键绿色指示灯会亮,说明手柄开启成功。然后再快速连按5下此按键去重置手柄,重置后手柄会自动连接手柄,听到头盔发出语音提示“Remote Connected”表示头盔和手柄连接成功。

温馨提示:

- 1, 为确保连接信号的稳定性, 请尽量不要将手机紧贴身体
- 2, 先连接遥控至头盔, 再将头盔连接手机蓝牙, 连接成功后, 按一下手柄对讲键 即可接听手机通话。

4. 连接头盔蓝牙音箱

(温馨提示:连接后可控制播放音乐和拨打电话,为保障连接信号的稳定性,请尽量将手机放在身体前方)

当头盔开机成功,头盔会发出“Ready for Connection”提示音。手柄遥控器开机后会自动连接头盔,连接成功会听到“Remote Connected”提示音。打开手机蓝牙,搜索“Lizvie Helmet”设备,点击连接配对。连接配对成功后,会听到“Bluetooth connected”提示音,表示手机与头盔蓝牙音箱连接成功。

5. 功能

功能	
蓝牙播放	LED 尾灯(左、中、右)
降噪系统	自动开/关机
手柄遥控	一键语音接听
LED 头灯	

五. 使用&保养说明

- 1.请选用合适自己头型的头盔。
- 2.佩戴时请调整帽带并扣紧。
- 3.正确佩戴头盔能有效降低运动伤害,但不能完全避免伤害。
- 4.头盔如果发生较大撞击应停止使用或鉴定是否可继续使用。
- 5.注意保管,头盔可用清水擦拭,切不可用酒精、汽油等有机溶剂或酸、碱等腐蚀性液体擦拭,不要撞击头盔。
- 6.不得更改头盔的结构,严禁在头盔壳体上开孔或修改内部泡沫层,以防损害其防震和抗穿透作用。
- 7.正常使用头盔安全有效期一般为3年。

六. 注意、警告

1. 头盔内含电子功能,有短时间防淋溅雨水的功能,请不要长期在下雨环境骑行。
2. 头盔淋雨后,尾部警示灯罩内可能会出现水珠,请将头盔放在通风环境下1-2天,水珠会自动消除。
3. 头盔内含电池,电池的容量会随温度变化而改变,在低温或低于0摄氏度环境使用时,产品的续航时间可能会不同程度衰减。
4. 为了维持电池的使用寿命,建议头盔每次长期(半年到一年)储存前需充满电。

七. 技术规格

充电接口:Type-C USB

电气参数:DC 5V/1A

充电时间:3-4小时


防水等级:IPX5

续航时间:最长60小时(视各种功能使用情况)

储存温度: -10°C~45°C

使用温度: 0°C~45°C

八. 电子功能故障排除

在使用过程中,如果出现功能异常,请连续按5下或长按10秒以上头盔电源键  进行重置。如果还是无法排除,请联系售后服务中心

FCC ID: 2A45BGF-H1Pro

FCC 注意事项:

本设备符合 FCC 规则第 15 部分的规定。操作须符合以下两个条件:

- (1) 本设备不得造成有害干扰;
- (2) 本设备必须接受任何接收到的干扰,包括可能导致意外操作的干扰。

任何未经合规责任方明确批准的更改或修改都可能导致用户操作设备的授权失效。

注: 本设备已经过测试,符合 FCC 规则第 15 部分规定的 B 类数字设备限制。这些限制旨在为住宅安装提供合理保护,防止有害干扰。本设备会产生、使用和辐射无线电频率能量,如果不按照说明安装和使用,可能会对无线电通信造成有害干扰。但是,不能保证在特定的安装环境中不会产生干扰。

如果本设备确实对无线电或电视接收造成有害干扰,可通过关闭和打开设备来确定,建议用户尝试采取以下一项或多项措施来消除干扰:

- 重新调整接收天线的方向或位置。
 - 增加设备和接收器之间的距离。
 - 将设备连接到不同于接收器所连接电路的插座上。
- 将设备连接到与接收器连接的电路不同的插座上。
- 请向经销商或有经验的无线电/电视技术人员寻求帮助。

经评估,该设备符合一般射频暴露要求。该设备可在便携式暴露条件下使用,不受任何限制。