

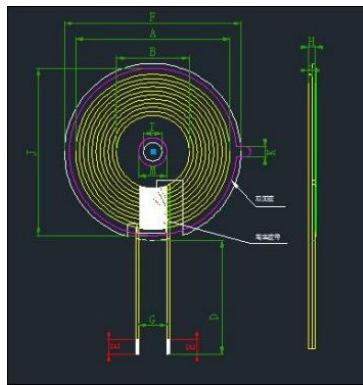
Antenna specification

1、 Antenna introduction

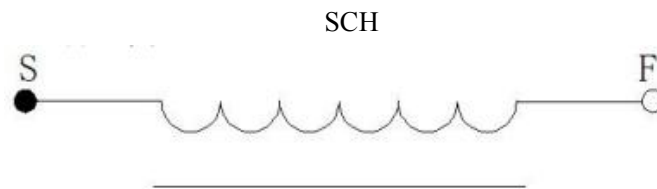
The TX antenna is directly used on the Loop Antenna.

Manufacturer: Shenzhen xlw technolog9y
Address: A436, Huafeng Internet Creative Park, No.107 Gong He Industrial Road, Xixiang, Bao'An, Shenzhen, 518102, China

2、 Antenna shape



A	41±1
B	20.5±0.5
D	18±2
E	3±1
F	43.5±0.5
G	8
H	1.4±0.1
I	5.3 ±0.5
J	42.5±1
K	3.0±1



3、 Antenna parameter

The TX antenna operates at 115kHz ~ 205kHz and generates resonance in this band. The table below shows the main parameters of the antenna.

Frequency (MHz)	115kHz ~ 205kHz
VSWR	≤ 2.0
Impedance	50 Ohm Nominal
Gain (Peak)	0dBi