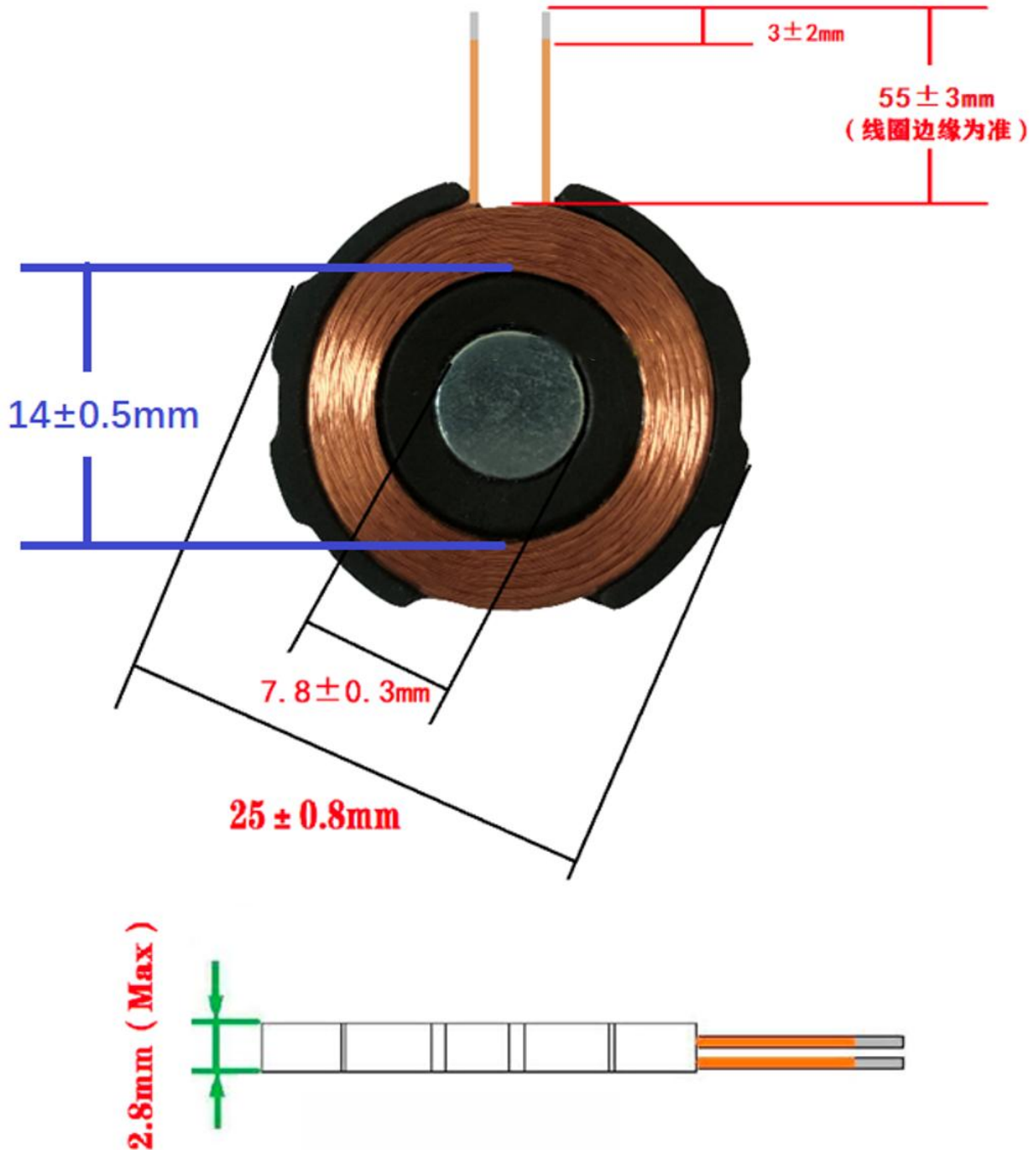


# SPECIFICATION FOR APPROVAL

Supplier: Dongguan Shijie AMEIOU electronics factory

Product Appearance & Dimensions (Unit: mm)



(Note: The pictures are for reference only, and the product is subject to the actual product.)

Product Electrical characteristics

Parameter:	Value
------------	-------

Product name:	Wireless charging coil module
Product number:	Soft Magnetic for apple watch -8mm, 8uh
Inductance:	8.0uh $\pm$ 10%
Coil type:	Multi strand enameled wire 0.08*24P
Coil Turns:	14TS
Q Value:	15 (Min)
Testing Instrument:	TH2816B @100kHz、1Vrms; TH2512B At 25°C
Note:	Stick single-sided 3M double-sided tape, magnet 7.7*3N52 Gaussian 3800以上