

Austar Hearing Science and Technology (Xiamen) Co., Ltd.
Add: B8, Biomedical Industrial Park, NO.2064 Wengjiao West Road, Haicang Dist., Xiamen, China
Tel: 18650110816 Fax: +86-0592-5970067
Email: yangyiqun@austar-hearing.com

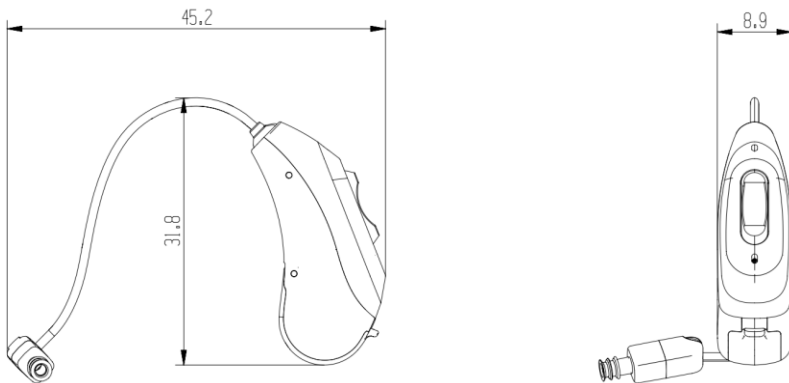
To
FEDERAL COMMUNICATIONS COMMISSION
Authorization and Evaluation Division
7435 Oakland Mills Road
Columbia, MD 21046

Dear Sir/Madam,

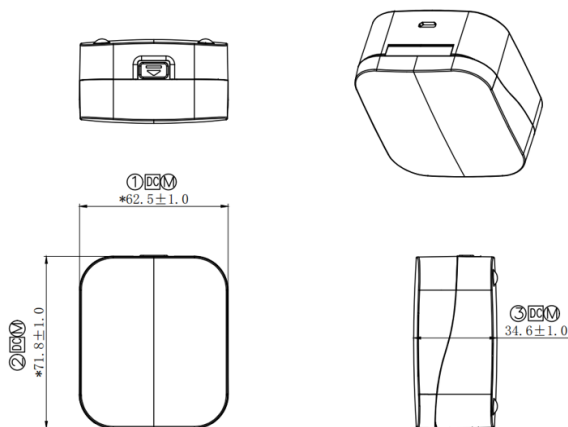
We, Austar Hearing Science and Technology (Xiamen) Co., Ltd., hereby submits justification for placing the FCC ID label to the charging box. According to the FCC Regulation and Guidance (KDB Publication 784748 D01 v09R01) allows for the FCC to be removed to charging box if the device is unquestionably too small for the FCC ID label to be printed.

The measurement of headset: Length (45.2mm)*Width (8.9mm)*High (31.8mm), headset label: Length(3.0mm) *Width(22mm), box label: Length(3.0mm)*Width(22.0mm), box :Length(62.5mm)*Width(71.8mm)*High (34.6mm). Refer to the above quote, as the headset are too small for the FCC ID label to be printed, so the FCC ID label will be moved to the Box. For details, please see below photos:

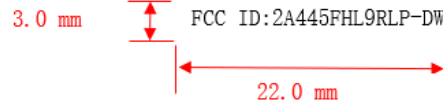
Headset size and photo :



Box size and photo:



Label:



Sincerely,

Signature: *Ula Yang*

Printed Name: Ula Yang

Title: RA Engineer