

Austar Hearing Science and Technology (Xiamen) Co., Ltd.
Add: B8, Biomedical Industrial Park, NO.2064 Wengjiao West Road, Haicang District, Xiamen, Fujian, China
Tel: +86-18650110816 Fax: +86-0592-5970067
Email: yangyiqun@austar-hearing.com

DECLARATION OF SIMILARITY

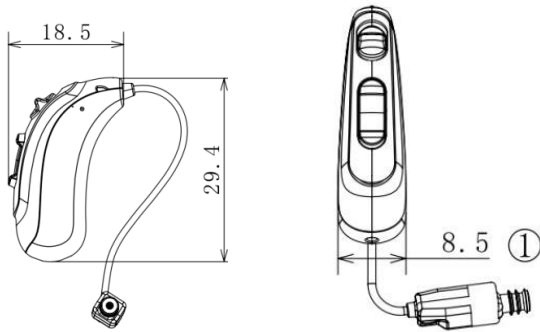
Date: 2024-03-04

FEDERAL COMMUNICATIONS COMMISSION
Authorization and Evaluation Division
7435 Oakland Mills Road
Columbia, MD 21046

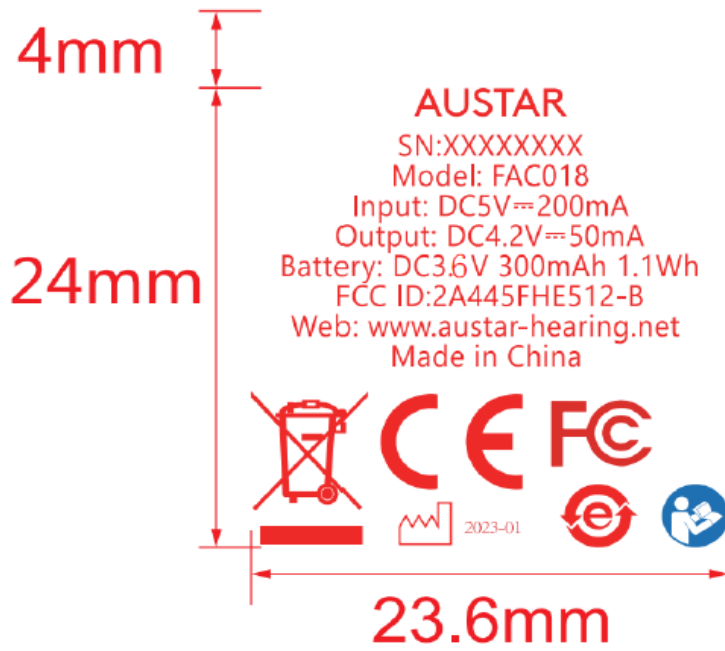
Dear Sir or Madam:

We, Austar Hearing Science & Technology (Xiamen) Co., Ltd. , product: TWS EARBUDS, hereby submits FCC ID: 2A445FHE512-B justification for placing the FCC ID label to Charge box. According to the FCC Regulation and Guidance (KDB Publication 784748 D01 v09R01) allows for the FCC ID to be removed to Charge box if the device is Unquestionably too small for the FCC ID label to be printed.

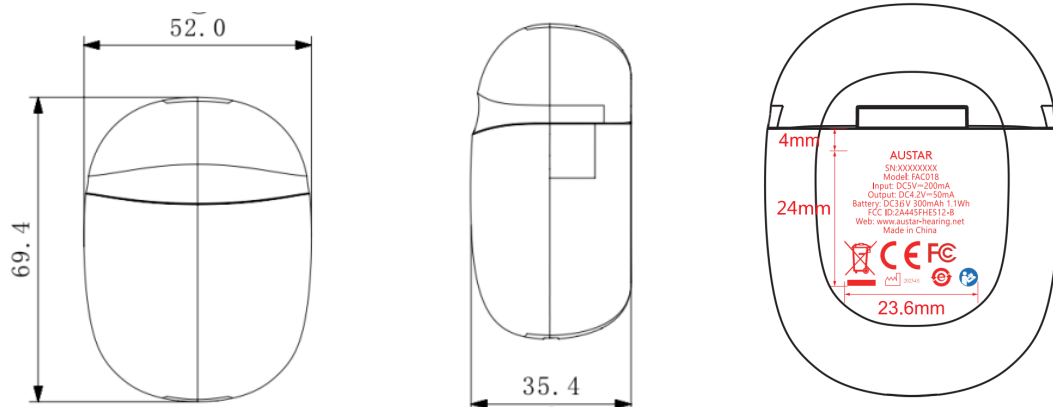
The measurement of headset: Length (29.4mm)*Width (18.5mm)*High (8.5mm), The label width is 23.5mm, Referring to the above quote, as the headset are too small for the FCC ID label to be printed, so the FCC ID label will be moved to the Charge box. Below photo will show the detail:
Headset Dimension:



Label Dimension:



Charge box Dimension:



Signature: *Ula Yang*
Printed Name: Ula Yang
Title: RA Engineer