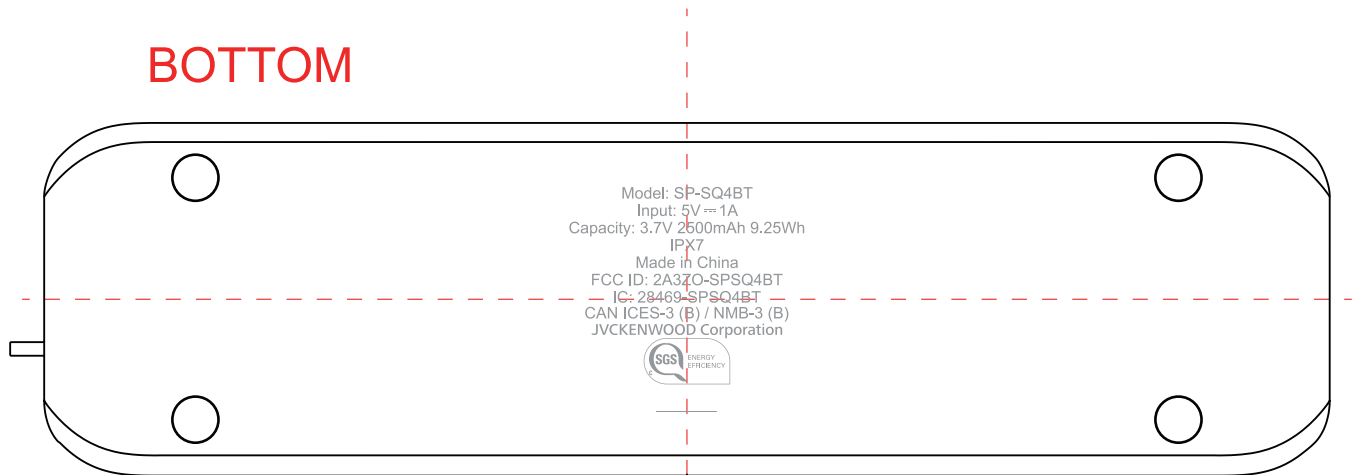


● PANTONE COOL GRAY 7 C

BOTTOM



Model: SP-SQ4BT
Input: 5V \rightarrow 1A
Capacity: 3.7V 2500mAh 9.25Wh
IPX7
Made in China
FCC ID: 2A3ZO-SPSQ4BT
IC: 28469-SPSQ4BT
CAN ICES-3 (B) / NMB-3 (B)
JVCKENWOOD Corporation



Model: SP-SQ4BT
Input: 5V \rightarrow 1A
Capacity: 3.7V 2500mAh 9.25Wh
IPX7
Made in China
FCC ID: 2A3ZO-SPSQ4BT
IC: 28469-SPSQ4BT
CAN ICES-3 (B) / NMB-3 (B)
JVCKENWOOD Corporation



29.7 mm

31 mm

● PANTONE COOL GRAY 7 C